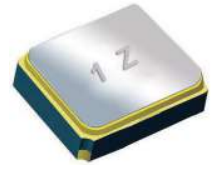


# Surface Mount 915.00MHz SAW Filter

AFS14A26-915.00-T2



1.4 x 1.1 x 0.7 mm

## FEATURES:

- 1.4 x 1.1 x 0.7 mm low profile SMT package
- Low Insertion loss
- Excellent selectivity with high out-of-band rejection

## APPLICATIONS:

- Wireless Communication
- Remote Control
- Cellular Phones

## ELECTRICAL SPECIFICATIONS:

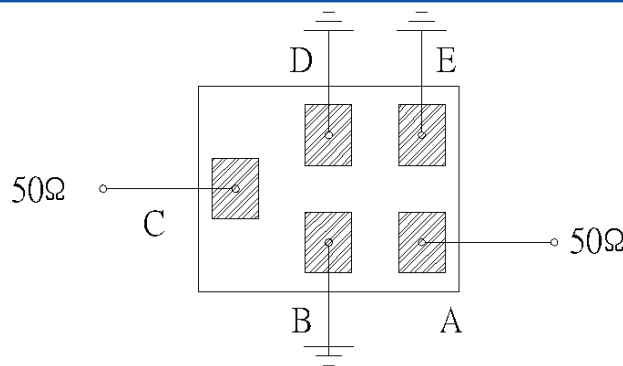
### Maximum Ratings

Item	Value
Input Power Level	+10 dBm max.
DC Permissive Voltage	3.0V DC max.
Operating Temperature Range	-30°C to + 85°C
Storage Temperature Range	-40°C to + 85°C

Parameters	Minimum	Typical	Maximum	Units	Notes
Center Frequency ( $f_c$ )		915.00		MHz	
Insertion Loss (IL)		2.5	3.1	dB	902 ~ 928MHz
3-dB Bandwidth		26		MHz	
Amplitude Ripple		0.4	1.5	dB	902 ~ 928MHz
Group Delay Variation		15	50	ns	902 ~ 928MHz
Worst-Case Input / Output Return Loss	9.0	10.0		dB	902 ~ 928MHz
Stop-band Attenuation (Referenced to 0.0 dB)	50	53		dB	0.1~702 MHz
	49	53			738~764 MHz
	42	48			820~846 MHz
	42	50			990~1010 MHz
	49	53			1072~1092 MHz
	40	42			1128~1804 MHz
	40	42			1804~1856 MHz
	30	36			1856~3000 MHz
Source Impedance ( $Z_S$ )		50		$\Omega$	See note # 1
Load Impedance ( $Z_L$ )		50		$\Omega$	See note # 1

**Note #1:** No matching network required for operation into 50 $\Omega$ 's

## TEST CIRCUIT:

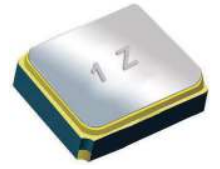


# Surface Mount 915.00MHz SAW Filter

AFS14A26-915.00-T2

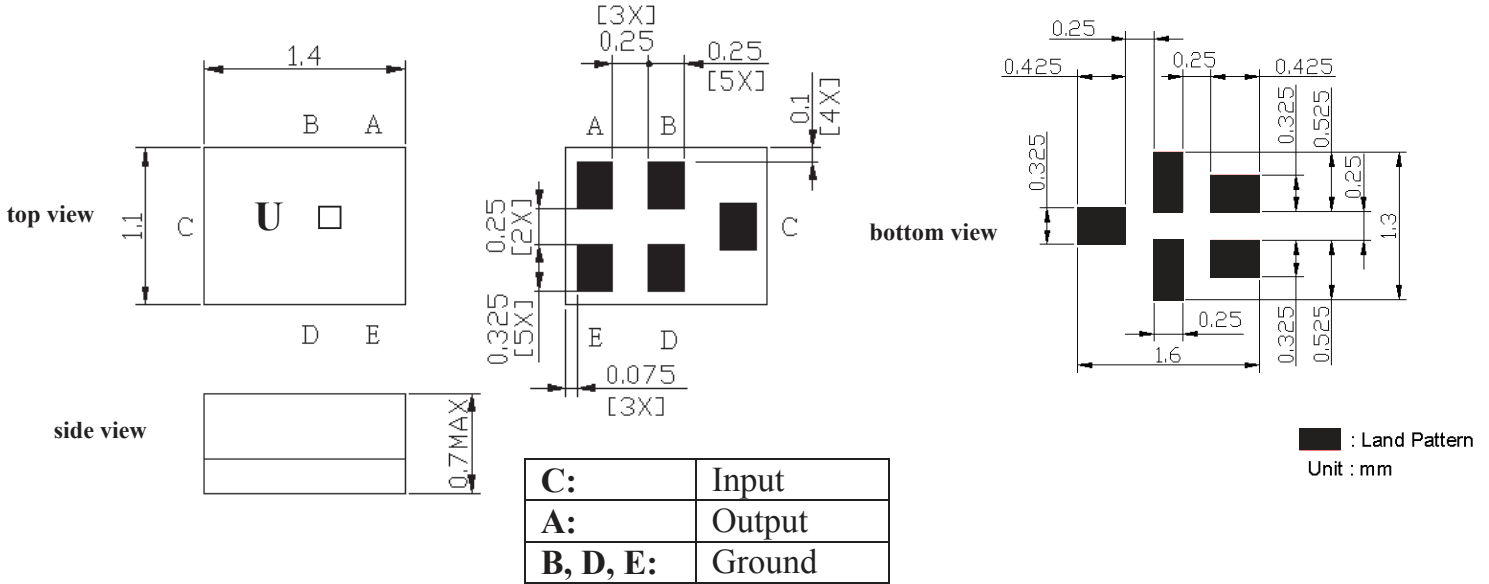


**RoHS**  
Compliant



1.4 x 1.1 x 0.7 mm

## OUTLINE DIMENSIONS:



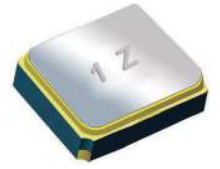
\*All Dimensions are in mm

### □ Year/Month Code (Follow the table)

Year/Month	1	2	3	4	5	6	7	8	9	10	11	12
2009	A	B	C	D	E	F	G	H	J	K	L	M
2010	N	P	Q	R	S	T	U	V	W	X	Y	Z
2011	A	B	C	D	E	F	G	H	J	K	L	M
2012	N	P	Q	R	S	T	U	V	W	X	Y	Z
2013	A	B	C	D	E	F	G	H	J	K	L	M
2014	N	P	Q	R	S	T	U	V	W	X	Y	Z

# Surface Mount 915.00MHz SAW Filter

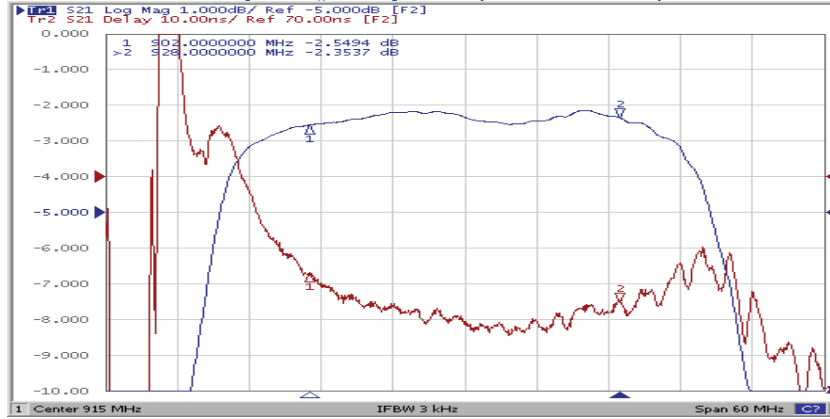
AFS14A26-915.00-T2



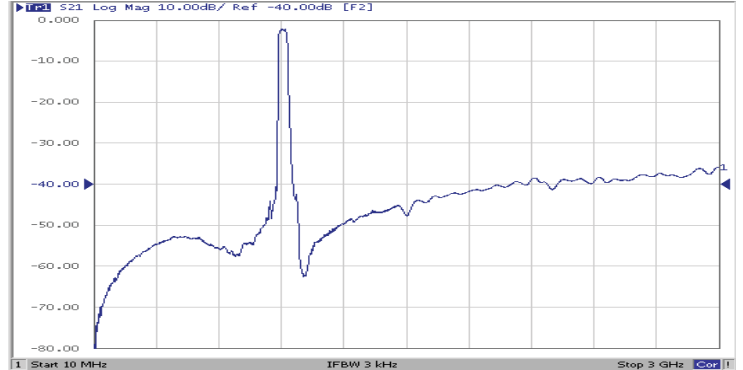
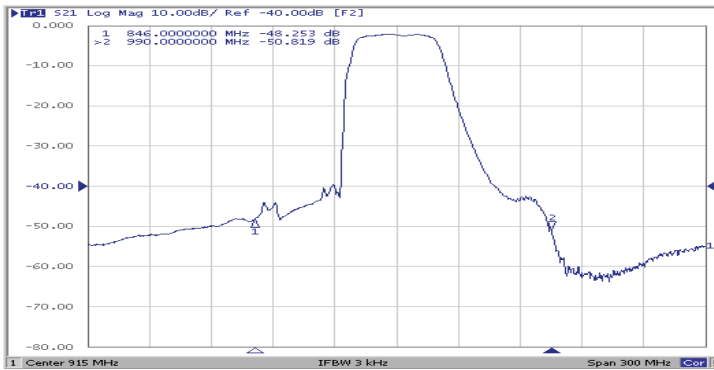
1.4 x 1.1 x 0.7 mm

## FREQUENCY CHARACTERISTICS:

Filter Frequency Response (Narrowband)

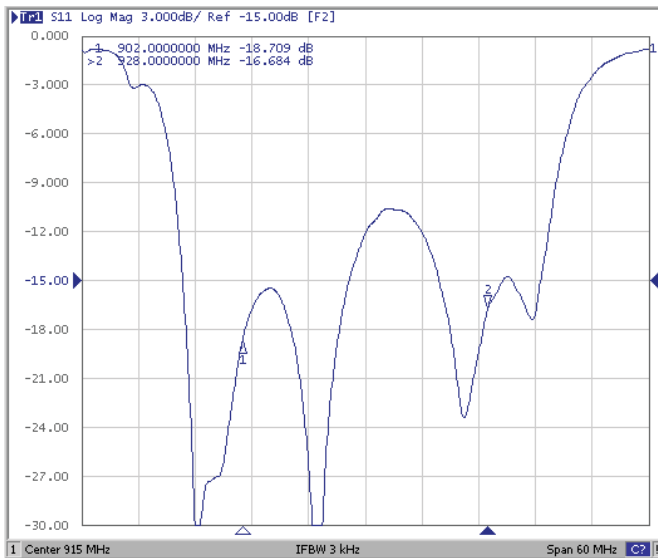


Filter Frequency Response (Wideband)

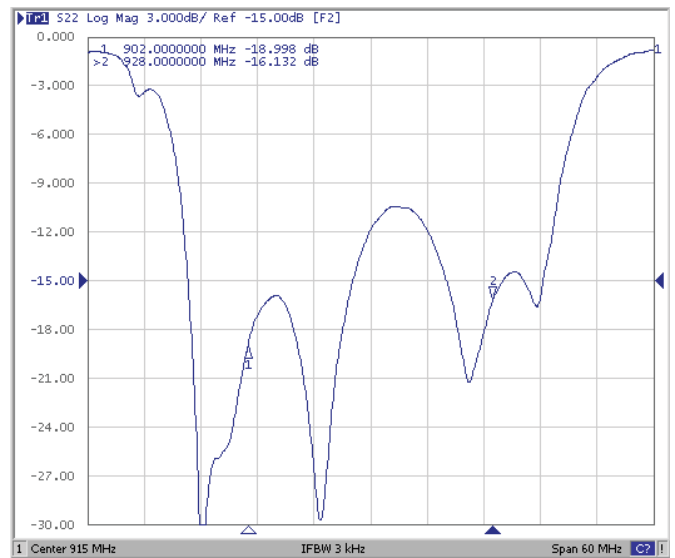


## REFLECTION FUNCTIONS:

S11



S22



ABRACON IS  
ISO 9001:2008  
CERTIFIED



Visit [www.abracon.com](http://www.abracon.com) for Terms & Conditions of Sale  
30332 Esperanza, Rancho Santa Margarita, California 92688  
tel 949-546-8000 | fax 949-546-8001 | [www.abracon.com](http://www.abracon.com)

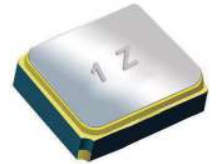
Revised: 06.21.12

# Surface Mount 915.00MHz SAW Filter

AFS14A26-915.00-T2

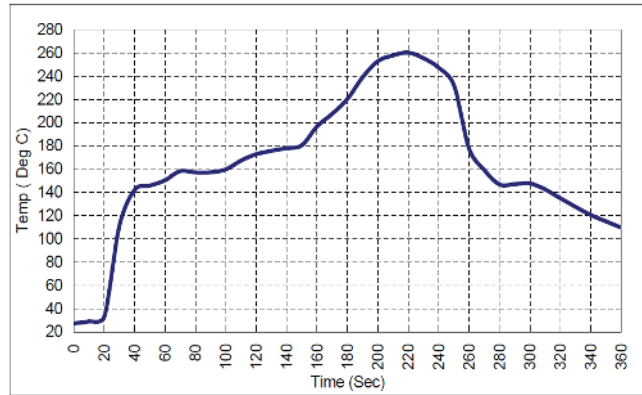


RoHS  
Compliant



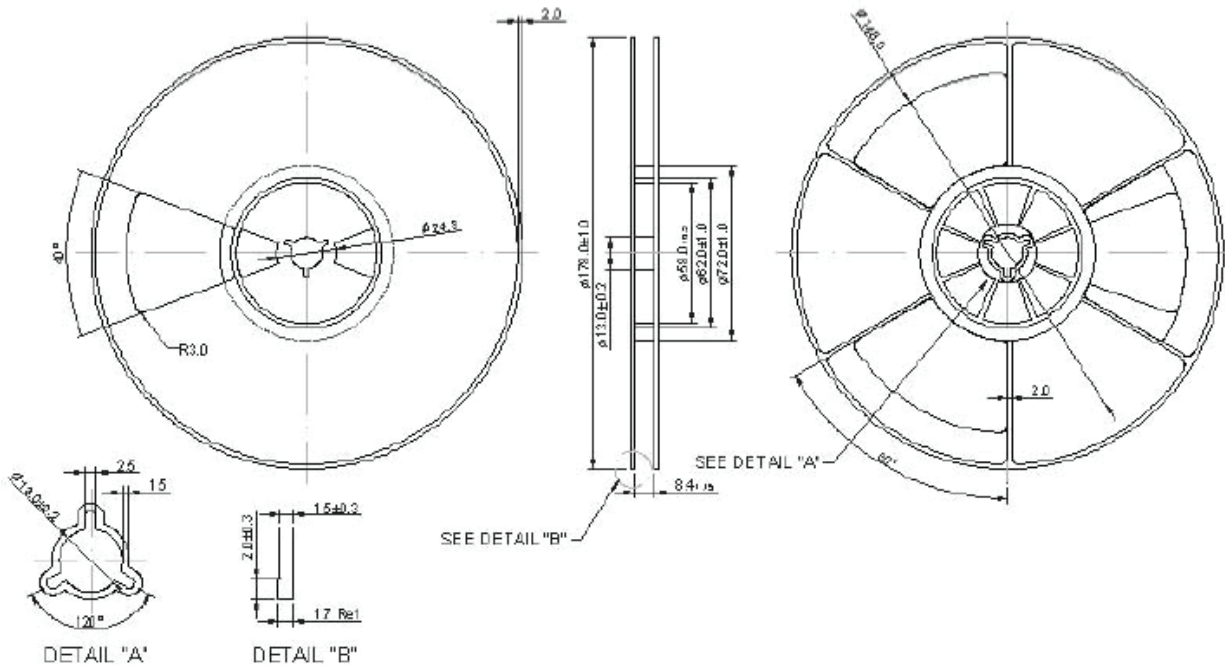
1.4 x 1.1 x 0.7 mm

## REFLOW PROFILE:



## PACKAGING: 2000 Units/Reel

Reel Count : 7" = 2k units



**ATTENTION:** Abracon Corporation's products are COTS – Commercial-Off-The-Shelf products; suitable for Commercial, Industrial and, where designated, Automotive Applications. Abracon's products are not specifically designed for Military, Aviation, Aerospace, Life-dependant Medical applications or any application requiring high reliability where component failure could result in loss of life and/or property. For applications requiring high reliability and/or presenting an extreme operating environment, written consent and authorization from Abracon Corporation is required. Please contact Abracon Corporation for more information.

ABRACON IS  
ISO 9001:2008  
CERTIFIED



Visit [www.abracon.com](http://www.abracon.com) for Terms & Conditions of Sale  
30332 Esperanza, Rancho Santa Margarita, California 92688  
tel 949-546-8000 | fax 949-546-8001 | [www.abracon.com](http://www.abracon.com)

Revised: 06.21.12