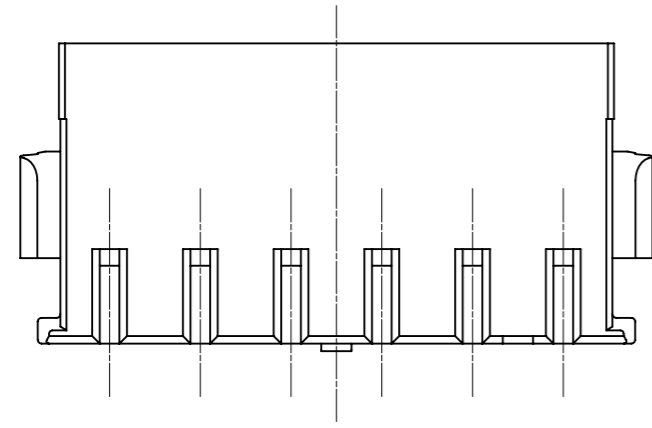
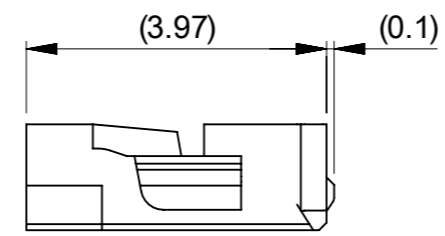
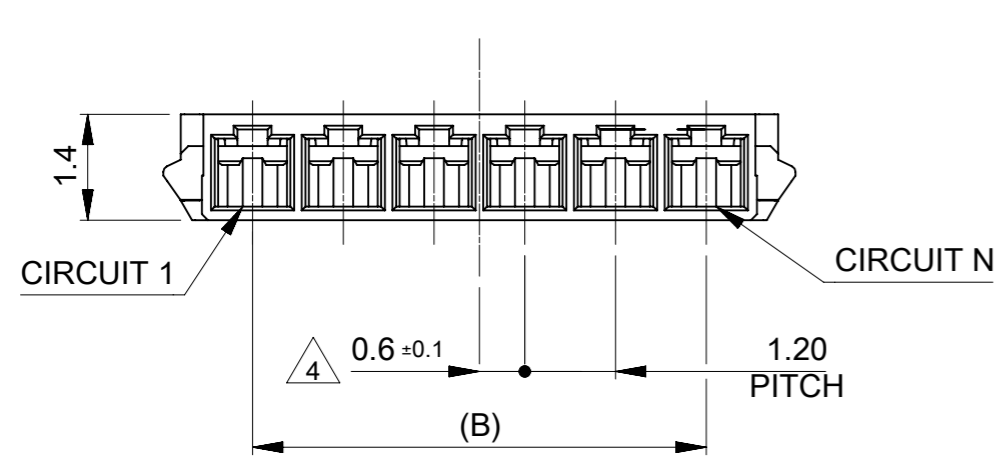
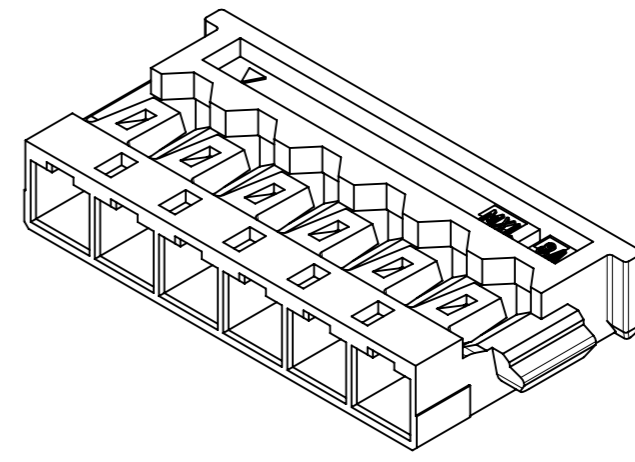
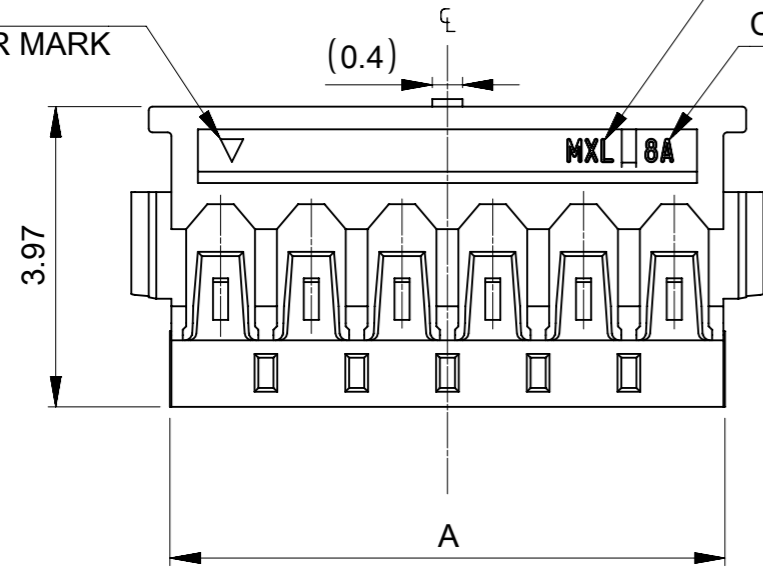


CIRCUIT 1
INDICATOR MARK

トレードマーク
TRADE MARK
CAV & MOLD No



NOTES

- 1 材料：TABLE 1 参照
MATERIAL：SEE TABLE 1
- 2 適合製品及び各種仕様書はSHEET 2をご参考ください。
PLEASE REFER TO SHEET 2 FOR APPLICABLE PRODUCTS AND VARIOUS SPECIFICATIONS.
- 3 極数極に適応。
APPLY FOR EVEN CIRCUIT SIZE.
- 4. ELV及びRoHS適合品。
ELV & RoHS COMPLIANT.

1 TABLE 1

部品 PART	材質 MATERIAL
ハウジング HOUSING	ポリアミド(PA), ガラス充填, UL94 V-0 色 : 黒 POLYAMIDE(PA), GLASS FILLED, UL94 V-0, COLOR: BLACK

7.2	8.54	781725007	7
6.0	7.34	781725006	6
B	A	オーダー番号 ORDER No	極数 CIRCUIT SIZE
		梱包形態:ポリ袋 PACKAGING:POLYBAG	

THIS DRAWING CONTAINS INFORMATION THAT IS PROPRIETARY TO MOLEX ELECTRONIC TECHNOLOGIES, LLC AND SHOULD NOT BE USED WITHOUT WRITTEN PERMISSION

DIMENSION UNITS mm	SCALE NTS	CURRENT REV DESC: REDRAWN		molex		
GENERAL TOLERANCES (UNLESS SPECIFIED)		EC NO: 677114				
ANGULAR TOL ± 3.0 °	4 PLACES ± 0.2	DRWN: HHUSSIN	2020/09/30	PRODUCT CUSTOMER DRAWING		
3 PLACES ± 0.2	2 PLACES ± 0.2	CHK'D: SAKIYAMA	2022/06/06	DOCUMENT NUMBER		
1 PLACE ± 0.2	0 PLACES ± 0.2	APPR: AIDA	2022/06/07	781720001-SD		
DRAFT WHERE APPLICABLE MUST REMAIN WITHIN DIMENSIONS		THIRD ANGLE PROJECTION		DRAWING	SERIES	MATERIAL NUMBER
		A3-SIZE		78172	78172	SEE CHART
		GENERAL		CUSTOMER		SHEET NUMBER
		GENERAL		GENERAL		1 OF 2

△ 2 適合製品及び各種仕様書
 APPLICABLE PRODUCTS AND VARIOUS SPECIFICATIONS

梱包仕様書 PACKAGING SPECIFICATION	PART NUMBER		SPECIFICATION NUMBER
	78172500*		SPK-78172-002
適合圧着端子 APPLICABLE CRIMP TERMINAL	PART NUMBER	PLATING TYPE	MATERIAL
	781720410	GOLD	りん青銅 PHOSPHOR BRONZE
	781720411		コルソン銅 CORSON COPPER
適合嵌合相手 MATE WITH	SMT		
製品番号 PART NUMBER	GOLD PLATING		
製品仕様書 PRODUCT SPECIFICATION	78171500*		
アプリケーション仕様書 APPLICATION SPECIFICATION	781710000-PS PS 000		
	AS-78172-001		

製品嵌合図は嵌合相手図面参照のこと。
 MATING VIEW: REFER TO "MATE WITH" PART DRAWINGS.

THIS DRAWING CONTAINS INFORMATION THAT IS PROPRIETARY TO MOLEX ELECTRONIC TECHNOLOGIES, LLC AND SHOULD NOT BE USED WITHOUT WRITTEN PERMISSION									
DIMENSION UNITS	SCALE	CURRENT REV DESC: REDRAWN					molex		
mm	NTS								
GENERAL TOLERANCES (UNLESS SPECIFIED)							PICO-EZMATE 1.2 WIRE TO BOARD CONNECTOR 6-7 CKT RECEPTACLE HOUSING		
ANGULAR TOL	± 3.0 °						PRODUCT CUSTOMER DRAWING		
4 PLACES	± 0.2	EC NO: 677114							
3 PLACES	± 0.2	DRWN: HHUSSIN			2020/09/30				
2 PLACES	± 0.2	CHK'D: SAKIYAMA			2022/06/06				
1 PLACE	± 0.2	APPR: AIDA			2022/06/07				
0 PLACES	± 0.2	INITIAL REVISION:							
		DRWN: HHUSSIN			2020/09/30	DOCUMENT NUMBER	DOC TYPE	DOC PART	REVISION
		APPR: AIDA			2022/06/07	781720001-SD	PSD	000	A
DRAFT WHERE APPLICABLE MUST REMAIN WITHIN DIMENSIONS		THIRD ANGLE PROJECTION	DRAWING	SERIES	MATERIAL NUMBER	CUSTOMER		SHEET NUMBER	
			A3-SIZE	78172	SEE CHART	GENERAL		2 OF 2	