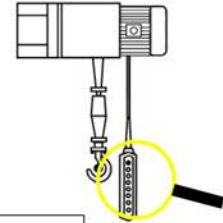














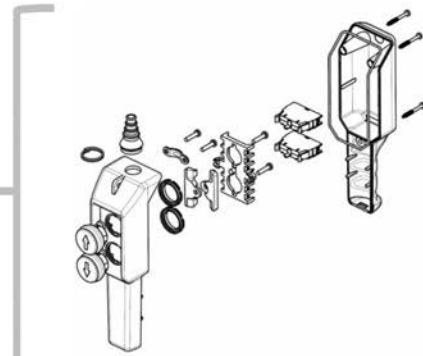
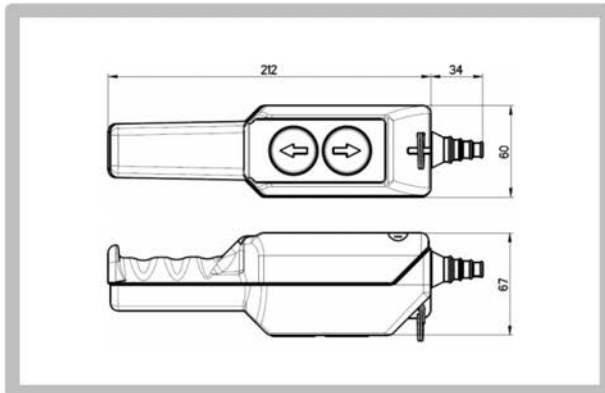
### Characteristics:

- Bi-directional, mechanically interlocked
- IP 65 double insulation IEC/EN60529
- Laser engraved symbols comply with EN60204-1, FEM 9.941
- Shock proof and heat resistant

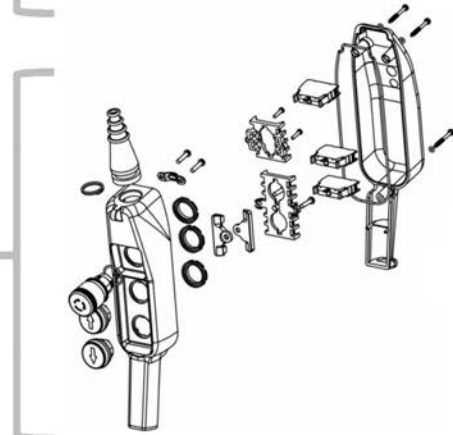
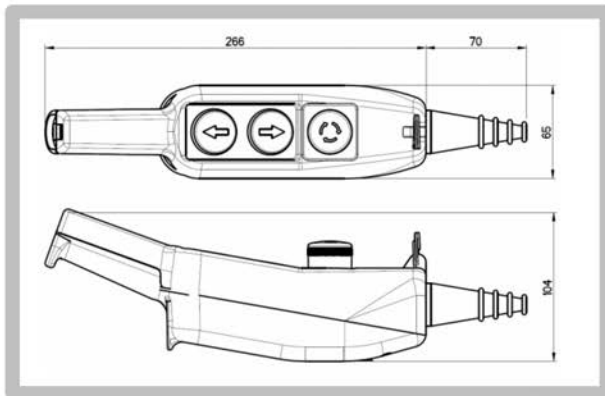


PICTURE	LAYOUT	CONFIGURATION	CODE	CONTACT TYPE		WEIGHT [gr]
				NO	NC	
		SINGLE SPEED (* TILTING BUTTON 16A – 250Vac ½ HP)	<b>P02.RM</b>	1 NO*	1 NO*	230
		SINGLE SPEED	<b>P02.1</b>	2 NO	2 NO	230
			<b>P02.2</b>	2 NO	2 NO	250
			<b>P02.4</b>	2 NO	2 NO	250
		(* HIGH POWER CONTACTS DIRECT MOTOR CONTROL 1Kw 1ph	<b>P02.CD</b>	2 NO (*)	2 NO (*)	230
<b>P02.D2</b>			2 NO	2 NO	250	
		SINGLE SPEED	<b>P03.1</b>	2 NO	2 NO	440
			<b>P03.2</b>	2 NO	2 NO	450
			<b>P03.3</b>	2 NO	2 NO	460
			<b>P03CD</b>	2 NO (*)	2 NO (*)	460
		TWO SPEED	<b>P03D2</b>	2 NO	2 NO	460
		SINGLE SPEED	<b>HP03</b>	2 NO	2 NO	330
		TWO SPEED	<b>HP03.D2</b>	2 NO	2 NO	350
		(* 1th 25A EXTRA HIGH POWER CONTACTS BLOCK FOR DIRECT MOTOR CONTROL : 2.2kW 1ph / 4kW 3ph	<b>DC30</b>	3 NO	3 NO	600
			<b>DC30.RG</b>	4 NO	4 NO	600
			<b>DC30.GE</b>	3 NO	3 NO	600
			<b>DC30D2</b>	2 NO	2 NO	650

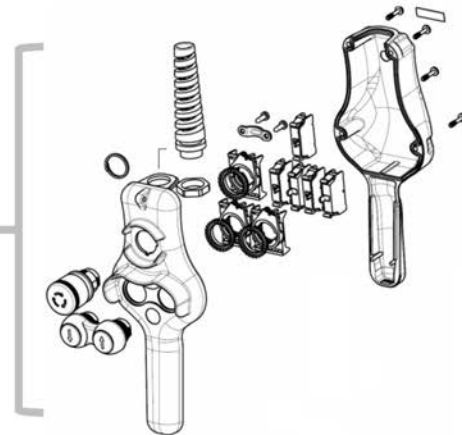
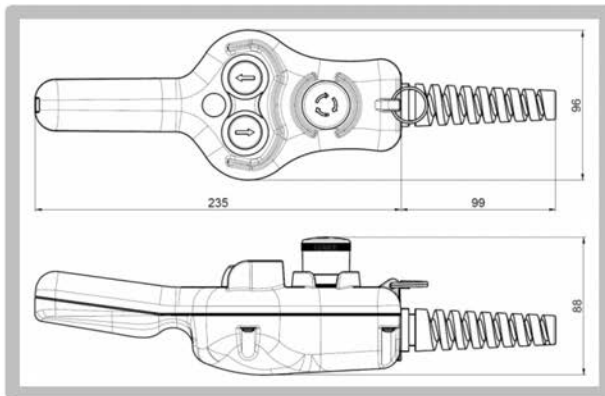
**P02**



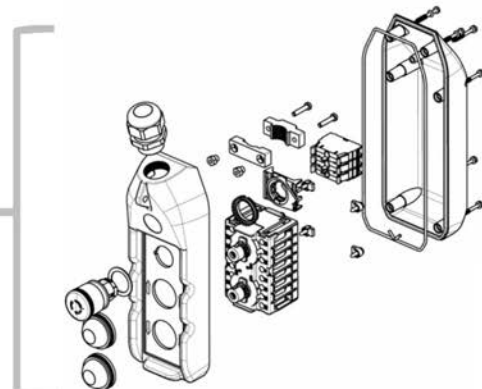
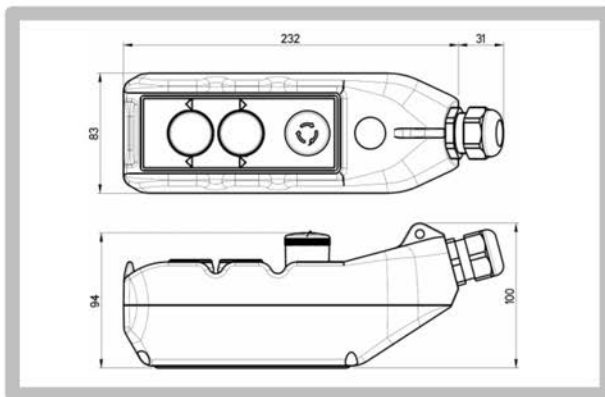
**P03**



**HP03**



**DC30**



General characteristics		P02 – P03 – HP03 – PLN – PLBN – TLP								DC30	
In conformity to standards		IEC / EN60947-5-1								IEC / EN60947-3	
Material	P02	P03	HP03	PL	PLB	TLP				ABS	
	PP	ABS	ABS	ABS	ABS	PP					
Material group		II								II	
Pollution class		3								3	
Climate temperature	operating	-25°C + 70°C								-25°C + 70°C	
	storage	-30°C + 70°C								-30°C + 70°C	
Climate resistance	IEC68 part 2-3	hot damp								hot damp	
	IEC68 part 2-30	unsettled hot damp								unsettled hot damp	
Cable entry		<ul style="list-style-type: none"> <li>▪ P02 – P03: rubber cable sleeve Ø7...18mm</li> <li>▪ PL – PLB: rubber cable sleeve Ø9...24mm</li> <li>▪ HP03: spiral cable gland M20 – TLP: cable gland M20</li> </ul>								cable gland M25	
Electrical characteristics contact blocks		P02 – P03 – HP03 – PLN – PLBN – TLP								DC30	
Markings											
Rated insulation voltage [Ui]		690V								500V	
Rated thermal current [Ith]		16A								25A	
Rated impulse withstand voltage [Uimp]		4kV								4kV	
Frequency		50Hz – 50/60 Hz type PCW (HP03-TLP)								50Hz	
Rated operating current [Ie]											
AC-15 alternate current		(V)	24	60	110	240	400	440	500	690	
	type: PL004.. P02/P03/DC30 e-stop/PLN/PLBN	(A)	16	12	8	6	4	3.5	3	1	-
	type: PCW.. HP03-TLP	(A)	10	8	6	5	4	4	4	2	-
DC-13 direct current		(V)	24	48	60	110	220	250			
	type: PL004.. P02/P03/DC30 e-stop/PL/PLBN	(A)	2	1.2	0.85	0.4	0.25	-			-
	type: PCW.. HP03-TLP	(A)	2	2	1	0.4	-	0.4			-
AC-3 alternate current	1phase-2poles 230V-400V									2.2kW	
	3phase-3poles 230V-400V									3kW	
Conditional short circuit withstand current		1000A								1000A	
Fuse rating		gG 10A - 500V								aM 12A - 500V	
Contact insulation resistance		≤ 25mΩ								-	
Switching mechanism	type: PL004.. P02/P03/DC30 e-stop/PLN/PLBN	slow break double gap contacts single pad								slow break double gap contacts single pad	
	type: PCW.. HP03-TLP	slow break double gap contacts three pads									
Positive operation		NC contact block 								-	
Terminal type	type: PL004.. P02/P03/DC30 e-stop/PLN/PLBN	M3.5 screw								M3.5 screw	
	type: PCW.. HP03-TLP	spring cage terminal									
Terminal capacity	type: PL004.. P02/P03/DC30 e-stop/PLN/PLBN	No. 1 or 2 flexible and solid conductor min 1 max 2.5 mm <sup>2</sup>								No. 1 or 2 flexible and solid conductor min 1 max 2.5 mm <sup>2</sup>	
	type: PCW.. HP03-TLP	No. 1 or 2 flexible and solid conductor min 0.5 max 2.5 mm <sup>2</sup>									
UL508 characteristics											
General use	600V ac	16A								-	
Designation code (HD) Heavy Duty		A600-Q600								-	

