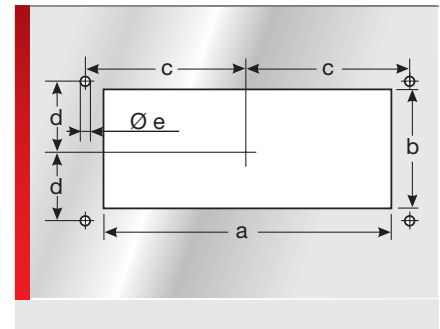
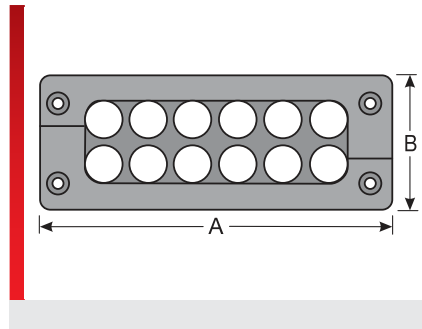


Type KDL/C cable entry system



KDL/C -/D -/H cable entry system

PRODUCT INFORMATION

The KDL/C cable entry system is used for inserting pre-assembled cables. The KDL/C system is a splittable system that enables the quick and simple installation of up to 48 pre-assembled cables with a high packing density in control cabinets and terminal boxes.

- Uninterrupted cable guidance
- Easy assembly
- Integrated strain relief
- Fits standard cut-out dimensions
- Protection class IP 54
- Matching grommet: KDT/X

SPECIFICATIONS

- Frame: Polypropylene (PP)
Block: TPE
- 30 – 100 °C
- IP 54 (with suitable grommets and cables)
- V0

Type	Order No.	Colour	No. Openings Small / medium / large	MOQ qty.
For standard cut-out size 24				
KDL/C 24/12 ¹⁾	87141012	Black	12 / 0 / 0	1
KDL/C 24/9	87141024	Black	8 / 1 / 0	1
KDL/C 24/8	87141020	Black	6 / 2 / 0	1
KDL/C 24/4	87141016	Black	0 / 4 / 0	1
For standard cut-out size 16				
KDL/C 16/8 ¹⁾	87141028	Black	8 / 0 / 0	1
KDL/C 16/7	87141032	Black	6 / 1 / 0	1
KDL/C 16/3	87141036	Black	0 / 3 / 0	1
For standard cut-out size 10				
KDL/C 10/6 ¹⁾	87141040	Black	6 / 0 / 0	1
KDL/C 10/5	87141043	Black	4 / 1 / 0	1
KDL/C 10/2	87141041	Black	0 / 2 / 0	1
For standard cut-out size 6				
KDL/C 6/4 ¹⁾	87141046	Black	4 / 0 / 0	1
¹⁾ UL type 12				


Type KDL/C cable entry system

KDL/C -/D -/H cable entry system

DIMENSION TABLE


Type	Order No.	Installation height (EH) mm	A mm	B mm	a mm	b mm	c mm	d mm	e mm
For standard cut-out size 24									
KDL/C 24/12 ¹⁾	87141012	15.00	148.00	58.00	112.00	36.00	65.00	16.00	5.50
KDL/C 24/9	87141024	15.00	148.00	58.00	112.00	36.00	65.00	16.00	5.50
KDL/C 24/8	87141020	15.00	148.00	58.00	112.00	36.00	65.00	16.00	5.50
KDL/C 24/4	87141016	15.00	148.00	58.00	112.00	36.00	65.00	16.00	5.50
For standard cut-out size 16									
KDL/C 16/8 ¹⁾	87141028	15.00	121.00	58.00	86.00	36.00	51.50	16.00	5.50
KDL/C 16/7	87141032	15.00	121.00	58.00	86.00	36.00	51.50	16.00	5.50
KDL/C 16/3	87141036	15.00	121.00	58.00	86.00	36.00	51.50	16.00	5.50
For standard cut-out size 10									
KDL/C 10/6 ¹⁾	87141040	15.00	101.00	58.00	65.00	36.00	41.50	16.00	5.50
KDL/C 10/5	87141043	15.00	101.00	58.00	65.00	36.00	41.50	16.00	5.50
KDL/C 10/2	87141041	15.00	101.00	58.00	65.00	36.00	41.50	16.00	5.50
For standard cut-out size 6									
KDL/C 6/4 ¹⁾	87141046	15.00	74.00	58.00	46.00	36.00	29.00	16.00	5.50
¹⁾ UL type 12									

MATERIAL PROPERTIES

 Frame: Polypropylene (PP)
Block: TPE

 **Temperature / temperature range**
-30 – 100 °C

MECHANICAL PROPERTIES

 **Protection class**
IP 54 (with suitable grommets and cables)

Type KDL/C cable entry system

FIRE PROPERTIES



Fire classification

V0

Flammability classification

TECHNICAL INFORMATION



LABS free



According to EN -2-1

CONFORMITY



RoHS (EC Directive 2011/65/EU)

APPROVALS AND OPERATING PERMITS



UR approval



UL type 12



Made in Germany

All details given in our sales brochures and catalogues, as well as the information available online, are based on our current knowledge of the products described.

The electronic data and files made available by Murrplastik, particularly CAD files are based on our current knowledge of the product described.

A legally binding assurance of certain properties or the suitability for a certain purpose can not be determined from this information.

All information with respect to the chemical and physical properties of Murrplastik products, as well as application advice given verbally, in writing or by tests, is given to the best of our knowledge.

They do not release the buyer from the obligation to carry out his own tests and trials in order to determine the concrete suitability of the products for the intended purpose.

Murrplastik accepts no responsibility for the available information being up-to-date, correct or complete. Neither do we accept responsibility for the quality of this information.

Murrplastik accepts no liability for damage caused as a result of using our products.

Murrplastik reserves the right to make technical changes and improvements through constant further development of products and services.

Our General Terms and Conditions apply.

© Murrplastik Systemtechnik GmbH • proID_57667~20201025~890287~KDH_KDL_C