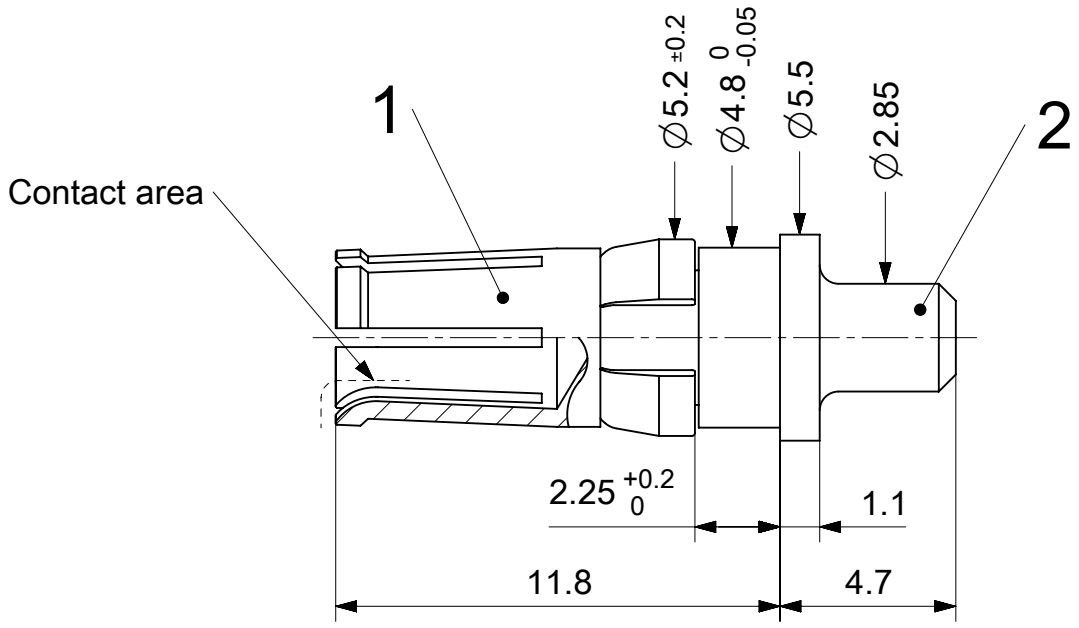


2:1



RoHS compliant
by exemption

1731120084	FMP010S104	104
1731120626	FMP010S105	105
1731120157	FMP010S203	203
Material Number	FCT Part Number	Material + Finish See extra sheet

UNLESS OTHERWISE SPECIFIED DIMENSIONS FOR REFERENCE ONLY		REPLACEMENT FOR DOCUMENT NUMBER: FMP010S	
FUNCTIONAL SYMBOLS	THIS DRAWING CONTAINS INFORMATION THAT IS PROPRIETARY TO MOLEX ELECTRONIC TECHNOLOGIES, LLC AND SHOULD NOT BE USED WITHOUT WRITTEN PERMISSION		
$\frac{F}{A} = 0$	DIMENSION UNITS	SCALE	CURRENT REV DESC:
$\frac{F}{E} = 0$	mm	5:1	
$\frac{F}{P} = 0$	GENERAL TOLERANCES (UNLESS SPECIFIED)		EC NO: 686935 DRWN: FVETTER 2021/11/29 CHK'D: MTEUBEL 2021/11/30 APPR: MTEUBEL 2021/11/30
DIVISIONAL SYMBOLS	ANGULAR TOL \pm °		
	4 PLACES	\pm	
	3 PLACES	\pm	
	2 PLACES	\pm	
	1 PLACE	\pm	INITIAL REVISION:
	0 PLACES	\pm	DRWN: VLOKESHA 2021/03/31
			APPR: MTEUBEL 2021/11/25
DRAFT WHERE APPLICABLE MUST REMAIN WITHIN DIMENSIONS		FIRST ANGLE PROJECTION	DRAWING
			A4-SIZE
		SERIES	173112
		MATERIAL NUMBER	SEE TABLE
		CUSTOMER	GENERAL MARKET
		DOC NUMBER	1731120084
		DOC TYPE	PSD
		DOC PART	000
		REVISION	A1
		SHEET NUMBER	1 OF 1