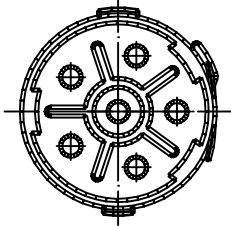
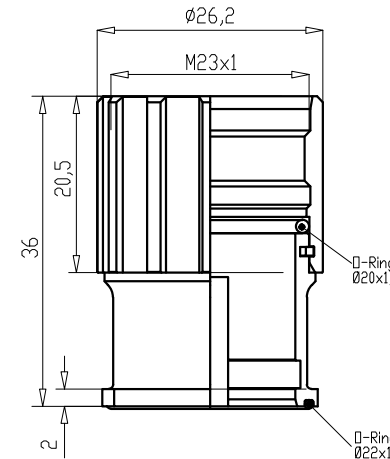
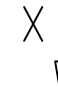
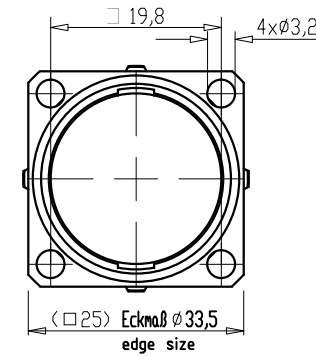
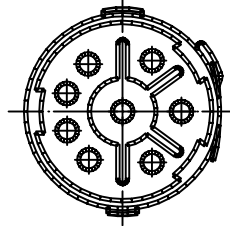


Views from "X"

6-Pole
(5+1)



8-Pole



	Cable Diameter	Crimp Contacts	Without Contacts
6 Pole (5+PE)		KRP6G00-103 1202340001	KRP6G00-003 1202340002
	Crimp range*	0,75-2,5mm ²	
8 Pole (4+3+PE)		KRP8G00-113 1202340003	KRP8G00-003 1202340004
	Crimp range*	0,25-1,0mm ² /0,75-2,5mm ²	

*Crimp range only applies to "Crimp Contacts" version

Notes:

Tolerances (unless specified): DIN ISO 2768 m

DESCRIPTION EC NO: IP/G2015-0907 DRWN: BBR/ALUCH 2014/11/18 CHKD: ZISMAYIL 2014/11/19 APPR: CBURGER	QUALITY SYMBOLS	GENERAL TOLERANCES (UNLESS SPECIFIED)	DIMENSION STYLE	SCALE	DESIGN UNITS	THIRD ANGLE PROJECTION
	$\nabla = 0$ $\nabla = 0$	mm INCH 4 PLACES ± --- ± --- 3 PLACES ± --- ± --- 2 PLACES ± 0.05 ± --- 1 PLACE ± 0.1 ± --- 0 PLACE ± --- ± --- ANGULAR ± --- °	MM	---	METRIC	
	REV	DRAFT WHERE APPLICABLE MUST REMAIN WITHIN DIMENSIONS	DRAWN BY DATE BB 2008/11/19 CHECKED BY DATE JKO 2008/12/09 APPROVED BY DATE ---	REC M23 XP FE STR FM 4 X Ø 3.2MM --- molex		
	2	SIZE A3	MATERIAL NO. see table DOCUMENT NO. SD-120234-001 SHEET NO. 1 OF 1	THIS DRAWING CONTAINS INFORMATION THAT IS PROPRIETARY TO MOLEX INCORPORATED AND SHOULD NOT BE USED WITHOUT WRITTEN PERMISSION		