

GN 136

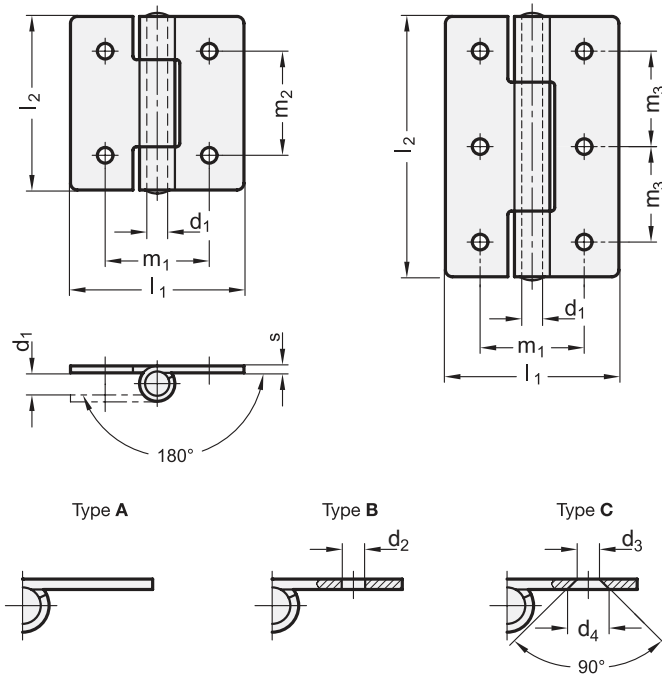
Steel / Stainless Steel

Sheet Metal Hinges

Square or Vertically Extended



JWWINCO
A Ganter Company



SS Stainless Steel

4 Type

- A Without bores (only stainless steel)
- B With through holes
- C With countersunk holes

Metric table

Dimensions in: millimeters - inches

| I ₁ | I ₂ | | d ₁ | d ₂ | d ₃ | d ₄ | m ₁ | m ₂ | m ₃ | s |
|----------------|----------------|---------------|----------------|----------------|----------------|----------------|----------------|----------------|----------------|-------------|
| | Square | 1.5x extended | | | | | | | | |
| 30 1.18 | 30 1.18 | 45 1.77 | 3 0.12 | 3.2 0.13 | 4 0.16 | 6.4 0.25 | 18 0.71 | 18 0.71 | 16.5 0.65 | 1.5 0.06 |
| 40 1.57 | 40 1.57 | 60 2.36 | 4 0.16 | 4.2 0.17 | 5 0.20 | 8.3 0.33 | 25 0.98 | 25 0.98 | 22.5 0.89 | 2 0.08 |
| 50 1.97 | 50 1.97 | 75 2.95 | 6 0.24 | 5.2 0.20 | 5 0.20 | 8.3 0.33 | 30 1.18 | 30 1.18 | 27.5 1.08 | 2 0.08 |
| 60 2.36 | 60 2.36 | 90 3.54 | 6 0.24 | 5.2 0.20 | 5 0.20 | 8.3 0.33 | 36 1.42 | 36 1.42 | 33 1.30 | 2 0.08 |

Specification

- Body
 - Steel, zinc plated, blue passivated finish **ST** (Only Type B and C)
 - Stainless steel AISI 304 **NI**
- Pin
 - Stainless steel AISI 304
 - Riveted
- Load Rating Information → page 2088
- Stainless Steel Characteristics → page 2143
- RoHS compliant

Information

- GN 136 sheet metal hinges are a low-cost option for light load applications.
- Type A can be assembled by welding or done via custom made holes in the hinge.
- see also...
- List of Hinge Types → page 1324
 - Sheet Metal Hinges GN 1362 (Stainless Steel, Weldable) → page 1340
 - Sheet Metal Hinges GN 1364 (Stainless Steel) → page 1341
 - Hinges GN 1366 (Steel Profile, Weldable) → page 1342

How to order

GN 136-NI-40-40-A

- 1 Material
- 2 Width I₁
- 3 Length I₂
- 4 Type