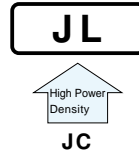


ELECTRIC DOUBLE LAYER CAPACITORS "EVerCAP®"



Screw Terminal Type, High Power Density Type

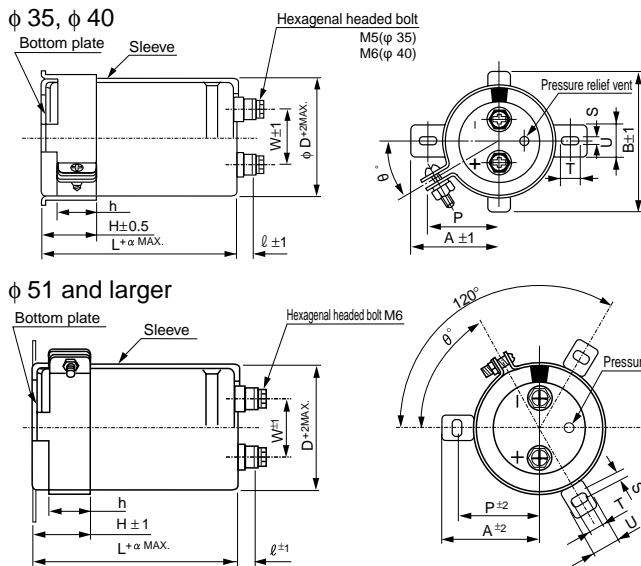
- High power density.
- Rapid charge-discharge.
- Suitable for regeneration and UPS applications.
- Adapted to the RoHS directive (2002/95/EC).



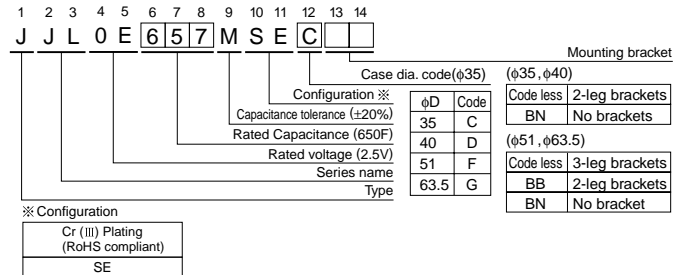
Specifications

Item	Performance Characteristics	
Category Temperature Range	- 25 to + 60°C	
Rated Voltage Range	2.5V	
Rated Capacitance Range	400 to 2600F See Note	
Capacitance Tolerance	±20% (20°C)	
Leakage Current	0.5C (mA) [C : Rated Capacitance (F)] (After 30 minutes' application of rated voltage. 2.5V)	
Stability at Low Temperature	Capacitance (-25°C) / Capacitance (+20°C) ×100 ≧ 70% DCR (-25°C) / DCR (+20°C) ≦ 7	
DCR*	Refer to the list below. (20°C) *DC internal resistance	
Endurance	The specifications listed at right shall be met when the capacitors are restored to 20°C after the rated voltage is applied for 2000 hours at 60°C.	
	Capacitance change	Within ±30% of initial value
	DCR	300% or less of initial specified value
Shelf Life	The specifications listed at right shall be met when the capacitors are restored to 20°C after storing the capacitors under no load for 2000 hours at 60°C.	
	Capacitance change	Within ±30% of initial value
	DCR	300% or less of initial specified value
Marking	Printed with white color letter on black sleeve.	
	Leakage current	Less than or equal to the initial specified value
	Leakage current	Less than or equal to the initial specified value

Drawing



Type numbering system (Example : 2.5V 650F)



Dimensions

Rated Voltage (Code)	Cap. (F)	Cap. code	DCR (mΩ)	Case size φD×L (mm)		Ref. Weight (g)
				φ D	L	
2.5V (0E)	400	407	7	35	85	130
	550	557	5		105	160
	650	657	4	40	135	210
	700	707	4		105	210
	850	857	3	51	135	250
	1500	158	2		135	450
	1600	168	2	63.5	150	500
	2600	268	1.6		150	800

Dimensions of terminal pitch(W) and length(ℓ) and Normal dia. of bolt (mm)

φ D	W	ℓ	α	Nominal of bolt
35	12.7	6	3	M5
40	18.8	9	3	M6
51	22.0	10	3	M6
63.5	28.6	10	3	M6

Dimensions of mounting bracket (mm)

Symbol	3-Legs				2-Legs		
	φD	51	63.5	35	40	51	63.5
P		32.5	38.1	24	27	33.2	40.5
A		38.5	43	29	32	40	46.5
B		-	-	45	48	-	-
T		7.5	8.0	7.0	7.0	6.0	7.0
S		5.0	5.0	3.5	3.5	4.5	4.5
U		12	14	10	10	14	14
θ°		60	60	30	45	30	30
H		20	25	15	17	25	35
h		15	20	10	12	15	20

Note :

The capacitance calculated from discharge time (ΔT) with constant current (i) after 30minute charge with rated voltage (2.5V).

The discharge current (i) is 0.01 × F (rated capacitance).

A discharge time (ΔT) measured between 2V and 1V with constant current.

The capacitance calculated bellow.

$$\text{Capacitance (F)} = i \times \Delta T$$

CAT.8100X