

THIS DRAWING IS UNPUBLISHED.

RELEASED FOR PUBLICATION

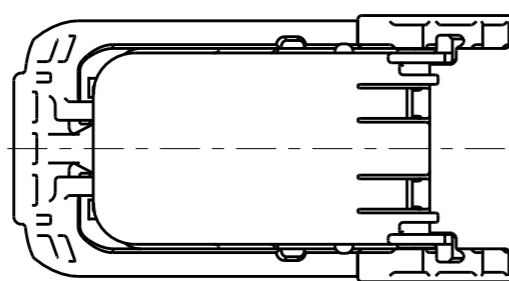
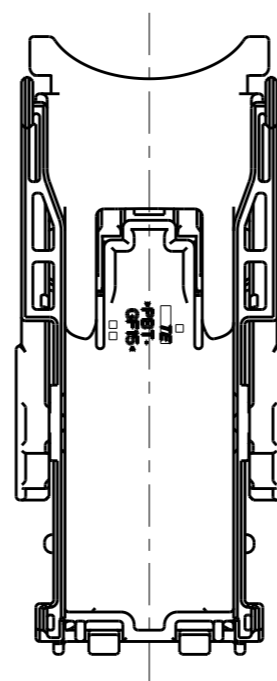
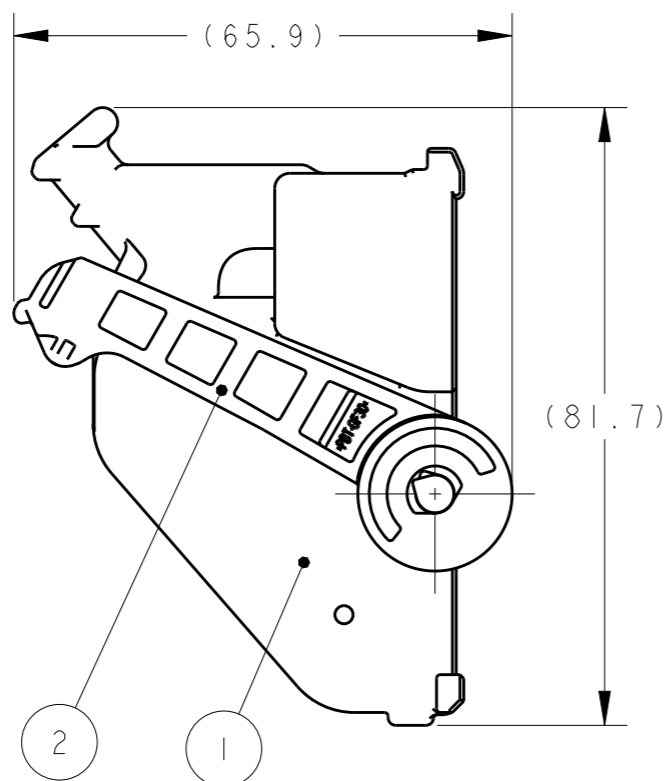
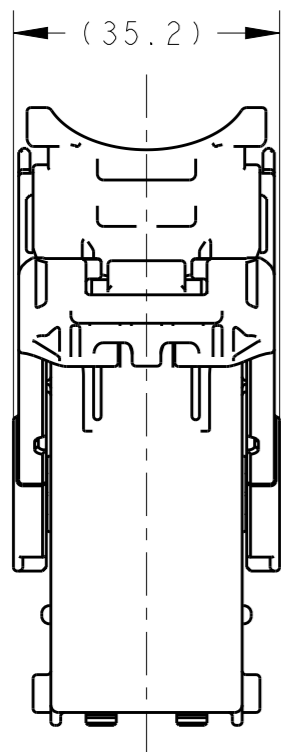
2013

© COPYRIGHT 2013 BY Tyco Electronics Japan G.K. ALL RIGHTS RESERVED.

REVISIONS

変更

P	LTR	DESCRIPTION	DATE	DWN	APVD
	A	RELEASED	25JUN18	ES	TK



1. APPLICABLE PLUG ASSEMBLY : 2303790-1  
 2. THIS PRODUCT IS SETUPED INTO PLUG ASSEMBLY BY CUSTOMER.

1. 組立相手プラグアセンブリ型番 : 2303790-1  
 2. 本製品は顧客にてプラグアセンブリと組立られる

1	GRAY	PBT GF	LEVER	2
1	BLACK	PBT GF	WIRE COVER	1
2303827-1	COLOR	MATERIAL	NAME	NO

THIS DRAWING IS A CONTROLLED DOCUMENT.	
DIMENSIONS: 単位: 概 mm	TOLERANCES UNLESS OTHERWISE SPECIFIED: 一般公差 ±0.3 0-PLC ± 1-PLC ±0.5 2-PLC ±0.13 3-PLC ±0.013 4-PLC ±0.0001 ANGLES ±3' 00"
MATERIAL 材料	FINISH 仕上
SEE TABLE	SEE TABLE

DWN	E. SASAKI	25JUN18
CHK	S. IWATANI	25JUN18
APVD	T. KIMURA	25JUN18
PRODUCT SPEC	108-140090-1	
APPLICATION SPEC	取付適用規格	
WEIGHT	32.6 g	
CUSTOMER DRAWING		

<b>STE</b> TE Connectivity			
NAME 名称 WIRE COVER ASSY 114POS TYPE2 SEALED 0.5/1.0/2.8 186POS SERIES カバーアセンブリ114極タイプ2, 防水0.5/1.0/2.8 186極			
SIZE	CAGE CODE	DRAWING NO	RESTRICTED TO
A3	00779	2303827	
SCALE 尺度 1:1		SHEET 1 OF 1	REV A