

The ECS-RTC-SOP8-5101A Low Cost Real Time Clock Module (I²C-Bus). Provides calendar (year, month, day, hour, minute, second), clock and timer functions based on external 32.768 kHz crystal.



OPERATING CONDITIONS / ELECTRICAL CHARACTERISTICS

PARAMETERS	CONDITIONS	ECS-RTC-3225-5699HS			UNITS
		MIN	TYP	MAX	
Power Supply Voltage	Normal mode	1.6	3.0	5.6	V
Power Supply Voltage	Time keeping	1.2	3.0	5.5	V
Backup Battery	VBAT	1.6	3.0	5.0	V
Current Consumption 3.0V			0.8	2.8	μA
Duty Cycle	t _w /t	40		60	%
Operating Temperature	T _{opr}	-40		+85	°C
Storage Temperature	T _{stg}	-55		+125	°C

- Low Current Consumption 0.8 μA Typical
- Time, Alarm, Interrupt
- Frequency Output
- Extended temp range

Block Diagram

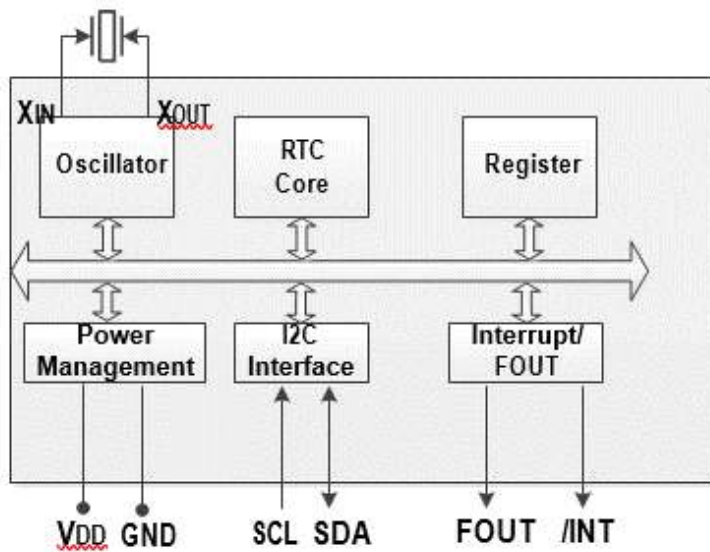


Figure 1) Top, and Side Views

PART NUMBER: ECS-RTC-SOP8-5101A-TR

Dimensions (mm)

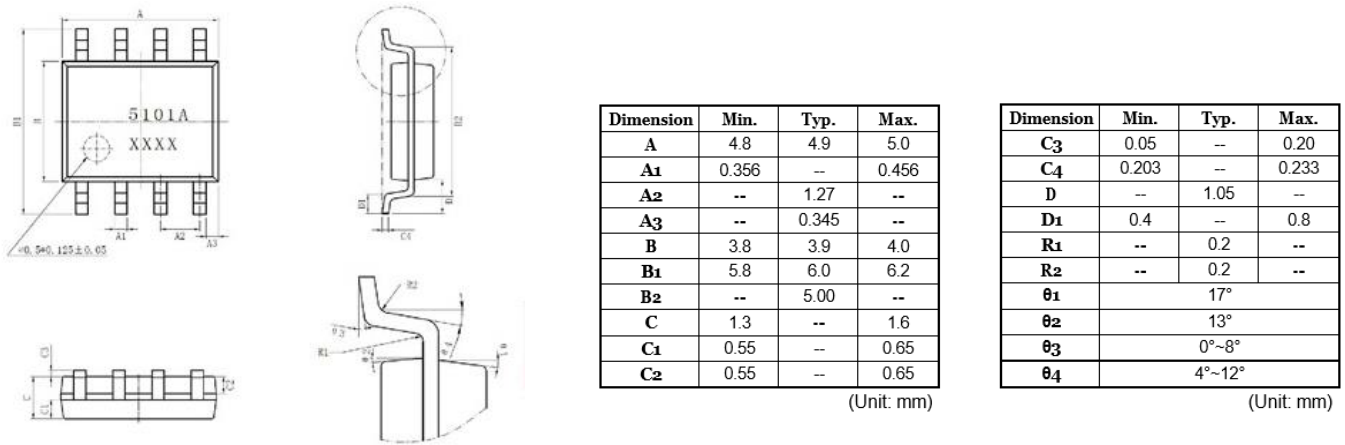


Figure 1) Top, Side, End View

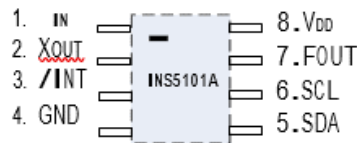


Table1. Pin Definition

Pin Number	Pin Name	I/O	Description
1	X _{IN}		Oscillator Input
2	X _{OUT}		Oscillator Output
3	/INT	Out	This pin can be configured as output of Alarm Timer. Time-update Interrupt or Frequency, effective when Low Voltage (Open-Drain)
4	GND	-	Ground
5	SDA	In/Out	I2C data signal
6	SCL	In	I2C clock signal
7	FOUT	Out	This pin can be configured as the output of timer or frequency, effective when Low Voltage (CMOS)
8	V _{DD}	-	Power in

Figure 2) Pin Function