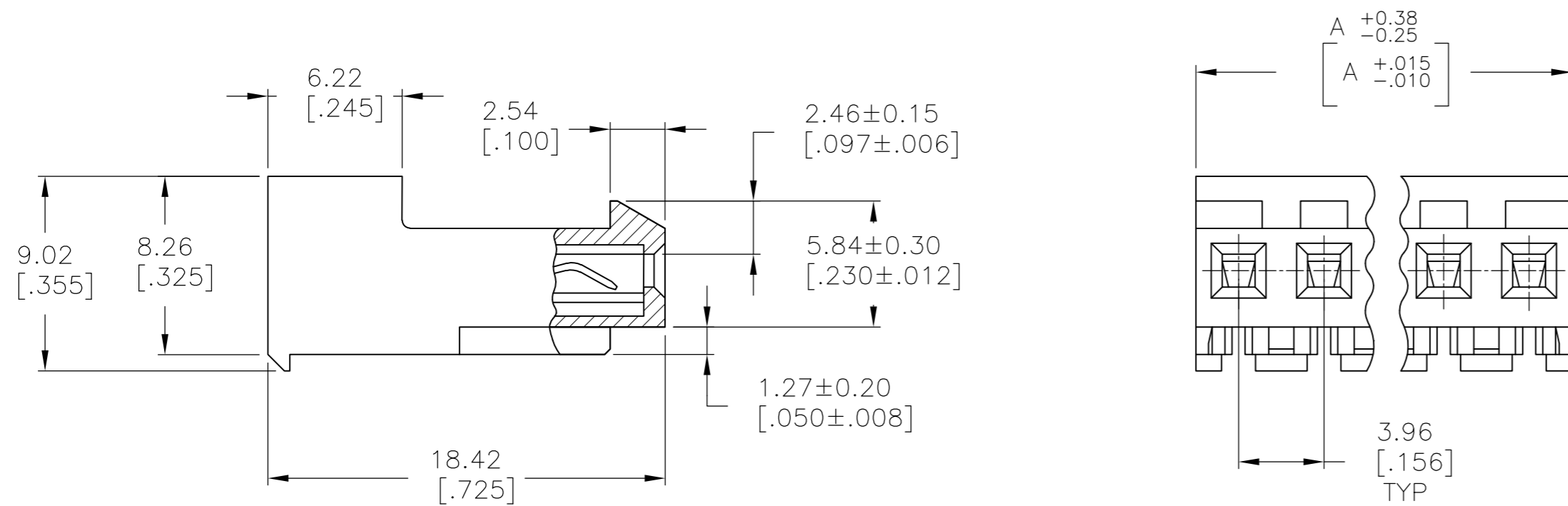
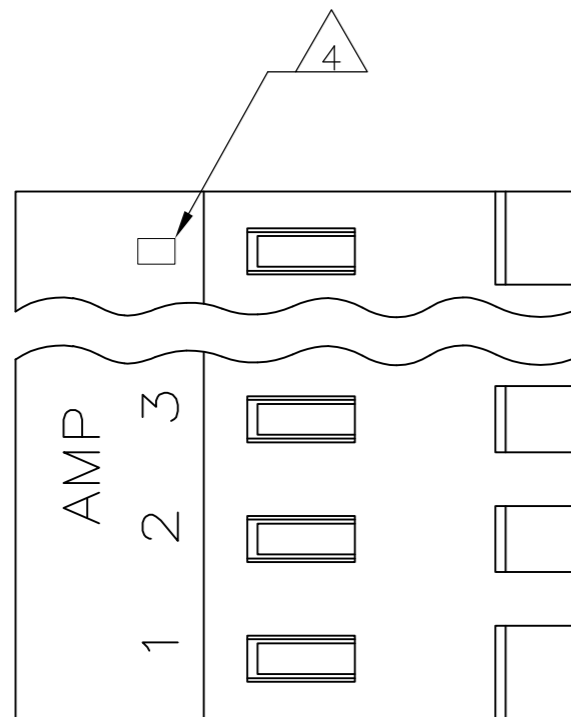


THIS DRAWING IS UNPUBLISHED. RELEASED FOR PUBLICATION  
 © COPYRIGHT - By - ALL RIGHTS RESERVED.

LOC	DIST	REVISIONS					
		P	LTR	DESCRIPTION	DATE	DWN	APVD
CM	00	N		REVISED PER ECR-20-000824	29MAY2020	PC	SW



1 MATERIAL: CONNECTOR - NYLON UL94V-2 (WHITE).  
 CONTACTS - 0.30[.012] THICK COPPER ALLOY  
 0.00076[.000030] GOLD THK OR 0.00008[.000003] MIN THK  
 GOLD FLASH OVER 0.00068[.000027] THK PALLADIUM NICKEL,  
 PER TE CONNECTIVITY'S DISCRETION, CONTACT  
 AREA WITH BRIGHT TIN-LEAD FOR 641220-2  
 THRU 2-641220-4, MATTE WHISKER MITIGATED  
 TIN FOR 3-641220-2 THRU 5-641220-4  
 OVER NICKEL UNDERPLATE.

- 2. CONTACTS ACCEPT 24 AWG WIRE WITH 2.41[.095] MAX INSULATION DIAMETER.
- 3. CONTACTS MUST ACCEPT 1.14±0.03 [.045±.001] SQUARE POST AND REMAIN LOCKED IN POSITION.
- 4 IDENTIFICATION NUMBER FOR LAST CIRCUIT MAY NOT APPEAR ON ALL ASSEMBLIES.
- 5. DIMENSIONS IN BRACKETS ARE IN INCHES.
- 6. HOUSING FEATURES ARE: CLOSED END WITH LOCKING RAMP.

7 OBSOLETE PARTS: OBSOLETE CIS STREAMLINING PER D.RENAUD/D.SINISI

DIM A	NO OF CIRCUITS	PART NO
95.10 [3.744]	24	5-641220-4
91.14 [3.588]	23	5-641220-3
87.17 [3.432]	22	5-641220-2
83.21 [3.276]	21	5-641220-1
79.25 [3.120]	20	5-641220-0
75.29 [2.964]	19	4-641220-9
71.32 [2.808]	18	4-641220-8
67.36 [2.652]	17	4-641220-7
63.40 [2.496]	16	4-641220-6
59.44 [2.340]	15	4-641220-5
55.47 [2.184]	14	4-641220-4
51.51 [2.028]	13	4-641220-3
47.55 [1.872]	12	4-641220-2
43.59 [1.716]	11	4-641220-1
39.62 [1.560]	10	4-641220-0
35.66 [1.404]	9	3-641220-9
31.70 [1.248]	8	3-641220-8
27.74 [1.092]	7	3-641220-7
23.77 [.936]	6	3-641220-6
19.81 [.780]	5	3-641220-5
15.85 [.624]	4	3-641220-4
11.89 [.468]	3	3-641220-3
7.92 [.312]	2	3-641220-2

95.10 [3.744]	24	2-641220-4
91.14 [3.588]	23	2-641220-3
87.17 [3.432]	22	2-641220-2
83.21 [3.276]	21	2-641220-1
79.25 [3.120]	20	2-641220-0
75.29 [2.964]	19	1-641220-9
71.32 [2.808]	18	1-641220-8
67.36 [2.652]	17	1-641220-7
63.40 [2.496]	16	1-641220-6
59.44 [2.340]	15	1-641220-5
55.47 [2.184]	14	1-641220-4
51.51 [2.028]	13	1-641220-3
47.55 [1.872]	12	1-641220-2
43.59 [1.716]	11	1-641220-1
39.62 [1.560]	10	1-641220-0
35.66 [1.404]	9	-641220-9
31.70 [1.248]	8	-641220-8
27.74 [1.092]	7	-641220-7
23.77 [.936]	6	-641220-6
19.81 [.780]	5	-641220-5
15.85 [.624]	4	-641220-4
11.89 [.468]	3	-641220-3
7.92 [.312]	2	-641220-2

DIM A	NO OF CIRCUITS	PART NO
-------	----------------	---------

THIS DRAWING IS A CONTROLLED DOCUMENT.		DWN B. LEWIS 11 MAR 96	TE Connectivity	
DIMENSIONS: mm [INCHES]		CHK R. SWING 11 MAR 96	MTA-156 CONNECTOR ASSEMBLY, 24 AWG, STANDARD	
TOLERANCES UNLESS OTHERWISE SPECIFIED:		APVD D. CLARK 11 MAR 96	RESTRICTED TO	
0 PLC ± -		PRODUCT SPEC 108-1051	SIZE A2	
1 PLC ± -		APPLICATION SPEC 114-1020	CAGE CODE 00779	
2 PLC ± -		WEIGHT -	DRAWING NO C=641220	
3 PLC ± -		SCALE 4:1		
4 PLC ± -		SHEET 1 OF 1		
ANGLES ± -		REV N		
FINISH		CUSTOMER DRAWING		