



MICRO SWITCH

FREEPORT, ILLINOIS, U.S.A.
A DIVISION OF HONEYWELL

FED. MFG. CODE 91929

SWITCH-BASIC

CATALOG LISTING

V3-23

CK-A2300

5

REPLACES

RELEASE NO.

DRAWING NUMBER

ISSUE 23

REVISIONS

A	CO20189	P E R	25 MAY 65
B	CO21900	D W C	10 JAN 67
C	CO24941	M B S	3 DEC 68
D	CO26075	M B S	26 AUG 69
E	CO31509	R E R	22 JAN 73
F	CO-32395	K S W	24 FEB 76
G	56987	CO	1 OCT 85
H	CO69053	J A S	8 FEB 92
J	CO74634	K D R	5 MAY 93

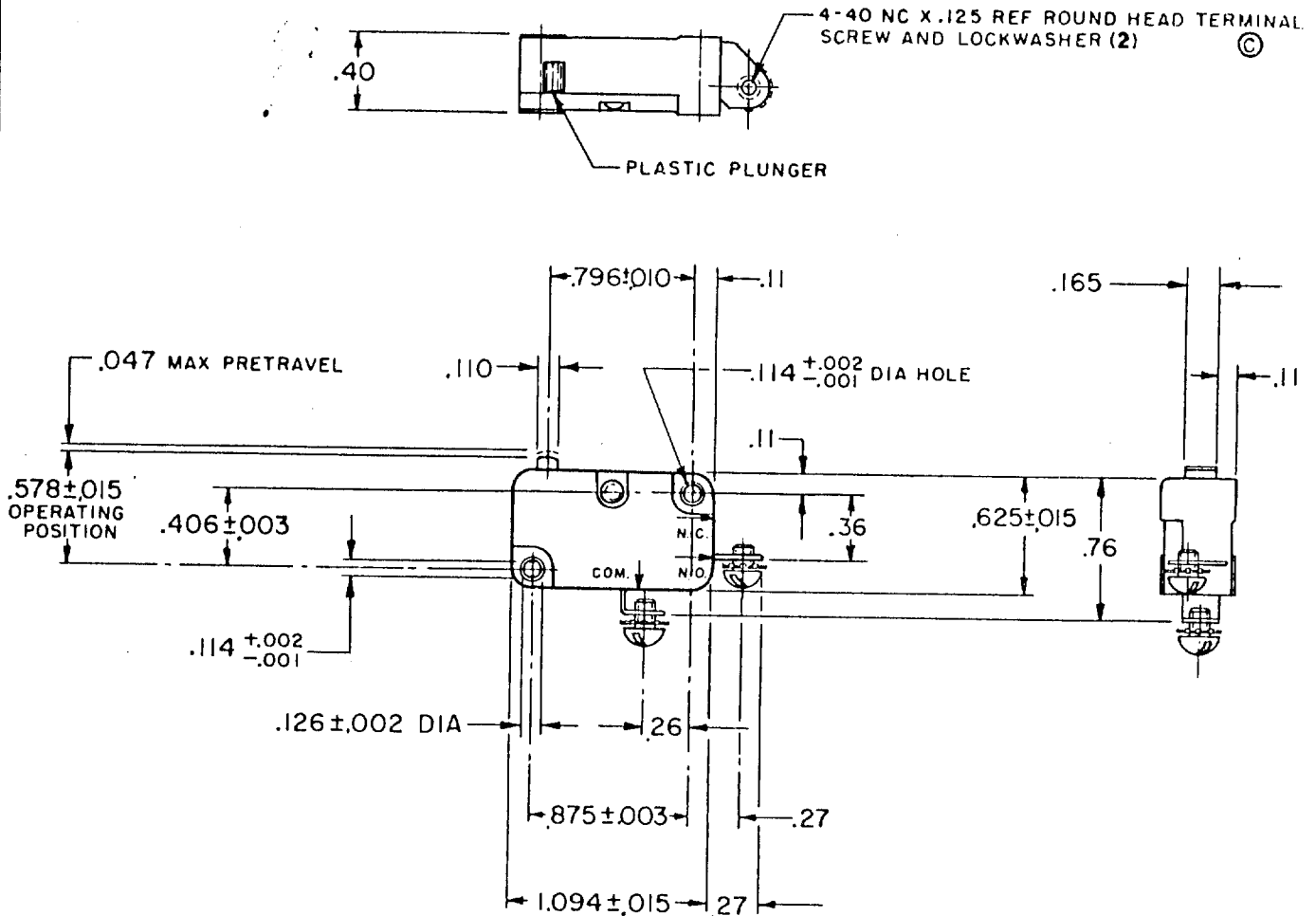
FC-30378

DRAWN

R E R 125 MAY 65 CHECK

PLH 27 MAY 65 CHECK

h s d



THIS DRAWING COVERS A PROPRIETARY ITEM AND IS THE PROPERTY OF MICRO SWITCH, A DIVISION OF HONEYWELL. THIS DRAWING IS NOT TO BE COPIED OR USED WITHOUT THE APPROVAL OF MICRO SWITCH.

CHARACTERISTICS

OPERATING FORCE - - - - - 6-14 OZ

RELEASE FORCE - - - - - 4 OZ MIN

RELEASE TRAVEL - - - - - .007 MIN

DIFFERENTIAL TRAVEL - - - - .006-.016

OVERTRAVEL - - - - - .040 MIN

FREE POSITION - - - - - .625 MAX

ELECTRICAL DATA

CONTACT ARRANGEMENT
S P N O

15.1A 1/2HP 125 OR 250 VAC L83
1/2A 125 VDC, 1/4A 250 VDC
5A 125 VAC "L"



SCALE FULL

DO NOT SCALE PRINT

UNLESS OTHERWISE NOTED

DIMENSIONS ARE IN INCHES

TOLERANCES ARE:

ONE PLACE	(.0)	±.030
TWO PLACE	(.00)	±.015
THREE PLACE	(.000)	±.005
ANGLES		

WEIGHT .016 LB