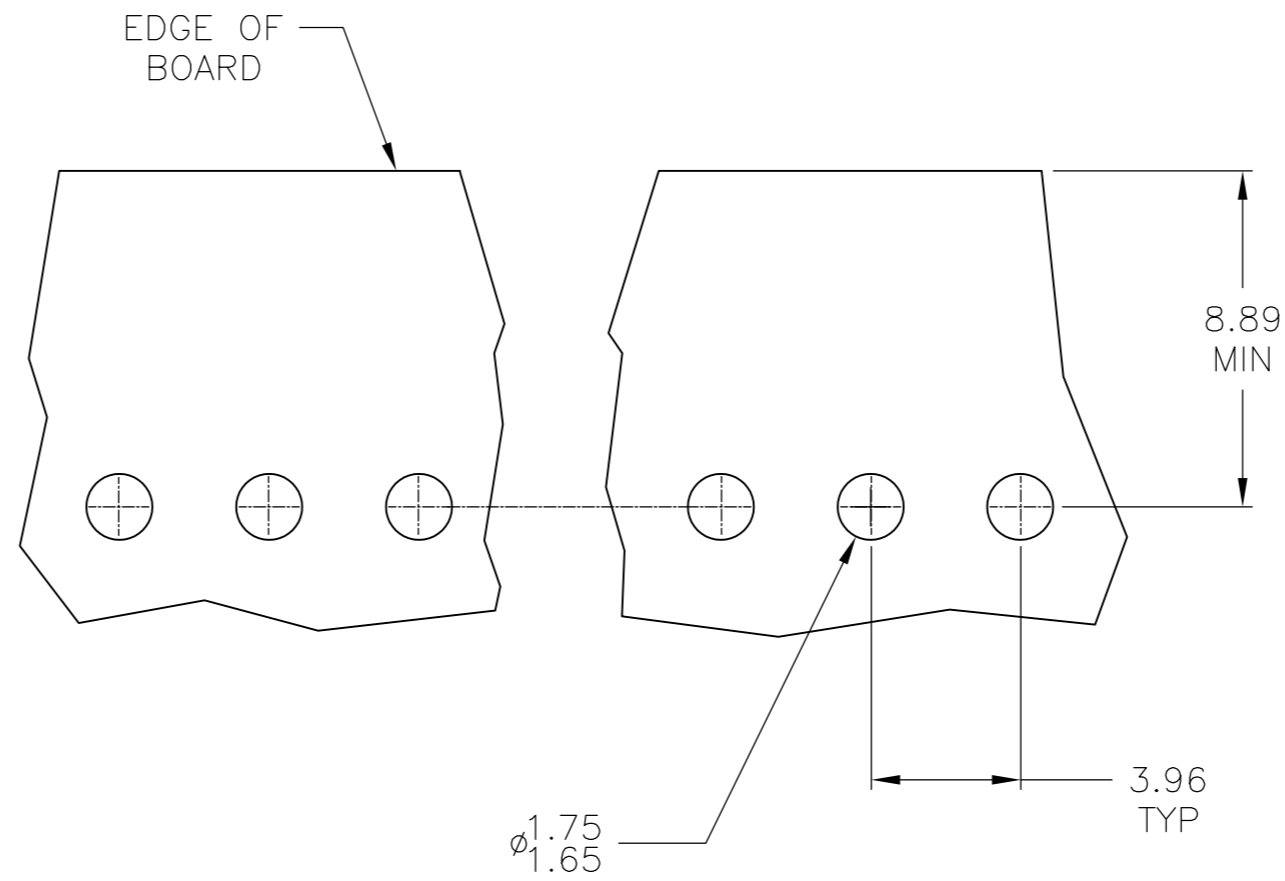
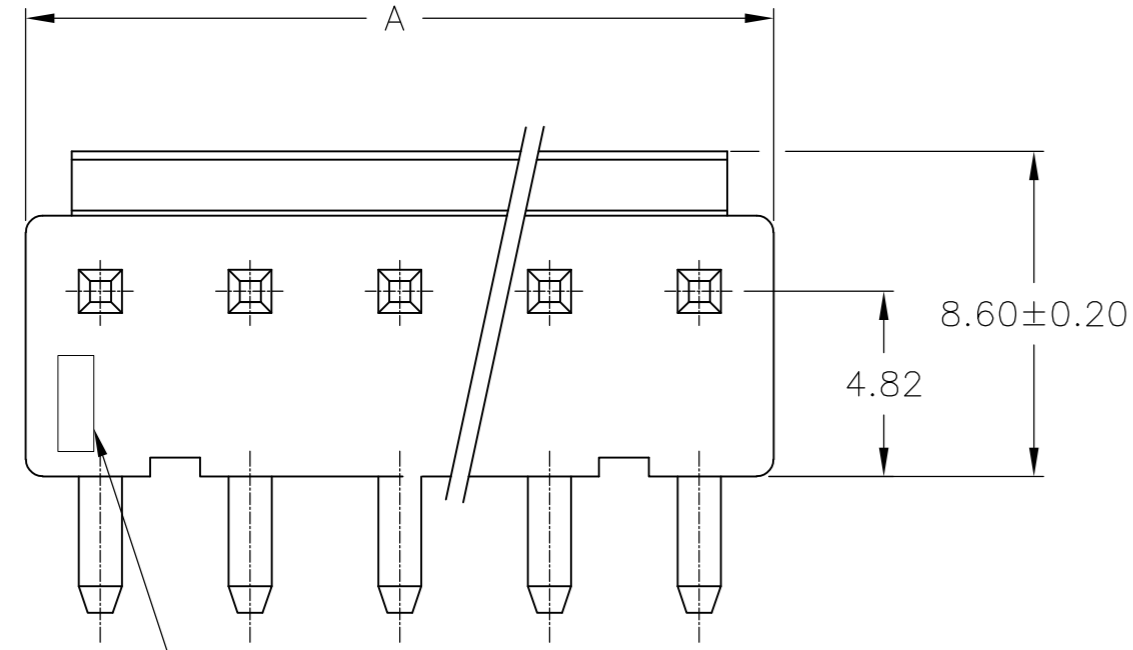
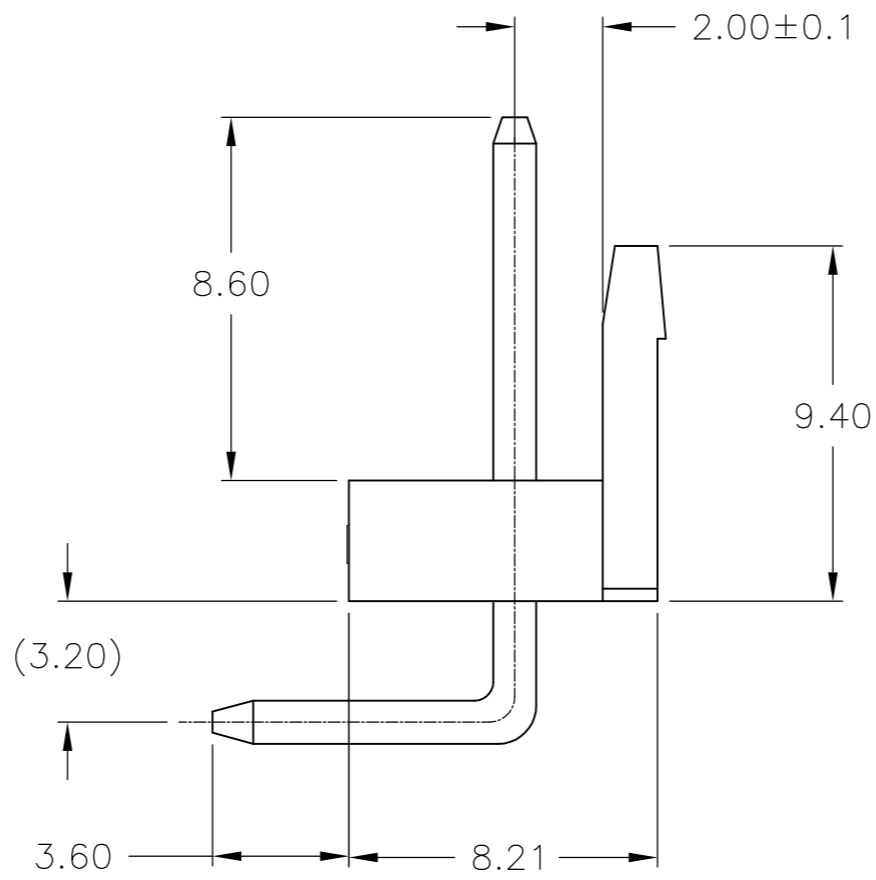
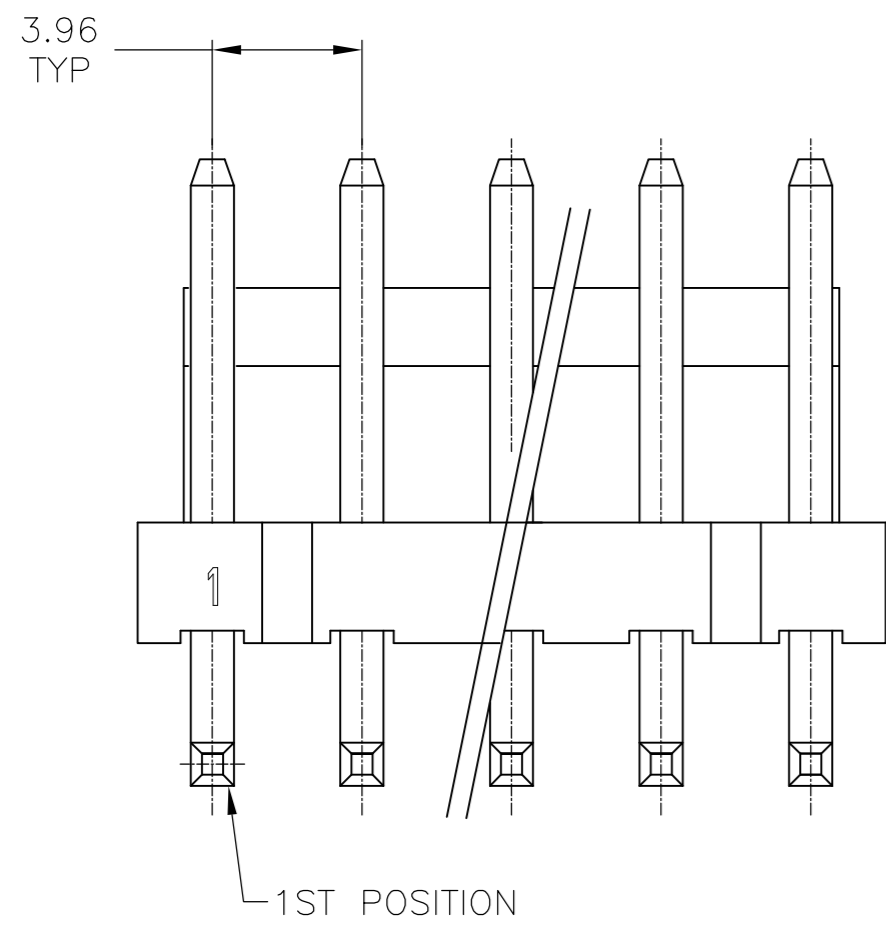


THIS DRAWING IS UNPUBLISHED. RELEASED FOR PUBLICATION  
 © COPYRIGHT - By - ALL RIGHTS RESERVED.

REVISIONS				
P	LTR	DESCRIPTION	DATE	APVD
B1		REVISED PER ECR-16-017535	19JAN17	O.C D.Z



- 1 MATERIAL :  
HOUSING : THERMOPLASTIC Nylon66UL94V-0.  
WHITE COLOR.  
CONTACT : BRASS.
- 2 FINISH:  
CONTACT : 80u" MIN. TIN PLATED ON  
CONTACT AREA.



47.52	12	1-647676-2
43.56	11	1-647676-1
39.60	10	1-647676-0
35.64	9	647676-9
31.68	8	647676-8
27.72	7	647676-7
23.76	6	647676-6
19.80	5	647676-5
15.84	4	647676-4
11.88	3	647676-3
7.92	2	647676-2
DIM. A		CIRCUITS
DIM. A		PART NUMBER

THIS DRAWING IS A CONTROLLED DOCUMENT.		DWN K. WHITAKER 22JUL04														
DIMENSIONS: mm		CHK D. BOSSI 22JUL04														
TOLERANCES UNLESS OTHERWISE SPECIFIED:		APVD D. BOSSI 22JUL04	NAME ASSEMBLY, EP HEADER, RIGHT ANGLE													
<table border="0"> <tr><td>0 PLC</td><td>± 0.3</td></tr> <tr><td>1 PLC</td><td>± 0.25</td></tr> <tr><td>2 PLC</td><td>± 0.12</td></tr> <tr><td>3 PLC</td><td>± 0.05</td></tr> <tr><td>4 PLC</td><td>± -</td></tr> <tr><td>ANGLES</td><td>± 3'0"</td></tr> </table>		0 PLC	± 0.3	1 PLC	± 0.25	2 PLC	± 0.12	3 PLC	± 0.05	4 PLC	± -	ANGLES	± 3'0"	PRODUCT SPEC -	SIZE A2	CAGE CODE 00779
0 PLC	± 0.3															
1 PLC	± 0.25															
2 PLC	± 0.12															
3 PLC	± 0.05															
4 PLC	± -															
ANGLES	± 3'0"															
MATERIAL -		FINISH -	WEIGHT 0.000000	DRAWING NO C-647676												
CUSTOMER DRAWING			SCALE 5:1	SHEET 1 of 1												
			REV B1	RESTRICTED TO -												