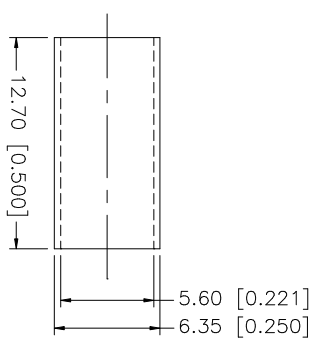
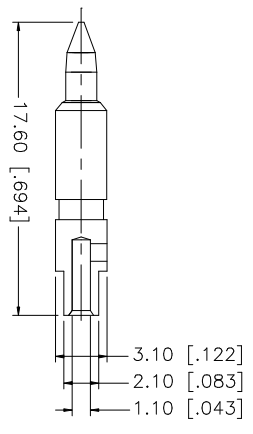
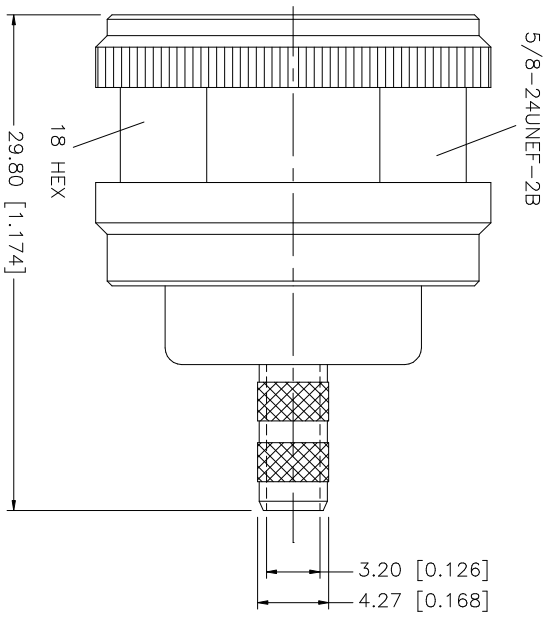
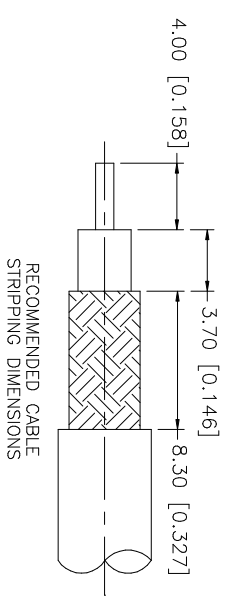


REV.	DATE	DESCRIPTION
A	05/24/04	UPDATE DRAWING FORMAT



CRIMP NOTES:

1. CRIMPED FERRULE  
HEX CRIMP SIZE .213"
2. CRIMPED CONTACT PIN  
HEX CRIMP SIZE .068"

QTY	FINISH	MATERIAL	DESCRIPTION
1	NEKOCOTE	BRASS	FERRULE
1	GOLD	BRASS	CONTACT PIN
1	RED	SILICON	GASKET
1	NATURAL	TEFLON	INSULATOR
1	NEKOCOTE	BRASS	BARREL
1	NEKOCOTE	BRASS	BODY

UNLESS OTHERWISE SPECIFIED DIMENSIONS ARE IN INCHES AND FOR CUSTOMER REFERENCE ONLY.	UNLESS OTHERWISE SPECIFIED DIMENSIONS ARE IN MILLIMETERS AND FOR CUSTOMER REFERENCE ONLY.
TOLERANCES FOR MILLIMETERS ARE: 0.5 - 8mm ± 0.20mm 8 - 30mm ± 0.40mm 30 - 120mm ± 0.50mm	TOLERANCES FOR INCHES ARE: UNLESS OTHERWISE SPECIFIED .020 - .315 = ± 0.007" .315 - 1.180 = ± 0.015" 1.180 - 4.724 = ± 0.020"

APPROVALS	DATE
DRAWN G.R.S.	05/24/04
CHECKED	
ISSUED	
SHEET 1 OF 1	

CAD FILE	C:/172/172142-11.DWG
DWG. NO.	172142-11.DWG
REV.	A
SIZE	A
SCALE	NA

<p><b>Amphenol Connex</b></p> <p>N CRIMP PLUG (FOR RG-55/U, 142A/U, 223/U, 400/U CABLE)</p>	
PART NO.	172142-11