

NOTES:

1. MATERIALS:

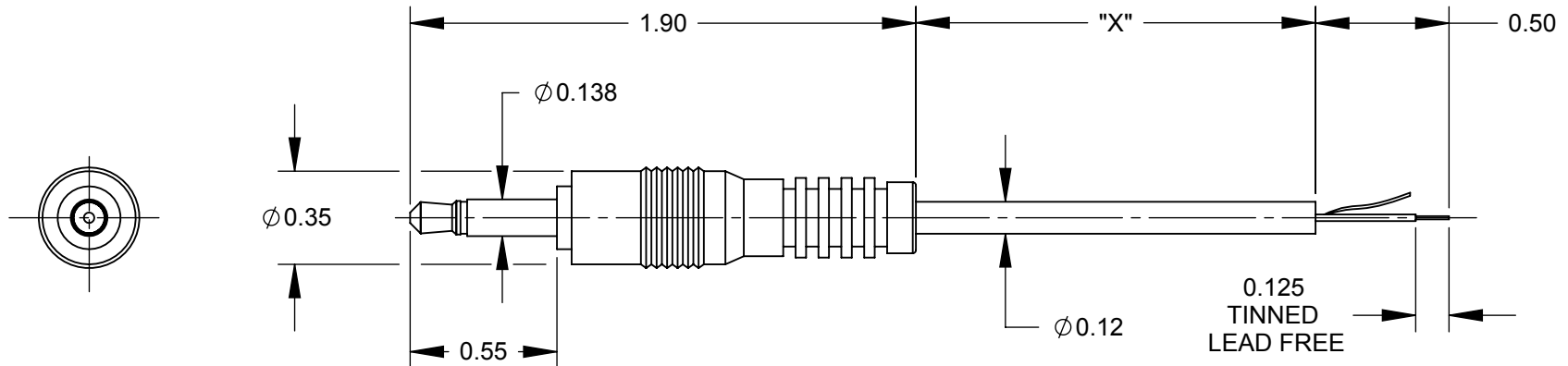
- B CABLE JACKET - PVC, BLACK
- CONDUCTORS - 26 AWG, CENTER COND. W/ COPPER SPIRAL SHIELD
- OVERMOLD - PVC, BLACK
- PLUG - BRASS, NICKEL PLATED WITH STEEL PIN, NICKEL PLATED

2. LEAD FREE SOLDER.

3. THIS PRODUCT IS RoHS COMPLIANT.

C

PART NUMBER	DIM "X"
32HR03684X	36.0" ±1.6"
32HR07284X	72.0" ±2.0"
32HR07884X	78.0" ±2.0"
32HR12084X	120.0" ±4.0"
32HR14484X	144.0" ±4.0"
32HR120084X	1200.0" ±9.0"



3.5MM MONO PLUG

S & T

B

WIRE CHART	
TIP	CENTER COND.
SLEEVE	SHIELD

CUSTOMER DRAWING

					THIS DRAWING DESCRIBES A DESIGN CONSIDERED PROPRIETARY IN NATURE, DEVELOPED AND MANUFACTURED BY SWITCHCRAFT INC. AND IS RELEASED ON A CONFIDENTIAL BASIS FOR IDENTIFICATION PURPOSES ONLY.				
					SIZE	WIDTH	MULT	LBS/M	TEMPER
					FINISH			MATERIAL	
					SPEC No.			SPEC No.	
					FIRST USED ON		SCALE 1.5:1		
C	27142	5-7-13	TO	TJK	DATE DRAWN	BY	CHKD	APVD	Switchcraft [®]
B	25790	01-07-08	AH	TJK	6/20/06	RF	RF	TJK	
A	26016	6/20/06	RF	TJK	6/20/06		6/26/06		
REV	ECO NUMBER	DATE	BY	APVD	NAME			PART No.	
REVISIONS					DO NOT SCALE DRAWING			32HR__84X	
					ST 3.5MM MONO TO S & T, RoHS			REV C	

