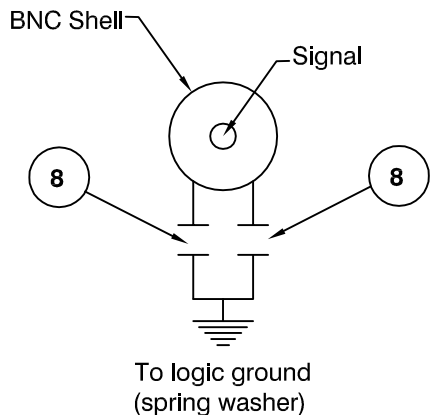
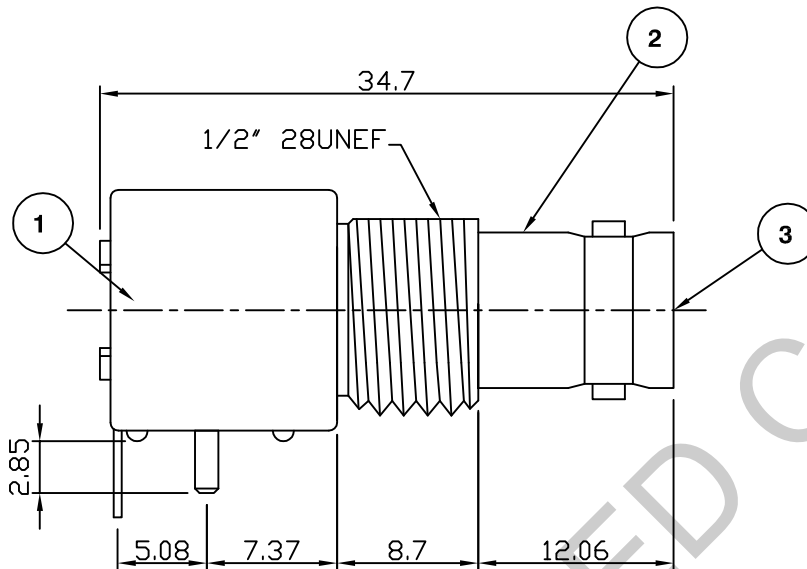
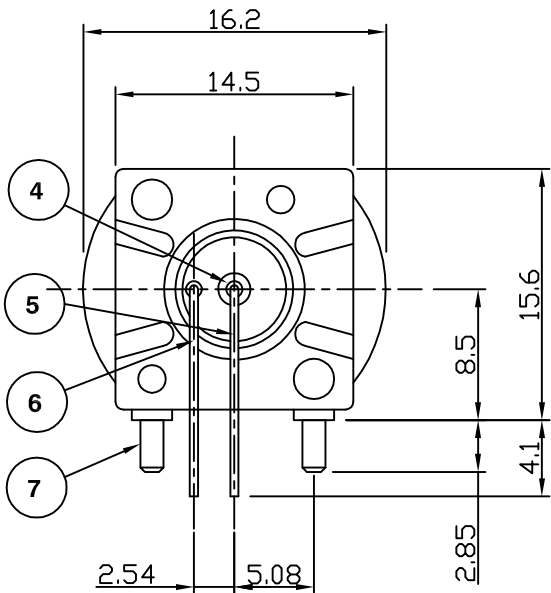
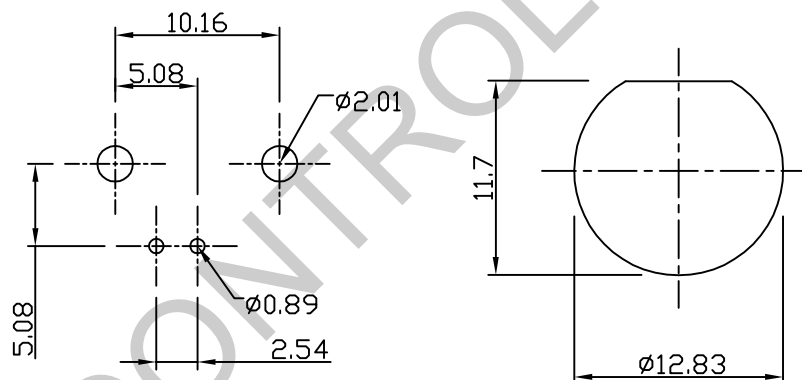


RoHS COMPLIANT



Capacitor Circuit Diagram



Recommended PCB Layout

Panel Cut-out

Electrical Characteristics

Nominal Impedance:	75 ohms
Frequency Range:	DC to 1 GHz
Operating Voltage (rms):	500 V maximum at sea level
Dielectric Withstand Voltage (rms):	1500 V maximum at sea level
Contact Resistance:	3.0 milliohms maximum
Insulation Resistance:	5000 megohms minimum

Mechanical Characteristics

Mating Cycles:	500 cycles minimum
Interface Dimensions:	Conform to MIL-C-39012

Environmental Characteristics

Temperature Range:	-65 °C to +165 °C
--------------------	-------------------

PART	DESCRIPTION
1 Body	PBT + 30% Glass Fibre (UL:94V-0)
2 Body	Zinc Alloy, nickel plated
3 Insulator	Polypropylene
4 Contact	Phosphor bronze, gold plated (Interface)
5 Signal Lead	Copper clad steel, tin plated
6 Ground Terminal	Copper wire, tin plated
7 Mounting Post	Brass, tin plated
8 Ceramic Chip Capacitor X 2	4700 pF ±10%

Corrected note Item 5, was tin lead	MS	2	05 Sep 13
First Issue	SN	1	11 Dec 01
DESCRIPTION OF REVISION	APPVD	ISS	DATE



Cinch Connectivity Solutions
 11 Bilton Road,
 Chelmsford, Essex,
 CM1 3AA,
 UK.
 Tel: +44 (0) 1245 359515
 Fax: +44 (0) 1245 358938

SCALE: Not To Scale

DIMENSIONS: mm

TOLERANCES:
 ± 0.2mm unless
 otherwise stated

DRAWN BY:	S Nash
CHECKED BY:	P Couzens
APPROVED BY:	M Nielsen
DATE:	11 Dec 01

TITLE:
**BNC Right Angle PCB Mount
 Jack Filter Connector**

PART NUMBER:
VBF201-75

PAGE: 1 of 1