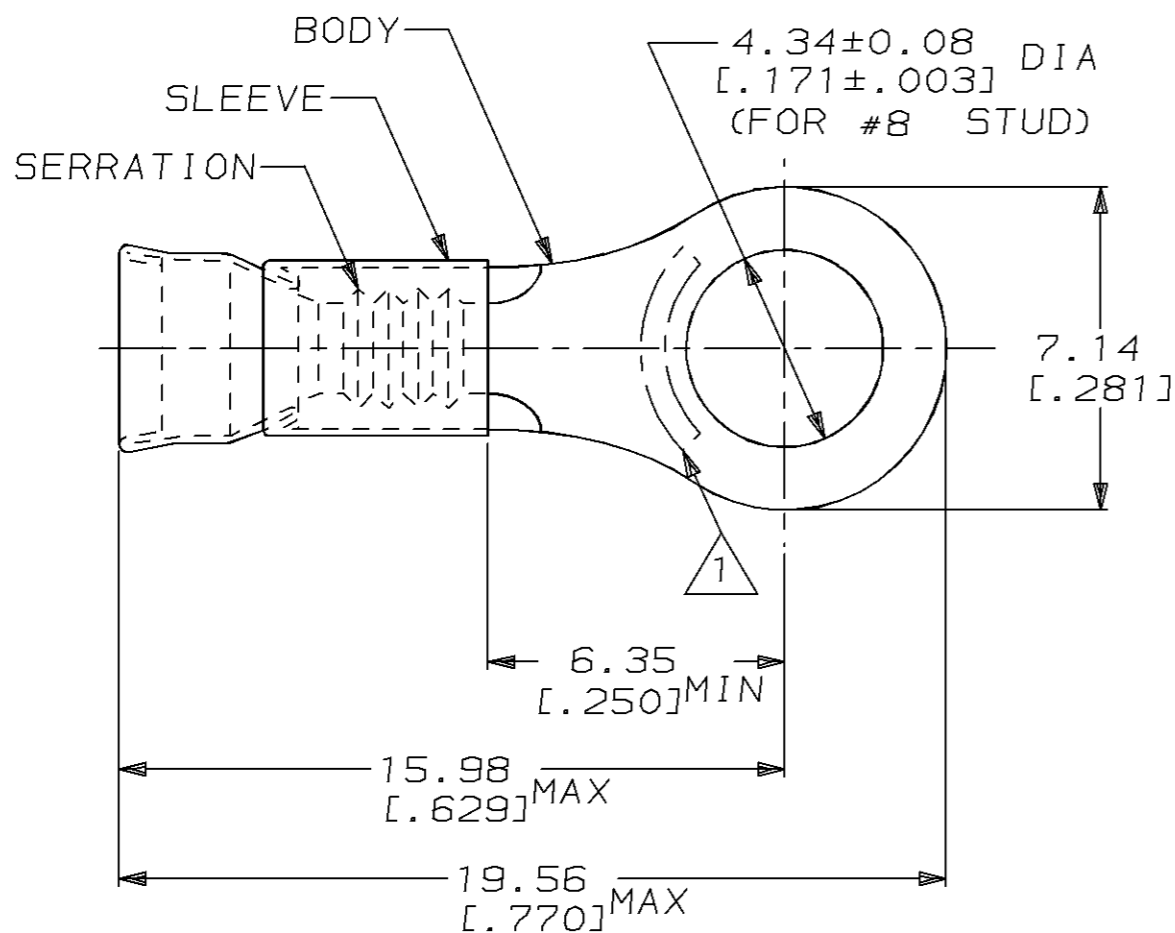


THIS DRAWING IS UNPUBLISHED. RELEASED FOR PUBLICATION ,19 .

© COPYRIGHT 19 BY AMP INCORPORATED. ALL RIGHTS RESERVED.

LOC	DIST	REVISIONS			
P	LTR	DESCRIPTION	DATE	DWN	APVD
G	14	G	REV / 0L20-0014-96	28OCT96	ME TM



- 1 STAMP AMP 22-18*APPROX AS SHOWN
22-16 TERMINALS ARE STAMPED 22-18 IN
ACCORDANCE WITH MILITARY SPEC MIL-T-7928
COMMERCIAL WIRE RANGE IS 22-16
- 2. WIRE INSUL DIA, 1.30-2.79 [0.051-.110]
- 3. TONGUE MATL THK, 0.79±0.05 [0.031±0.002]
- 4 NICKEL PL PER QQ-N-290
- 5 GOLD PL PER MIL-G-45204 OVER
NICKEL PL PER QQ-N-290

1000	LOOSE PIECE	323152-2
5000	ON TAPE, REEL	323152-1
1000	LOOSE PIECE	323152
QTY	PACKAGE TYPE	PART NO

AMP INCORPORATED CUSTOMER SERVICE SYSTEM		MAX RECOMMENDED OPERATING TEMPERATURE: 343°C [650°F]	THIS DRAWING IS A CONTROLLED DOCUMENT FOR AMP INCORPORATED. IT IS SUBJECT TO CHANGE AND THE CONTROLLING ENGINEERING ORGANIZATION SHOULD BE CONTACTED FOR THE LATEST REVISION.		DWN L OLMEDA 100CT94	AMP Incorporated Harrisburg, PA 17105-3608				
FOR ADDITIONAL PRODUCT INFORMATION OR COPIES OF DRAWINGS AND TECHNICAL DOCUMENTS	PRODUCT INFORMATION CENTER 1-800-522-6752		VOLTAGE RATING: -	DIMENSIONS: mm [in]	TOLERANCES UNLESS OTHERWISE SPECIFIED:		CHK M ELLIS 100CT94	NAME S BORTNER 100CT94		
FOR APPLICATION TOOLING INFORMATION	TOOLING ASSISTANCE CENTER 1-800-722-1111	CIRCULAR MIL AREA: 0.26mm ² -1.65mm ² [509-3260]	MATERIAL BODY, CU PER ASTM B152 SLEEVE, NI SIL PER ASTM B122	FINISH SEE TABLE	APVD S BORTNER 100CT94	PRODUCT SPEC -				
FOR ORDER ENTRY	1-800-526-5142	STRANDED WIRE			0 PLC ±- 1 PLC ±- 2 PLC ±0.20 [0.008] 3 PLC ±- 4 PLC ±- ANGLES ±-	APPLICATION SPEC -	WEIGHT -	SIZE A3		
					CUSTOMER DRAWING	CAGE CODE 00779	DRAWING NO G-323152	SCALE 6:1	SHEET 1 OF 1	REV G