


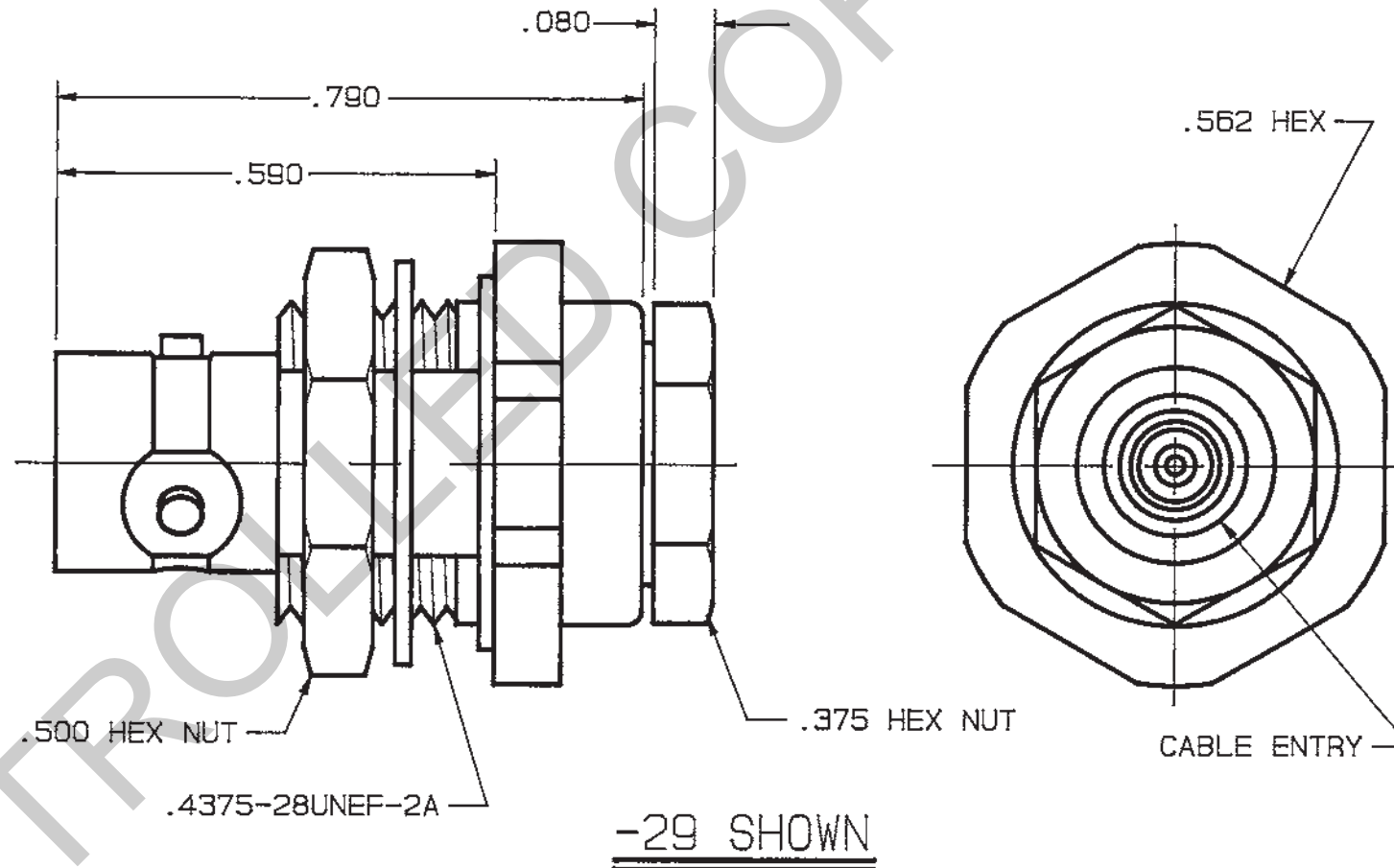


DASH NO	CABLES ACCOMMODATED	ASSEMBLE PER
-23	275-3930, MICRODOT	TAI-127
-24	202-3934, MICRODOT	TAI-125
-24A	9530A5117, RAYCHEM	TAI-127
-27	202-3927, MICRODOT 73-1317911-1, SYLVANIA	TAI-125
-29	TWC-124-1A TWC-78-1	TAI-125
-30	8441, BELDEN  761A, W.E.CO.	
-32	TRC-50-1	TAI-127
-33	TRC-75-1	
-43	250-4044/250-4045 293-3930 MICRODOT	TAI-174
-47	M17/176-00002 	TAI-125
-49	TWAC-78-1F2 	
-56	GC875GC1, GRUMMAN	TAI-174
-57	GC875GB1, GRUMMAN	
-58	GC875TM24H, GRUMMAN	TAI-125

DISK # H 6 DWG SIZE B
 DATA CONTAINED IN THIS DOCUMENT IS PROPRIETARY TO TROMPETER ELECTRONICS INC. AND SHALL NOT BE DISCLOSED, COPIED OR USED FOR PROCUREMENT OR MANUFACTURE WITHOUT EXPRESS WRITTEN PERMISSION.

REVISIONS			3-0026		SH 1
REV	EO	DESCRIPTION	DWN	APPROVED	DATE
T	9117	ADDED -43; ADDED ITEMS 13 & 14 TO L/M; ITEMS 13 & 14 FOR -29 & -57 WERE ITEMS 5 & 6	J S	<i>E.E., K.G.</i>	12-13-90

INCH	MM
.005	0.13
.080	2.03
.125	3.18
.187	4.75
.190	4.83
.375	9.53
.439	11.15
.443	11.25
.500	12.70
.562	14.27
.590	14.99
.790	20.07



 .187 LG JACKET SLITS MAY BE REQUIRED FOR EASE OF ASSY

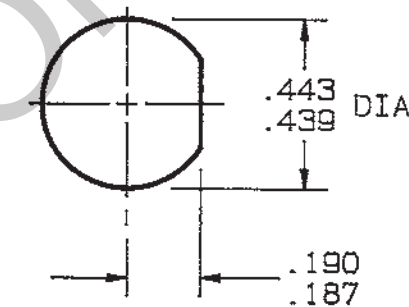
 NOT WRENCH CRIMP

4. MAX PANEL THK .125


3. CONCENTRIC TWINAX/TRIAX SUBMINIATURE TRS 3-LUG BULKHEAD MOUNT RECEPTACLE

2. FINISH: TFS-1A (NICKEL)

1. ALL DIM ARE IN INCHES



RECOMMENDED
 PANEL CUTOUT
 SCALE: 2/1

QTY	DESCRIPTION		PART NUMBER		ITEM		
TOL UNLESS SPECIFIED .XX ± .XXX ± .005 .XXXX ± ANGLES ±					BJ159		
DWN	J S	12/4/90				MATERIAL	CODE IDENT
305-0424	CHK	<i>E.E.</i>	12-11-90	—	14949	3-0026	T
NEXT ASSY	ENGR	<i>K.G.</i>	12-13-90	SCALE 4/1	DATE 6/20/75	SHEET 1 OF 2	