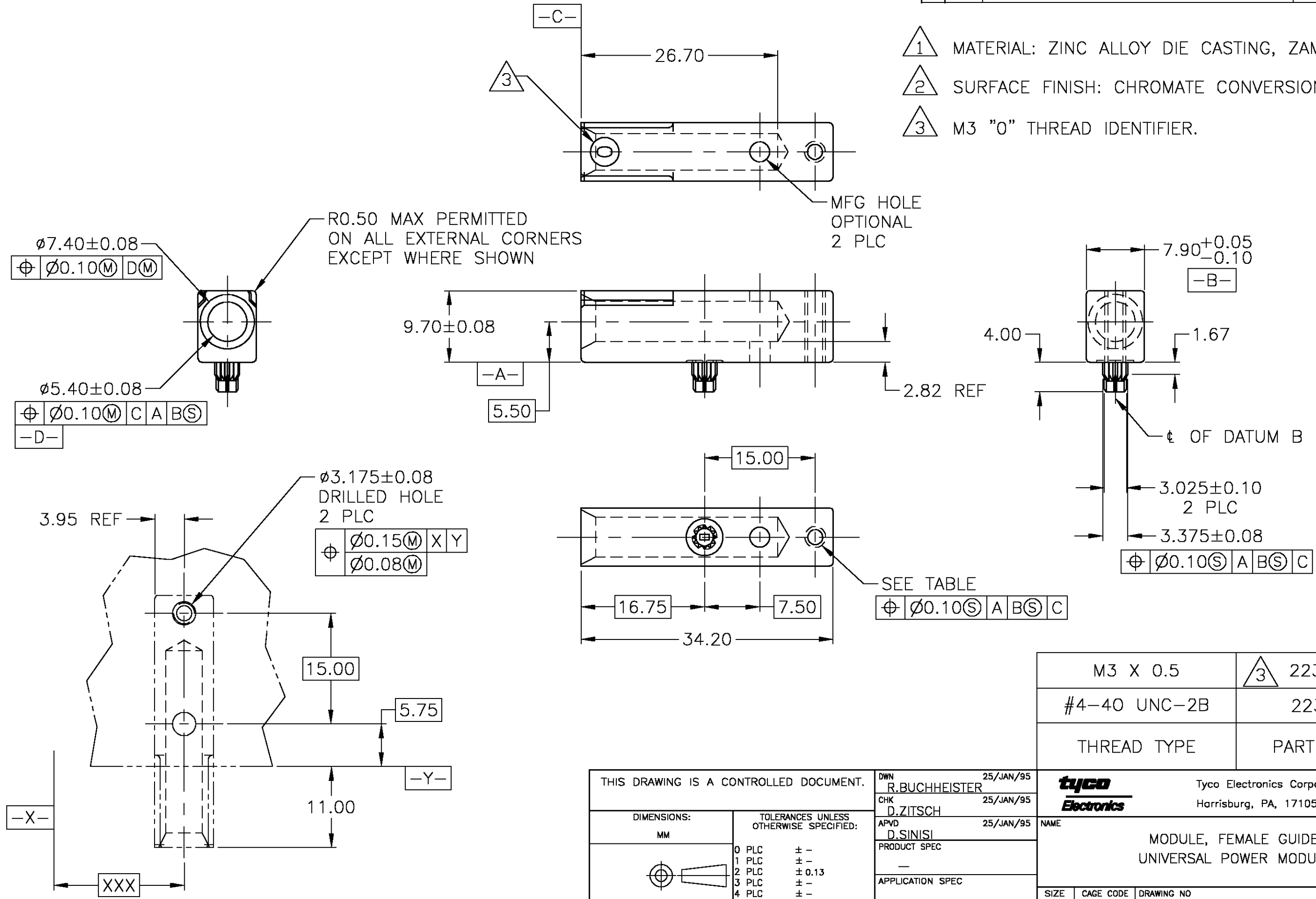


THIS DRAWING IS UNPUBLISHED. RELEASED FOR PUBLICATION
 © COPYRIGHT BY TYCO ELECTRONICS CORPORATION. ALL RIGHTS RESERVED.

LOC	DIST	REVISIONS			
P	LTR	DESCRIPTION	DATE	DWN	APVD
AD	00	F	REV PER EC 0S12-0186-03	06MAY03	BC RP

- 1 MATERIAL: ZINC ALLOY DIE CASTING, ZAMAK 3.
- 2 SURFACE FINISH: CHROMATE CONVERSION COATING.
- 3 M3 "0" THREAD IDENTIFIER.



THIS DRAWING IS A CONTROLLED DOCUMENT.		DWN	25/JAN/95	 Tyco Electronics Corporation Harrisburg, PA, 17105-3608
		CHK	25/JAN/95	
		APVD	25/JAN/95	
		PRODUCT SPEC		
		APPLICATION SPEC		NAME
		WEIGHT		MODULE, FEMALE GUIDE, UNIVERSAL POWER MODULE
		CUSTOMER DRAWING		SIZE
				CAGE CODE
				DRAWING NO
				RESTRICTED TO
				A3 00779 C-223957
				SCALE
				2:1
				SHEET
				1 OF 1
				REV
				F