

REVISIONS				
REV	DATE	DESCRIPTION	BY	APP'D
0	03/04	CONVERTED RADIAL DWG TO TYCO ACAD DWG	RF	JM
1	25FEB10	REVISED	RF	JM
2	08APR10	REVISED	RF	JM

1 SHELL & KEY RETENTION PLATE: ALUMINUM ALLOY  
 LOCKING POST: STAINLESS STEEL PER ASTM B883  
 SPRING: STAINLESS STEEL PER AISI 301  
 SPRING SUPPORT, LOCKING POST SUPPORT & CAPTIVE SCREW: STAINLESS STEEL PER AISI 303  
 SCREW RETENTION CLIPS: STAINLESS STEEL PER AISI 304  
 INSERT RETENTION CLIP: COPPER ALLOY PER ASTM B194  
 PROTECTIVE COVER: THERMOPLASTIC ELASTOMER  
 POLARIZATION KEY: PEI THERMOPLASTIC PER ASTM D5205

2 SHELL: ELECTROLESS NICKEL PER SAE AMS-C-26074, CLASS 1.  
 KEY RETENTION PLATE: ANODIZED, CLEAR

3 DATE CODE - YEAR & WEEK (YY WW)

4 4-40 CAPTIVE SCREWS ON KEY RETENTION PLATE  
 RECOMMENDED LOCKING TORQUE: 0.8 N.m [7in-lb]

5 6-32 SCREWS ARE REQUIRED FOR PANEL MOUNTING (NOT INCLUDED) - RECOMMENDED  
 LOCKING TORQUE: 1.6 N.m [14 in-lb]

6 THREADED HOLES ARE SELF-LOCKING, HAVING THE SPIRALOCK® THREAD FORM.  
 SPIRALOCK® IS A REGISTERED TRADEMARK OF SPIRALOCK CORPORATION.

7 THE POLARIZATION KEYS & RETENTION PLATE ARE SHIPPED UNASSEMBLED.

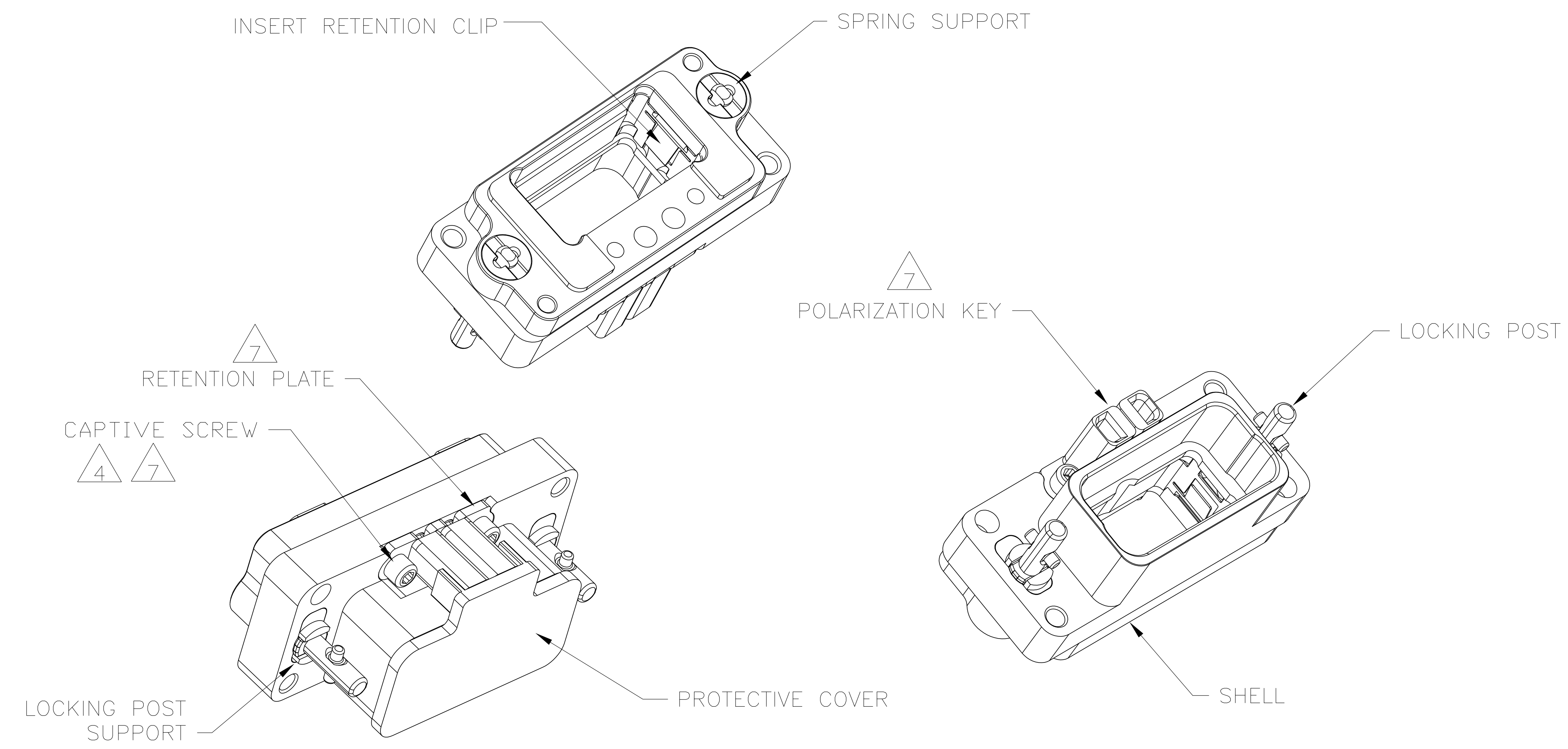
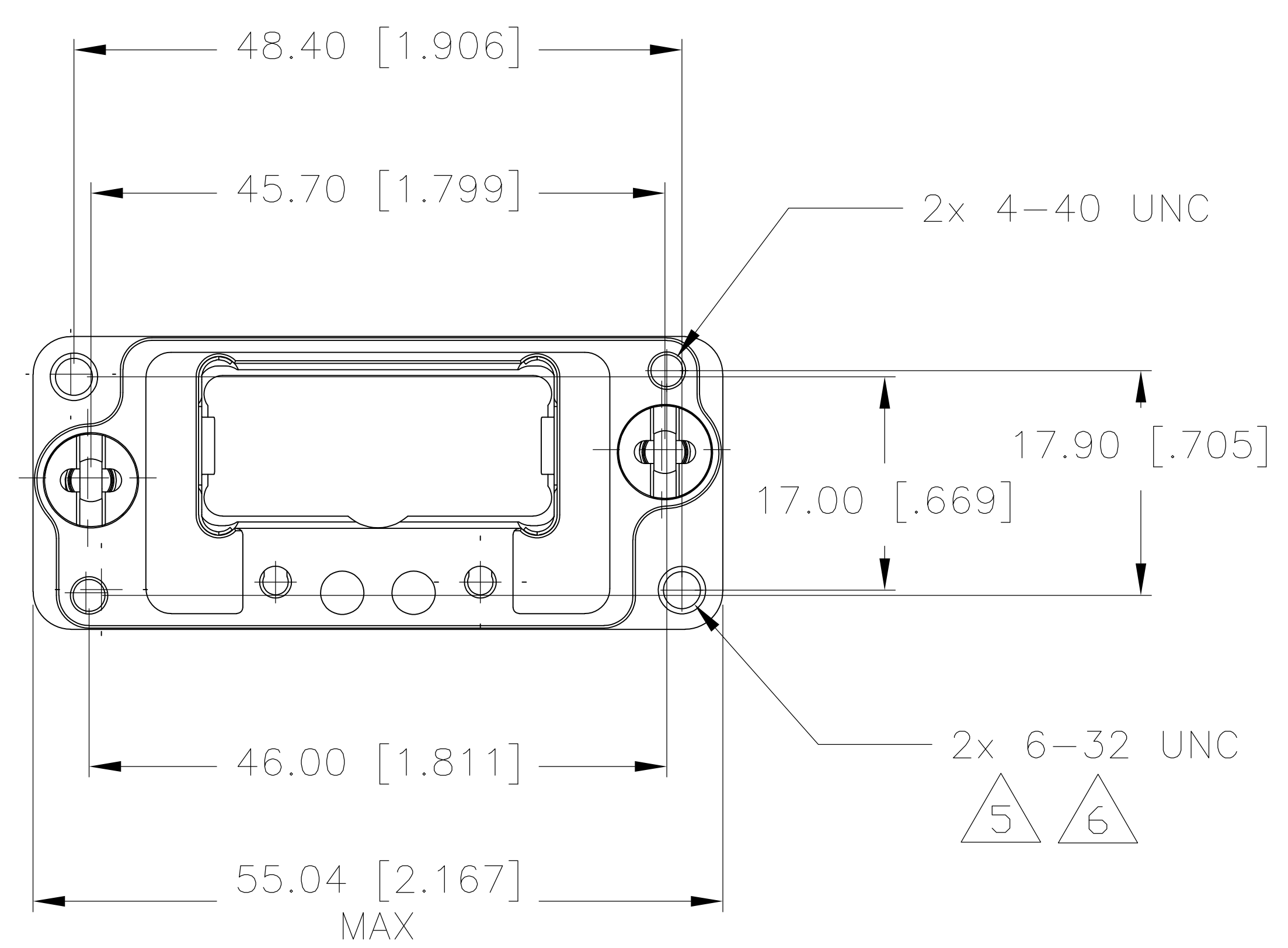
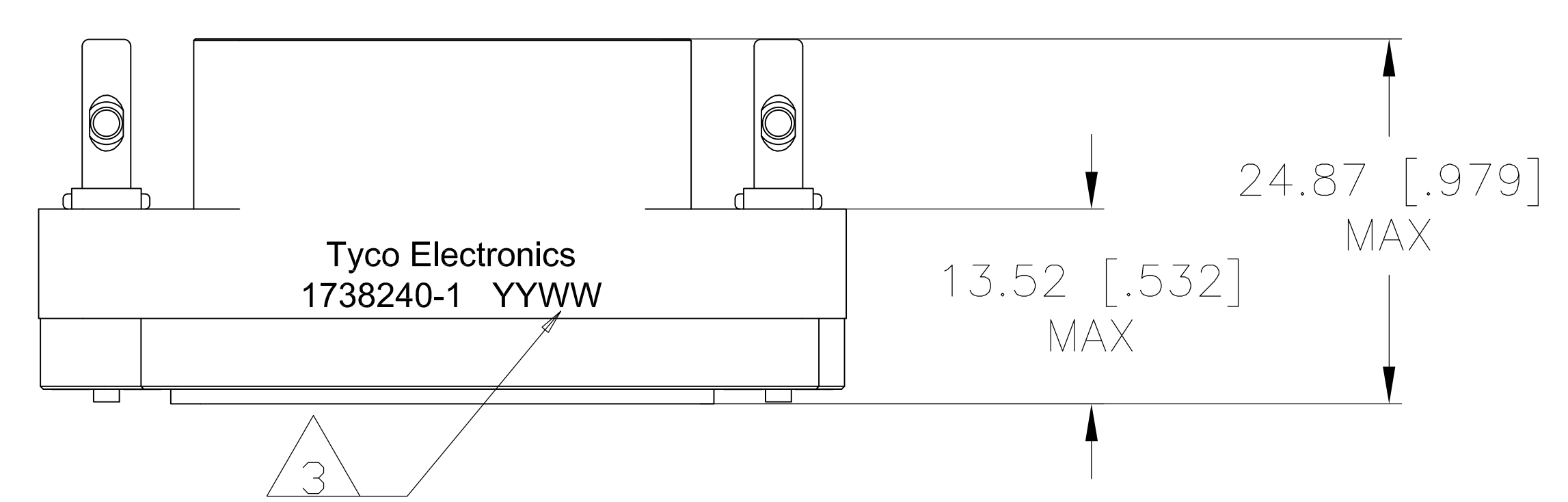
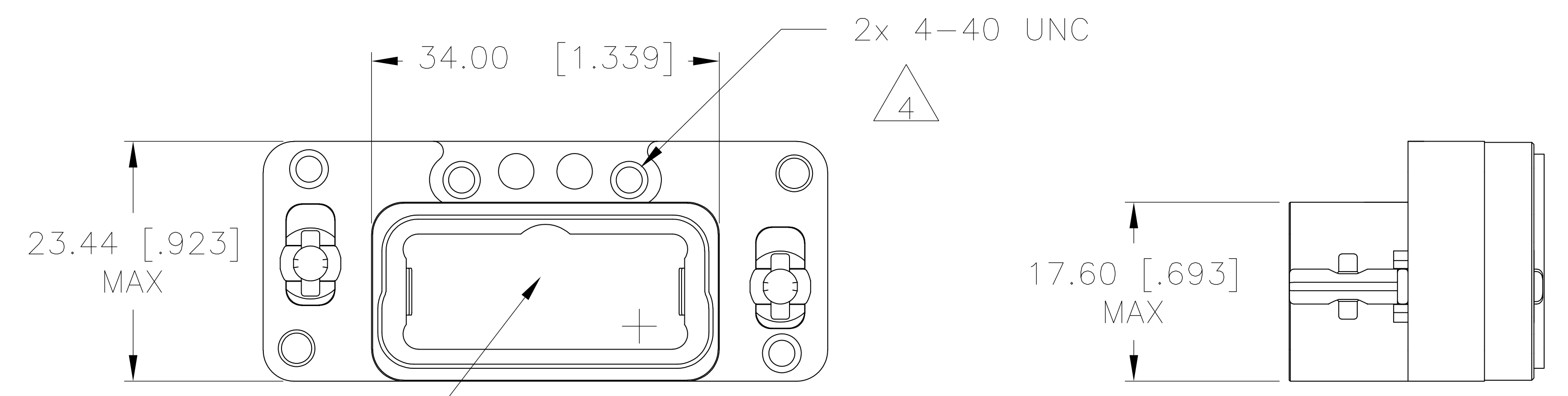
8 SHELL CAVITY FOR GPRB SERIES INSERTS WITH KEYING CODE A.

9 DATUMS ESTABLISHED BY CUSTOMER.

10 BASIC DIMENSIONS ESTABLISHED BY CUSTOMER.

11. DESCRIPTIVE PART NUMBER: GPRB1RM04N  
 SERIES: GPRB  
 SHELL SIZE: 1 (SINGLE-CAVITY SHELL)  
 SHELL STYLE: R (RECEPTACLE)  
 MODIFICATION CODE: M (TWO 6-32 UNC MOUNTING HOLES)  
 LOCKING DEVICE: 0 (QUARTER-TURN FASTENER)  
 POLARIZATION CODE: 4 (KIT, WITH POLARIZING HARDWARE UNASSEMBLED)  
 SHELL PLATING: N (NICKEL PLATING)

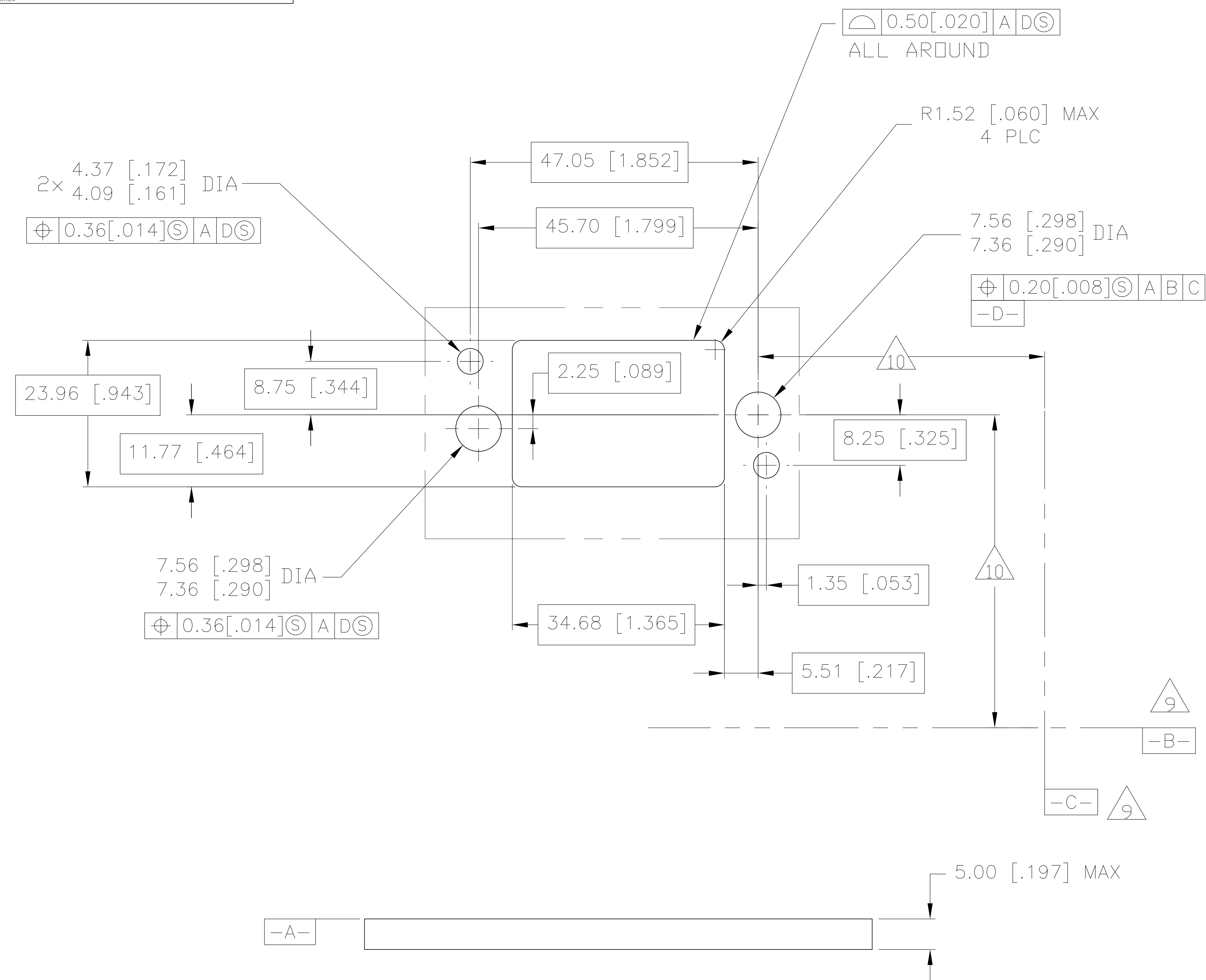
12. THIS PRODUCT IS SOLD BY TYCO ELECTRONICS UNDER A LICENSE FROM RADIAL SA.



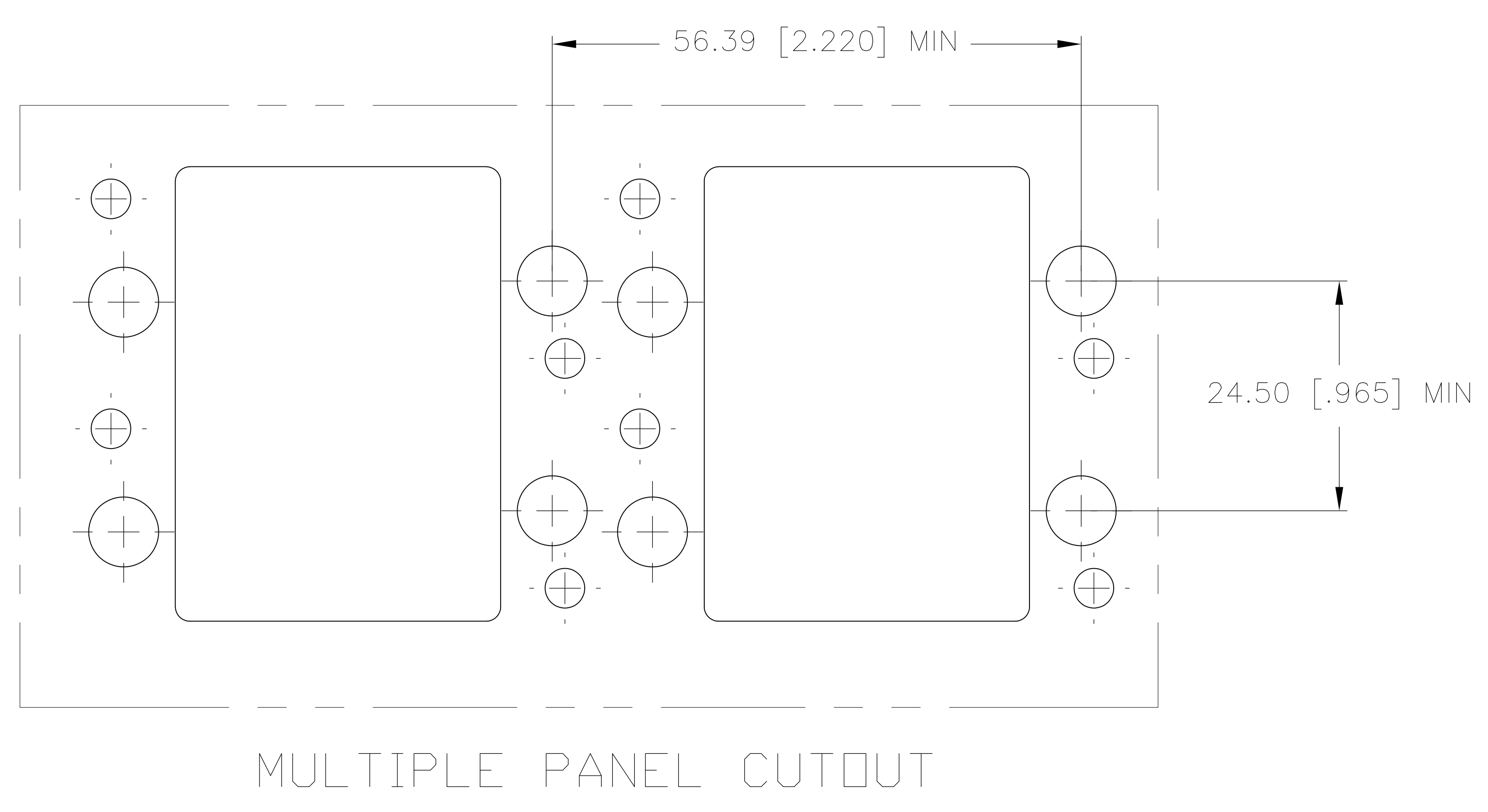
THIS PRINT IS  
**PRELIMINARY**  
 UNQUALIFIED PRODUCT  
 CONTACT PRODUCT ENGINEERING  
 BEFORE USING THIS PRINT

1738240-1  
 PART NUMBER

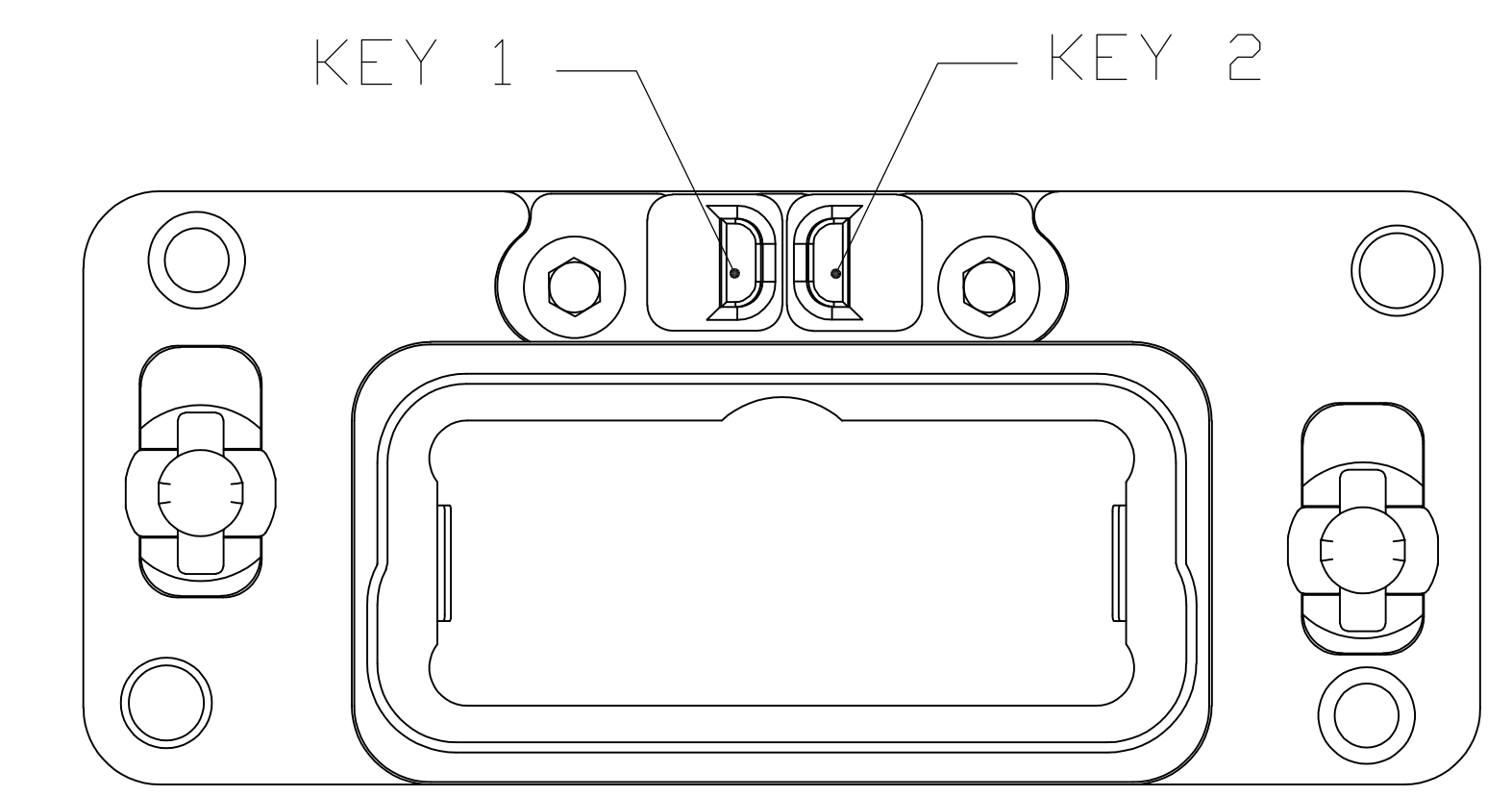
THIS DRAWING IS A CONTROLLED DOCUMENT.		DATE: 03/04	SCALE: 1:1	SHEET 1 OF 2	
DESIGNER: J. MOSIER	DATE: 03/04	SCALE: 1:1	SHEET 1 OF 2		
APP'D: J. MOSIER	DATE: 03/04	SCALE: 1:1	SHEET 1 OF 2		
PRODUCT SPEC: 1738240-1	DATE: 03/04	SCALE: 1:1	SHEET 1 OF 2		
APPLICATION SPEC: 1738240-1	DATE: 03/04	SCALE: 1:1	SHEET 1 OF 2		
WEIGHT: 0.00779	DATE: 03/04	SCALE: 1:1	SHEET 1 OF 2		
CUSTOMER DRAWING	DATE: 03/04	SCALE: 1:1	SHEET 1 OF 2		



RECOMMENDED PANEL CUTOUT - COMPONENT SIDE

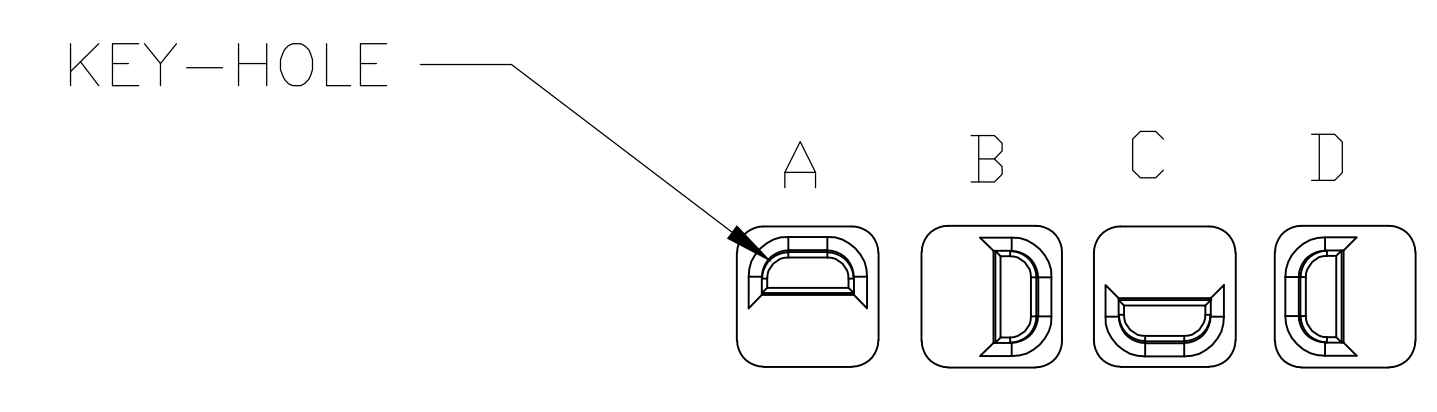


MULTIPLE PANEL CUTOUT



CODE NUMBER 08 SHOWN: B-D  
POLARIZATION KEY 1 POLARIZATION KEY 2

RECEPTACLE CONNECTOR POLARIZATION



CODE NUMBER	KEY 1	KEY 2
01	A	A
02	D	A
03	C	A
04	B	A
05	A	D
06	D	D
07	C	D
08	B	D
09	A	C
10	D	C
11	C	C
12	B	C
13	A	B
14	D	B
15	C	B
16	B	B

KEY-HOLE ORIENTATION

THIS PRINT IS  
**PRELIMINARY**  
UNQUALIFIED PRODUCT  
CONTACT PRODUCT ENGINEERING  
BEFORE USING THIS PRINT

1738240-1  
PART NUMBER

THIS DRAWING IS A CONTROLLED DOCUMENT.		REV. FLAG	DATE	BY	CHK	APP'D	Tyco Electronics Corporation Harrisburg, Pa 17105-3608
DIMENSIONS: mm (INCHES)		DR. MOSIER					
TOLERANCES UNLESS OTHERWISE SPECIFIED:		PRODUCT SPEC		APPLICATION SPEC		RECEPTACLE SHELL KIT, WITH POLARIZING HARDWARE, GPRB1	
D. PLC ± .005		± .005		± .005		SIZE: 1.1	
F. PLC ± .010		± .010		± .010		SCALE: 1:1	
G. PLC ± .015		± .015		± .015		SHEET 2 OF 2	
H. PLC ± .020		± .020		± .020		REV 2	
MATERIAL:		FINISH:		CUSTOMER DRAWING		DRAWING NO: A000779	
						1738240	