

4

3

2

1

THIS DRAWING IS UNPUBLISHED.

RELEASED FOR PUBLICATION

© COPYRIGHT

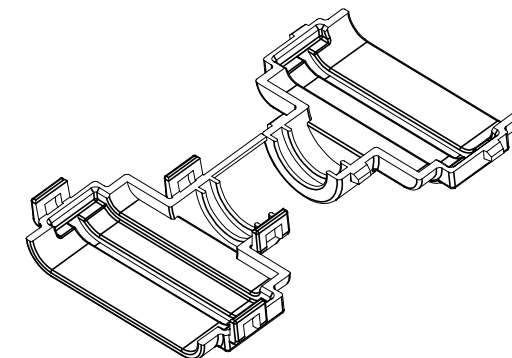
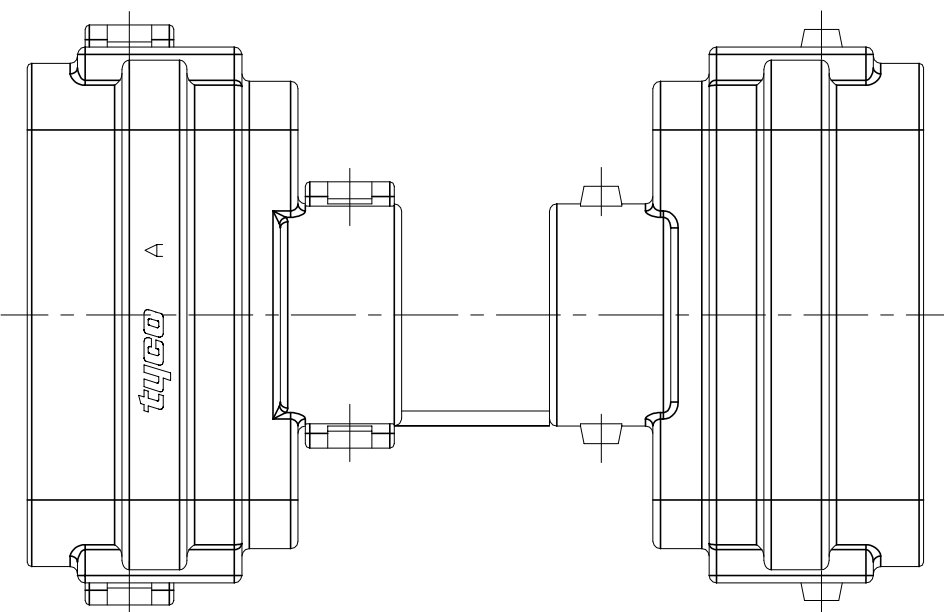
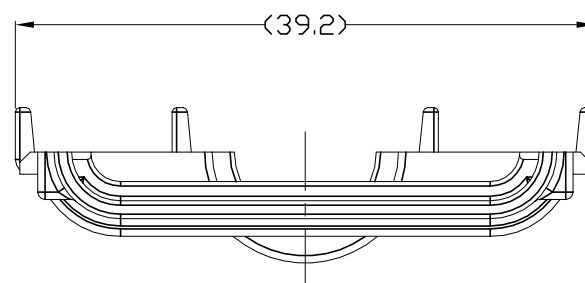
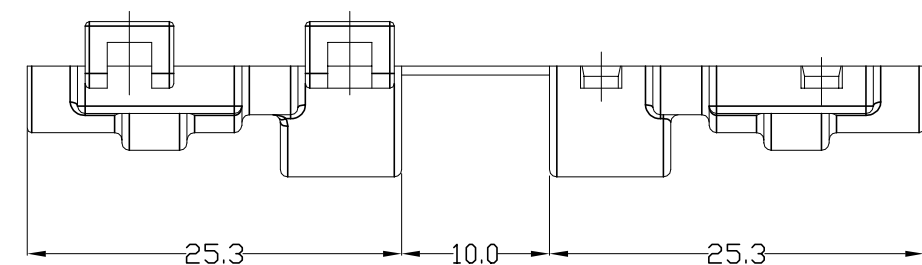
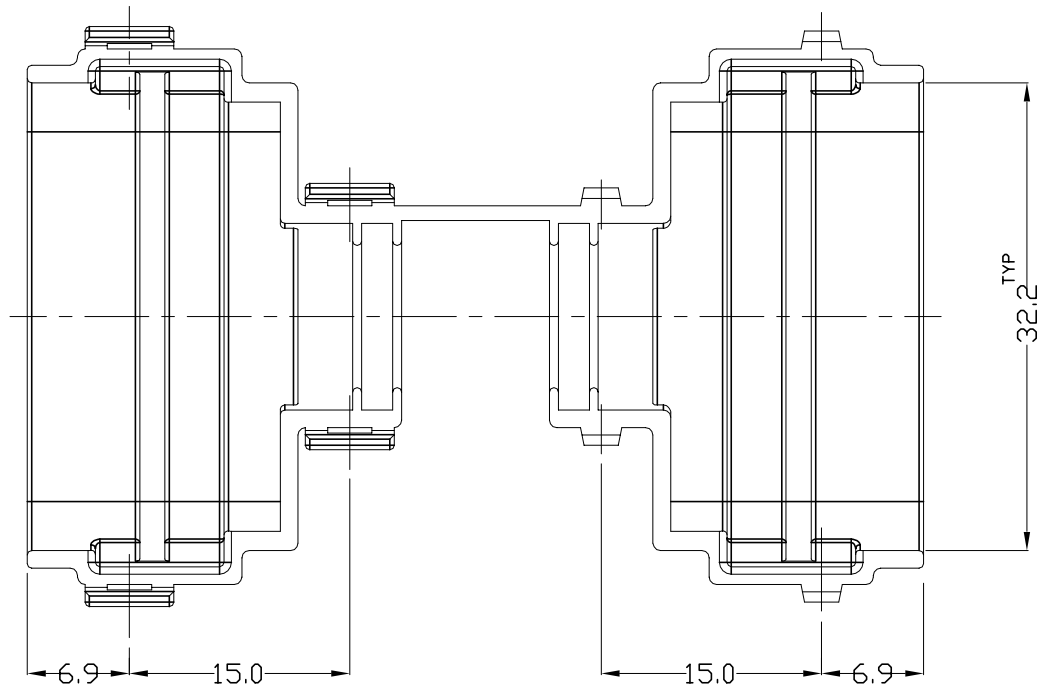
BY TYCO ELECTRONICS CORPORATION, ALL RIGHTS RESERVED.

LOC
DS

DIST

REVISIONS

P	LTR	DESCRIPTION	DATE	DWN	APVD
A		REVISED (ECR-20-014410)	01.DEC.'20	CI	YJ
B		REVISED (ECR-21-103298)	24.MAY.'21	JU	JJ



3-D VIEW
(SCALE 1/1)

NOTE ;

1. GENERAL TOLERANCES : ± 0.3 , $\pm 3^\circ$.
2. 0.15 MAX. WARPAGE AND 0.2 MAX. FLASH ARE PERMISSIBLE
3. APPLICABLE CORRUGATE TUBE : $\phi 9.0\text{mm}$.
- ④ 4. APPLICABLE CONN'R PART NO. : 936394
- ⑤ 5. APPLICABLE TEST SPEC : MS210-06-A2 (EXCEPT 4.4)

PA 66 703561-1	936398-2	BLACK
MATERIAL	PART NUMBER	COLOR

THIS DRAWING IS A CONTROLLED DOCUMENT FOR TYCO ELECTRONICS CORPORATION
IT IS SUBJECT TO CHANGE AND THE CONTROLLING ENGINEERING ORGANIZATION
SHOULD BE CONTACTED FOR THE LATEST REVISION.

DWN SJ CHOI

CHK JW JUNG

APVD HG CHO

PRODUCT SPEC

APPLICATION SPEC

WEIGHT



TE Connectivity

NAME
COVER HSG FOR 2.8mm SEALED 6P PLUG CONN'R

SIZE CAGE CODE DRAWING NO RESTRICTED TO
A3 00779 C- 936398

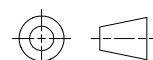
DIMENSIONS:
MM

TOLERANCES UNLESS
OTHERWISE SPECIFIED:

- 0 PLC \pm
- 1 PLC \pm
- 2 PLC \pm
- 3 PLC \pm
- 4 PLC \pm
- ANGLES \pm
- FINISH \pm

MATERIAL
SEE TABLE

3rd ANGLE PROJECTION



SCALE 2/1 SHEET 1 OF 1 REV B