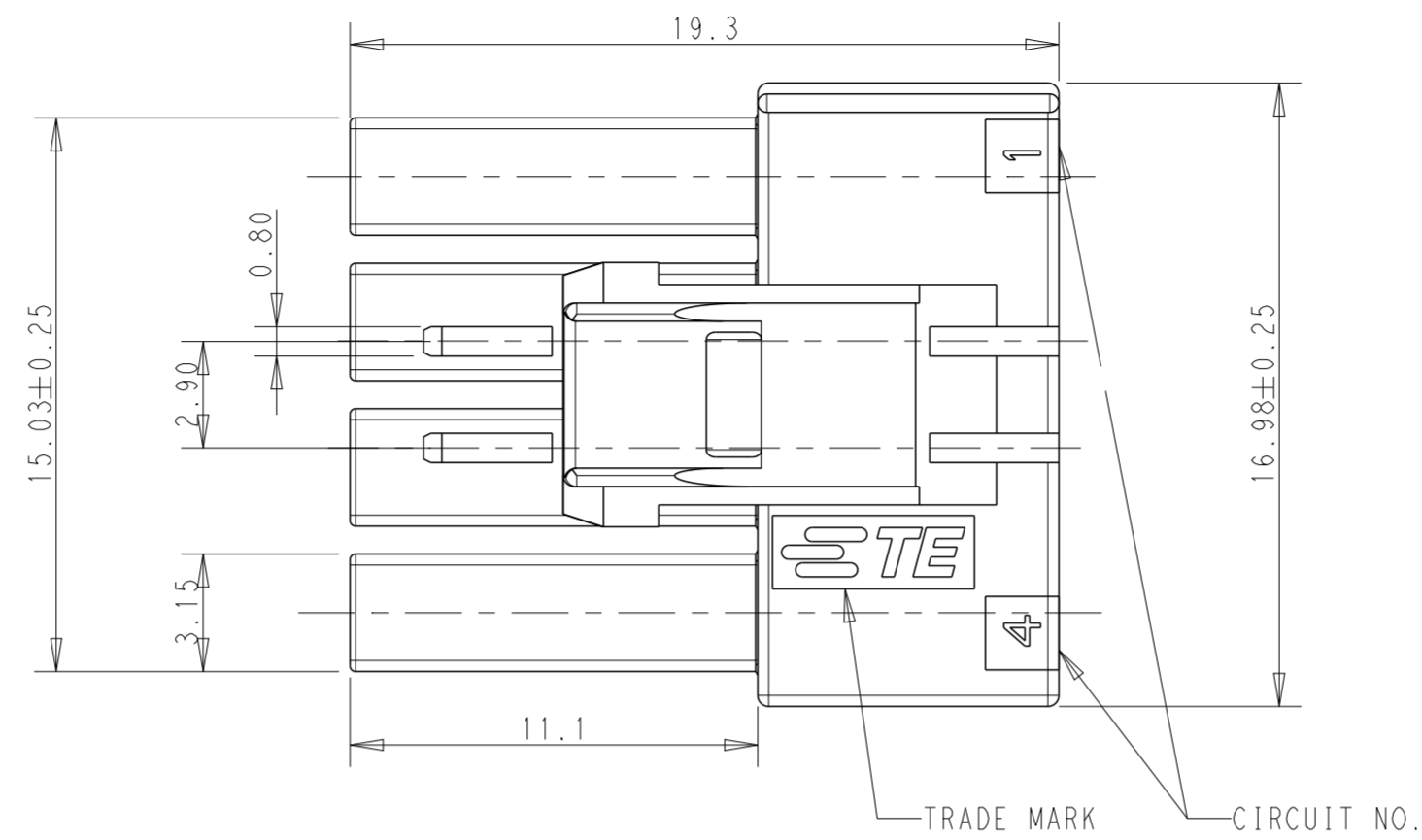
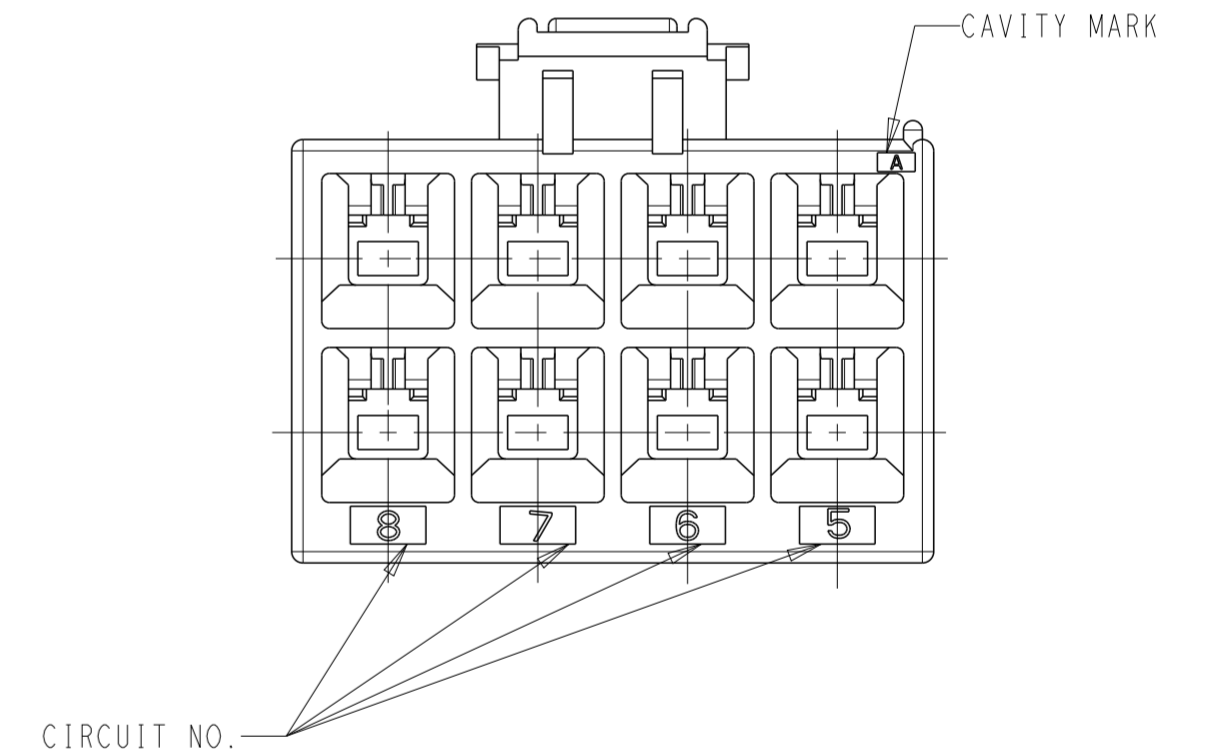
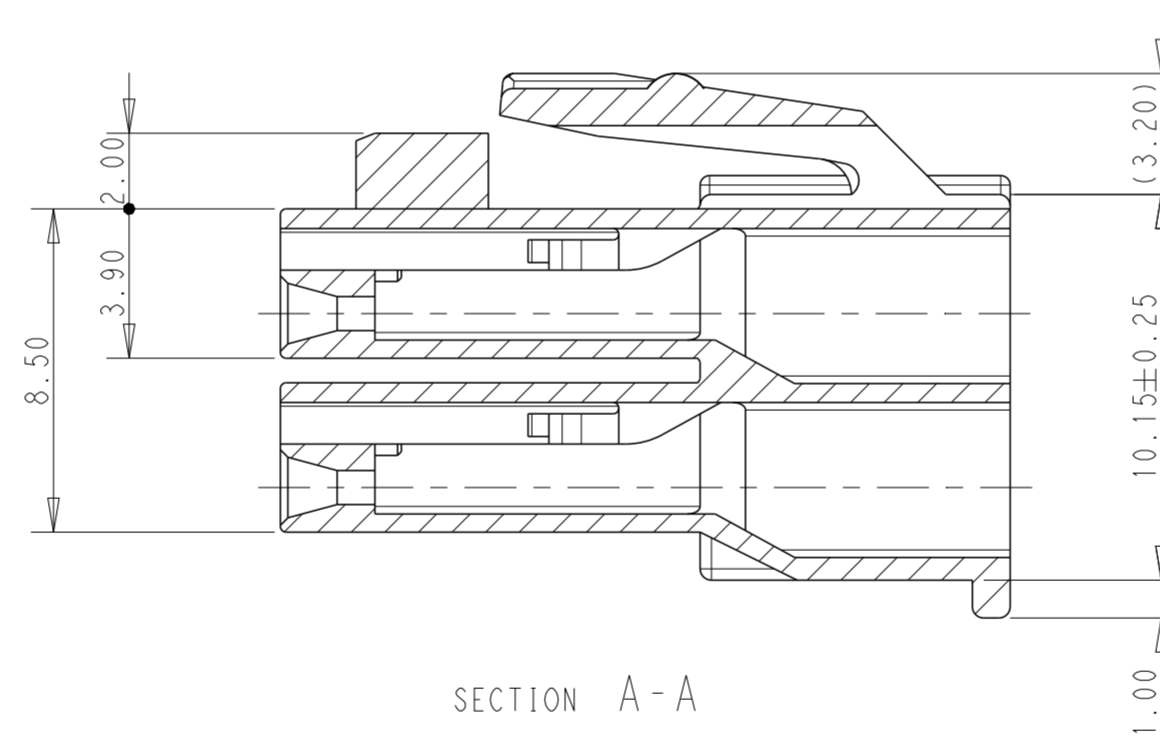
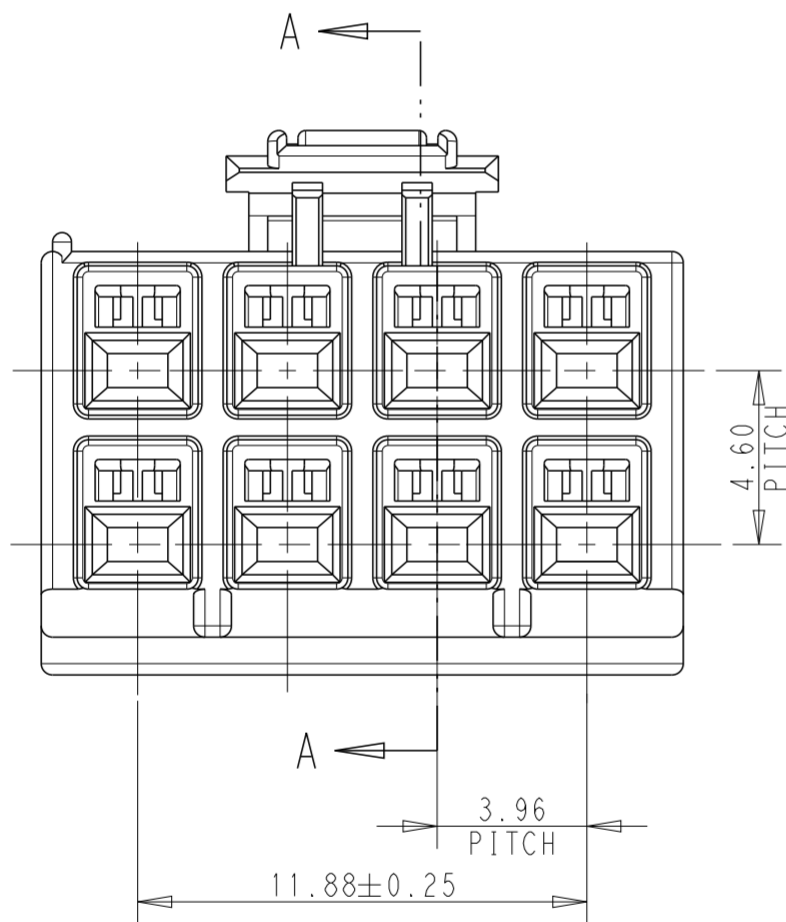


REVISIONS					
P	LTR	DESCRIPTION	DATE	DWN	APVD
B		REVISED PER ECR-20-100642	19SEP2022	M.G	D.Z



- 1 APPLICABLE CONTACT P/N:
 REC CONTACT: 175152-□ (20-16 AWG)
 175151-□ (26-22 AWG)
 - 2 MATING CONN. P/N:
 CAP HSG: 176286-□ (FREE HANGING)
 176296-□ (PANEL MOUNT)
 - 3 TAB CONTACT: 175150-□ (20-16 AWG)
 175149-□ (26-22 SWG)
- INSTRUCTION SHEET: IS-503J.



HOUSING COLOR	POSITION	PART NUMBER
BLACK	8	176275-9
BLUE	8	176275-6
YELLOW	8	176275-4
RED	8	176275-2
NATURAL	8	176275-1

THIS DRAWING IS A CONTROLLED DOCUMENT.		DWN M. SHINDO 23NOV1989	STE TE Connectivity		
DIMENSIONS: mm		CHK Y. FUJITA 23NOV1989			
TOLERANCES UNLESS OTHERWISE SPECIFIED:		APVD N. ONOUE 23NOV1989	NAME PLUG HOUSING, 3.96PITCH 8 POS AMP UNIVERSAL POWER CONN.		
0 PLC ± 1 PLC ±0.25 2 PLC ±0.2 3 PLC ± 4 PLC ± ANGLES ±3° FINISH -		PRODUCT SPEC 108-5302 APPLICATION SPEC 114-5142 WEIGHT -	SIZE A2	CAGE CODE 00779	DRAWING NO C-176275
MATERIAL 6/6 NYLON (UL94V-0)		CUSTOMER DRAWING	SCALE 5:1	SHEET 1 OF 1	RESTRICTED TO - REV C