

6

5

4

3

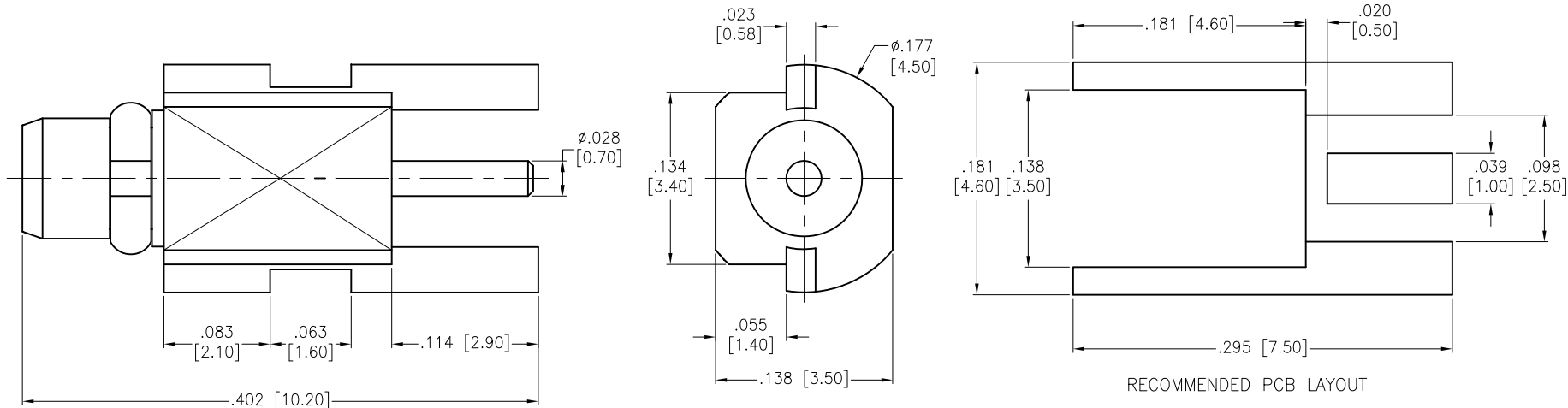
2

1

APPROVED: \_\_\_\_\_

DATE: \_\_\_\_\_ TITLE: \_\_\_\_\_

Rev	AWO #	Description	Date	Appr
-		RELEASED	7/20/16	



RING	BE CU	GOLD
CONTACT PIN	BRASS	GOLD
INSULATOR	PTFE	WHITE
BODY	BRASS	GOLD
DESCRIPTION	MATERIAL	FINISH

**SPECIFICATIONS:**

Electrical:  
 Nominal Impedance: 50 ohms  
 Frequency range: 0-6 GHz  
 Working Voltage: 170 VOLTS Max  
 Proof Voltage: 500 VOLTS  
 Temperature Rating:  
 Operating temperature: -55°C to +155°C  
 Environmental:  
 Lead free, RoHS compliant.



UNLESS OTHERWISE SPECIFIED ALL DIMENSIONS ARE INCHES [MM] TOLERANCES: EXCEPT AS NOTED		<b>ADAM TECH</b> 909 Rahway Avenue, Union, NJ 07083 Phone: 908-687-5000 Fax: 908-687-5710	
INCHES HOLES .X ± .10 Ø.X ± .10 .XX ± .020 Ø.XX ± .015 .XXX ± .015 Ø.XXX ± .010			
APPROVALS		TITLE	
DRAWN	AY	DATE	RF CONNECTOR, TYPE MMCX STR.
CHECKED	SY	DATE	50 OHM, PCB MOUNT, PLUG
APPROVED		DATE	
SIZE	PART NO.	REV.	
X	RF12-35A-T-00-50-G	-	
REF:	S00277T	SCALE:	NTS
		SHEET	1 OF 1

6

5

4

3

2

1