

WSPD SERIES

OCCUPANCY SENSORS AND CONTROLLERS

FEATURES

- Digital Passive Infrared (PIR) sensor
- Controls 0-10V dimmable ballasts
- Daylight sensor for daylight harvesting applications
- End mount and surface mount versions
- Interchangeable high/low area detection lens options
- Low temperature/Watertight/Indoor-Outdoor versions
- UL and cUL listed
- 5 year warranty



RELATED PRODUCTS

- Ø [WASP Lenses](#)
- Ø [Universal Voltage Power Packs](#)
- Ø [Heavy Duty Universal Voltage Power Packs](#)
- Ø [MPSHD Pack](#)
- Ø [MP347A Power Pack](#)

SPECIFICATIONS

CONSTRUCTION

- Sensor Module and Lens Assembly: high-impact, injection-molded plastic
- 7 oz. (198.45g)
- White, Black, Gray finishes available
- Ø4.0" x1.5" H (Ø 101.6MM x 38.1mm H)

ELECTRICAL

- Line Voltage sensors: 120-480VAC, 60Hz
- Low Voltage sensors: 24VDC "class 2" (uses UVPP or MP-series power - not included)
- 24VDC
- 120VAC: 10A Tungsten
- 120-347VAC: 5A Standard Ballast
- 120-277VAC: 5A Electronic Ballast
- 347VAC: 3A Electronic Ballast
- 480VAC: 3A Standard Ballast
- Capable of sinking up to 30mA
- 24VDC active high-logic control signal
- Relay: N/O + N/C contacts; 500mA rated @ 24VDC

OPERATION

- Indoor/Outdoor use
- Operating temperature: -40°F to 149°F (-40°C to 65°C)
- Twelve pin dip switch for initial choice of functionality

OPERATION CONTINUED

- 8-second test mode - 4, 8, 16 and 30 minute timeouts
- Enabled: After 60 minutes in the Unoccupied low level state, sensor will turn lighting off
- Disabled: Sensor will maintain low level setting when there is no occupancy
- Dual element pyrometer and spherical Fresnel lens designed for robust detection of walking person (when used with program start ballasts, a 1-2 second delay from occupancy detection to lamp turn-on may occur)

DIMMING PRESETS

- Unoccupied: 70%, 60%, 50%, 20%

DAYLIGHT SENSOR

- Range: 1 to 50fc or 5 to 500fc
- End mount sensor: Downward and upward facing daylight sensor (direction selectable via dip switch)
- Surface mount sensor: Downward facing daylight sensor only

INTERCHANGEABLE LENS OPTIONS AND COVERAGE

- Lens options: (Lenses sold separately - not included with sensor module)
- Low Mount/High Mount
- Indoor/Outdoor
- Coverage: 360°, 180°, Aisle, Half Aisle

CERTIFICATIONS

- Conforms with UL STD 508, UL STD 244A
- LWO version conforms to IP65

WARRANTY

- 5 year limited
- See [HLI Standard Warranty](#) for additional information

WSPD SERIES

OCCUPANCY SENSORS AND CONTROLLERS

ORDERING GUIDE

Example: WSPDLWOEMUNV-BK

CATALOG #

WSPD		Environment		Mounting		Input Voltage		Color	
Model		Blank	Standard Version	EM	End Mount	24V	24VDC (Low Voltage)	Blank	White
WSPD	0-10V Dimming WASP Sensor	LWO	Low-Temp/Watertight/Indoor/Outdoor	SM	Surface Mount	UNV	120-480VAC	BK	Black
								GY	Gray

Lens Ordering Guide

Example: WSPLWO-L360-LM-WH

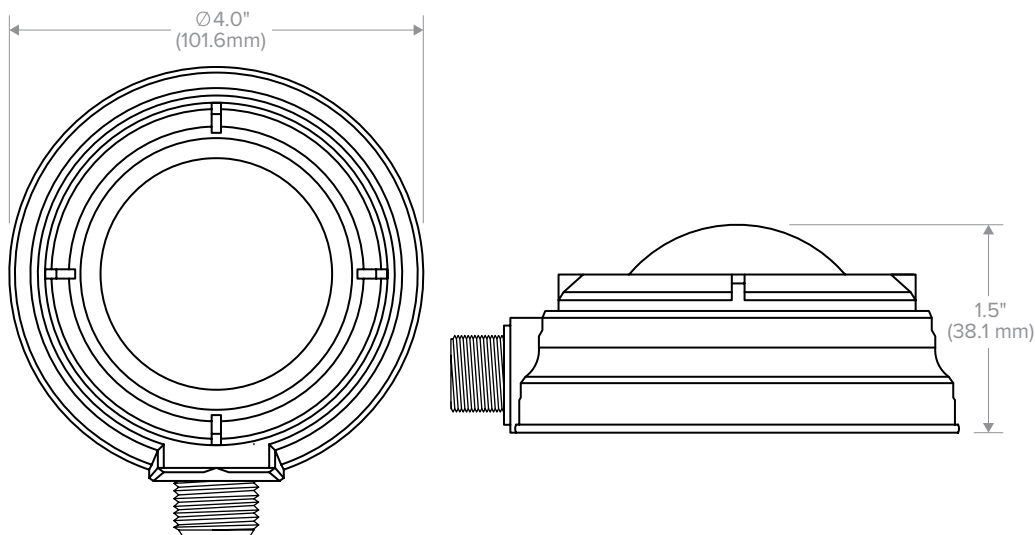
CATALOG #

WSP		Environment		Coverage		Mounting		Color	
Sensor Lens		Blank	Indoor Version	L360	360° Area Lens	Blank	High Mount	WH	White
WSP	WASP Sensor Lens	LWO	Low-Temp/Watertight/Outdoor Only	L180	180° Area Lens	LM	Low Mount	BK	Black
				LA	Aisle Lens			GY	Gray
				LHA	Half Aisle Lens				

Accessories

- WSPADAPTOR2 WASP End Mount Sensor Offset Adapter

DIMENSIONS

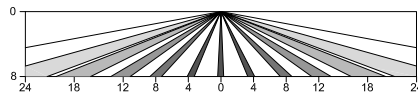
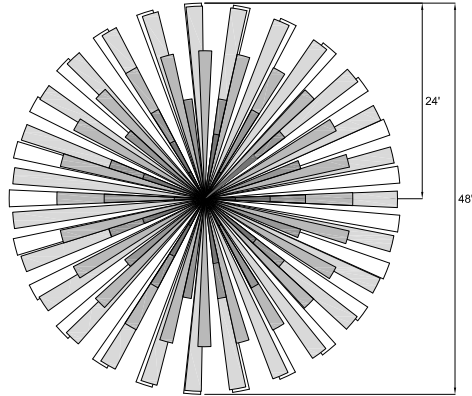


WSPD SERIES

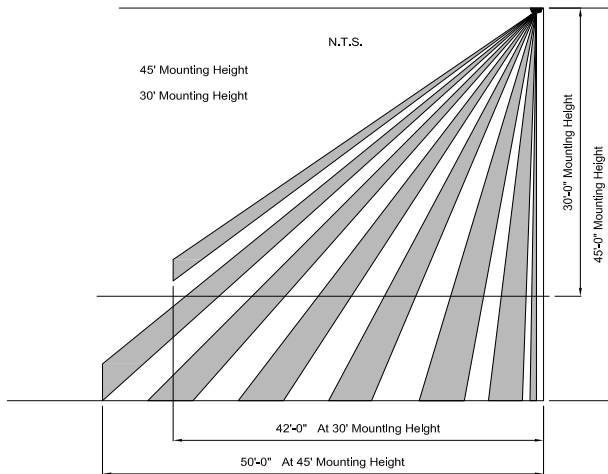
OCCUPANCY SENSORS AND CONTROLLERS

ADDITIONAL INFORMATION

Coverage Patterns



**Sensor Lens Coverage and Detection Patterns
When Mounted at 8ft with Low Mount Lens**



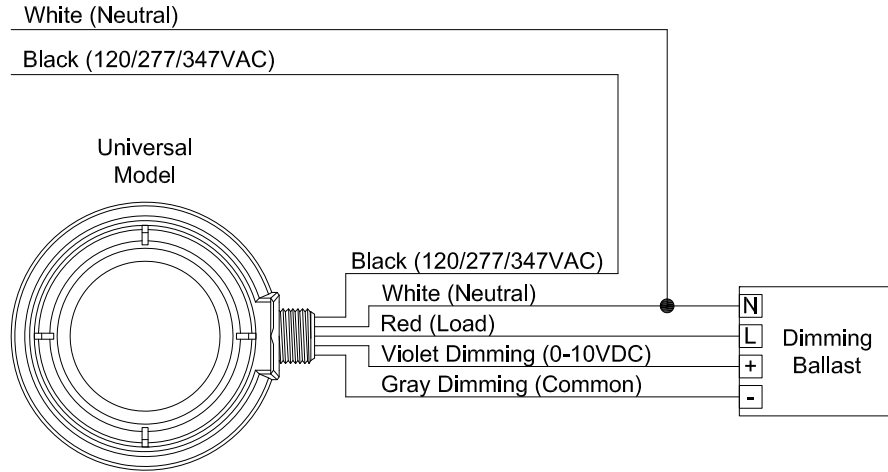
**Sensor Lens Coverage and Detection Patterns
When Mounted at 30ft and 45ft with Standard Lens**

WSPD SERIES

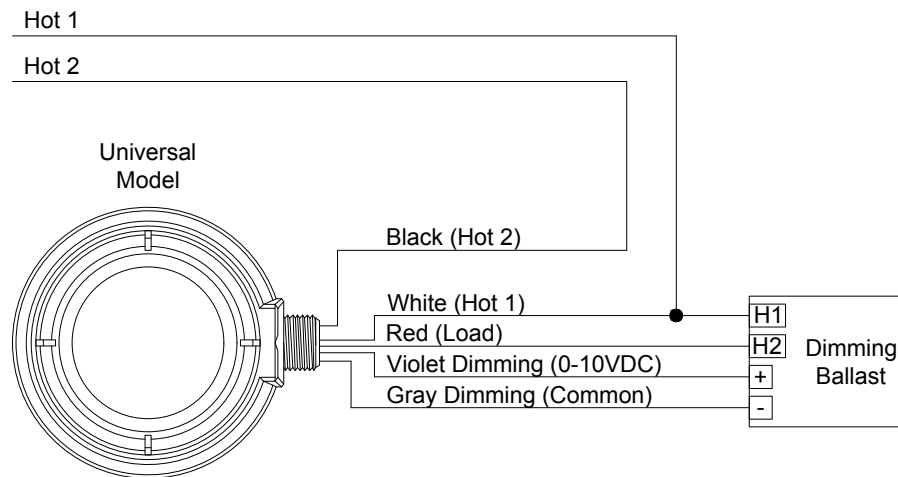
OCCUPANCY SENSORS AND CONTROLLERS

ADDITIONAL INFORMATION CONTINUED

Wiring Diagrams



120/277/347VAC
Wiring Diagram



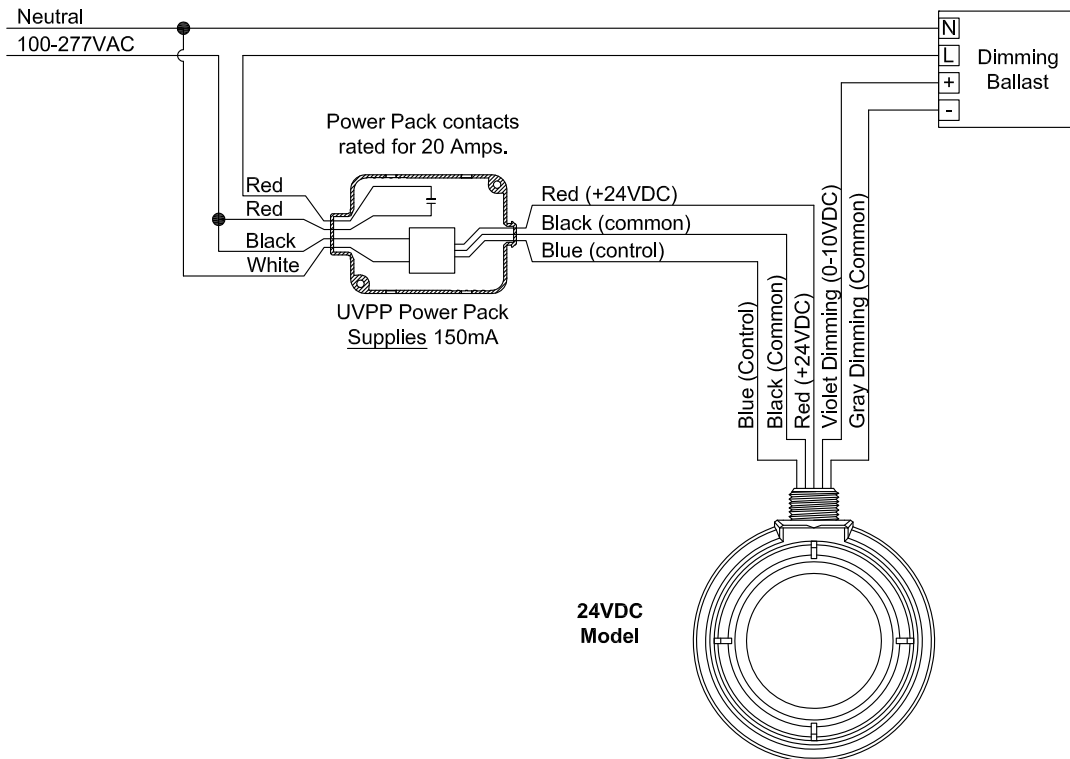
208/240 & 480VAC
Wiring Diagrams

WSPD SERIES

OCCUPANCY SENSORS AND CONTROLLERS

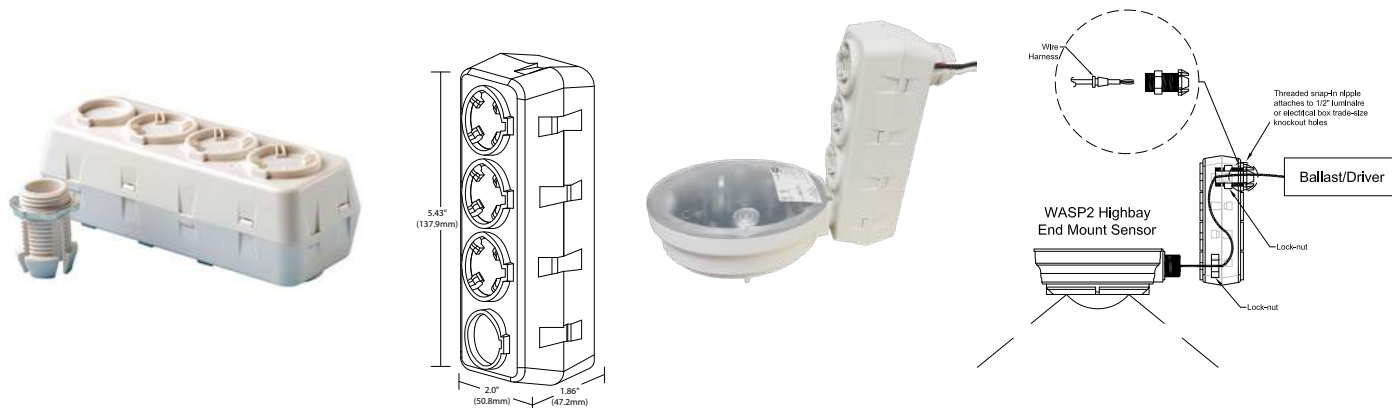
ADDITIONAL INFORMATION CONTINUED

Wiring Diagrams Continued



24V Dimming WASP
Wiring Diagram

Accessories



The Optional WSPADAPTOR2 offset adaptor can be used to improve the field of view for fixture mounted sensors where the geometry of the fixture might otherwise interfere with the sensor's performance. The adapter snaps into a standard 1/2" (12.7mm) knockout on the end of the fixture and provides several mounting position choices for the sensor.

© All product and company names, logos and product identifiers are trademarks™ or registered trademarks® of Hubbell Lighting, Inc. or their respective owners. Use of them does not necessarily imply any affiliation with or endorsement by such respective owners.