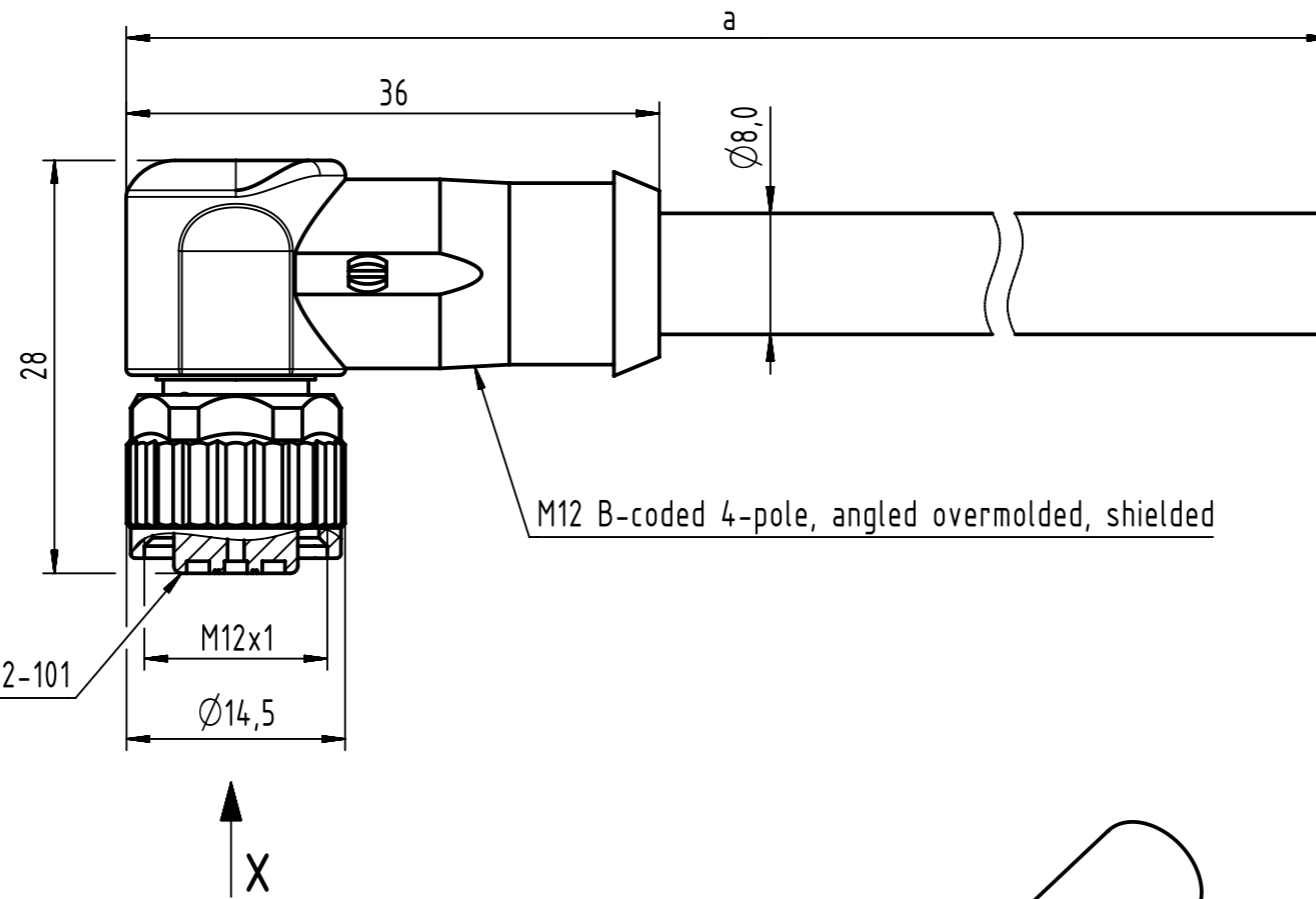


Connector Location A

Connector Location B

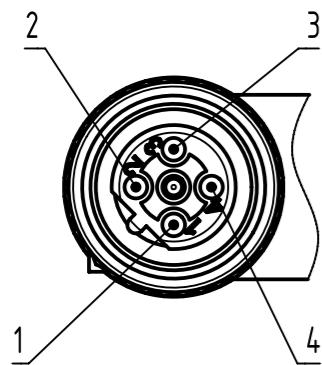


Mating face acc. to IEC 61076-2-101

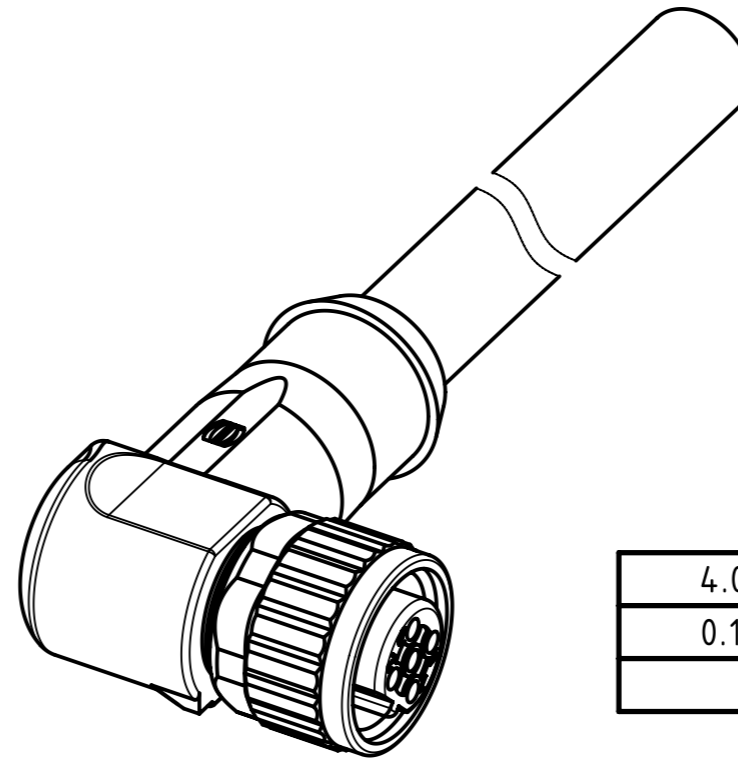
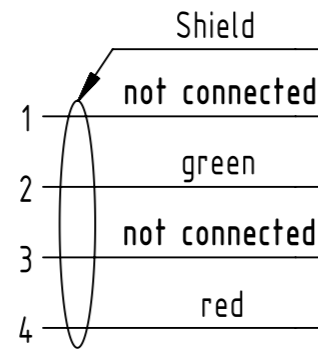
M12 B-coded 4-pole, angled overmolded, shielded

X

X female



Loading-Plan:



4.0 to 40	±1%
0.1 to 3.9	+0.04
a [m]	Tolerance

length in "1m" step	40	XXX=40
	39	XXX=39
	.	.
	12	XXX=120
	11	XXX=110
length in "0.1m" step	10	XXX=100
	9.9	XXX=099
	9.8	XXX=098
	.	.
	0.4	XXX=004
	0.3	XXX=003
	0.2	XXX=002
0.1	XXX=001	
Step	a [m]	XXX

PVC violet, 2xAWG22	21349100486XXX
Type of cable	Part no.

- Protection level: IP67
- Temperature range: -30°C ... +80°C

	All rights reserved	Created by COSTEA	Inspected by MUNTEANV	Standardisation MUNTEANV	Date 2018-12-18	State Final Release
	Department HCS - RO	Title M12 Cable Assembly B-cod an/- f/-		Doc-Key / ECM-Nr. 100580594/UGD/009/B 500000145021		Rev. B
HARTING Customised Solutions		Type TB	Number 21349100486XXX		Page 1/1	
D-32339 Espelkamp						