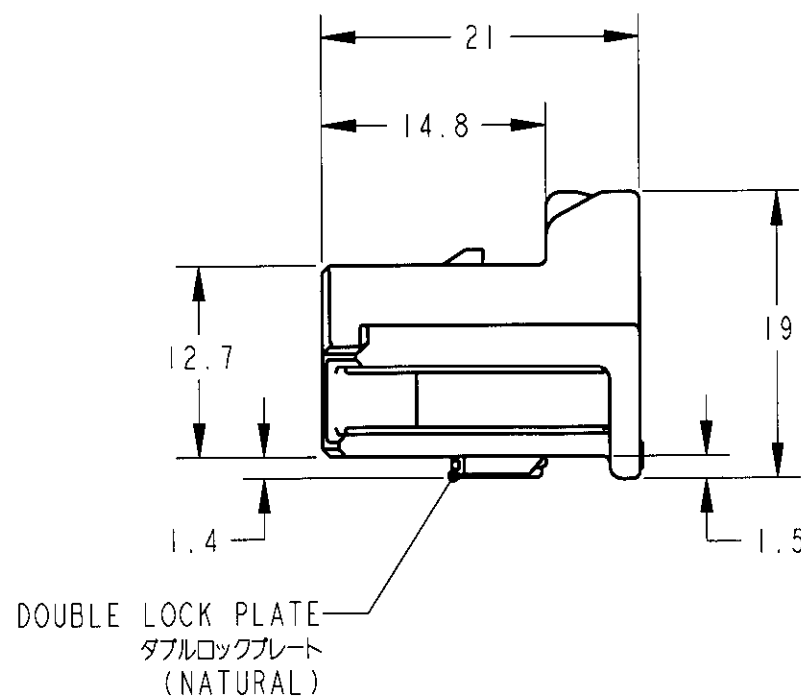
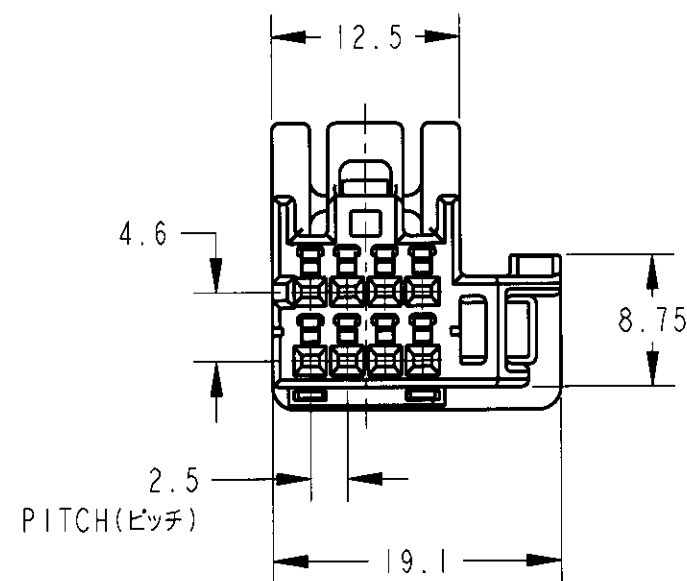
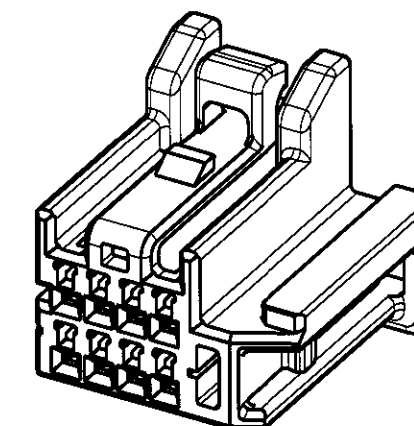
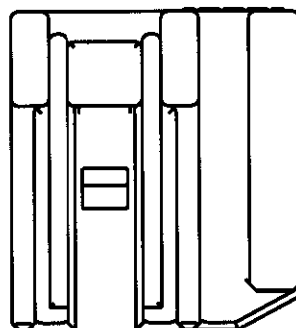


LOC J
DIST -

REVISIONS
変更

P	LTR	DESCRIPTION	ECN	DATE	DWN	APVD
0		RELEASED	FJ00-0056-00	13JAN00	ES	MT
01		REVISED 誤記訂正	FJ00-0348-00	25FEB00	ES	MT



1. INSTRUCTION SHEET : 411-5930

1. 取扱説明書 : 411-5930

316836 316837(Au)	LIGHT GRAY 灰色	1318828-6
APPLICABLE CONTACT PART NUMBER 適用端子型番	COLOR 色	PART NUMBER 型番

THIS DRAWING IS A CONTROLLED DOCUMENT FOR AMP INCORPORATED. IT IS SUBJECT TO CHANGE AND THE CONTROLLING ENGINEERING ORGANIZATION SHOULD BE CONTACTED FOR THE LATEST REVISION.		DWN E. SASAKI 13JAN00	AMP Tyco Electronics AMP K.K. Kawasaki, Japan
DIMENSIONS: 単位: 耗 mm		CHK H. KITAMURA 13JAN00	
TOLERANCES UNLESS OTHERWISE SPECIFIED: 一般公差 = ± 0.5		APVD M. TSUKAKOSHI 13JAN00	NAME 8 POS. PLUG ASSEMBLY , AIR BAG COLUMN CONNECTOR 8極 プラグ アセンブリ , エアバッグ コラム コネクタ
0-PLC ± 1-PLC ±0.1 2-PLC ±0.01 3-PLC ±0.001 4-PLC ±0.0001 ANGLES ±1°00'		PRODUCT SPEC 108-5650	SIZE A3
MATERIAL 材料 PBT		APPLICATION SPEC 取付適用規格 114-5217	CAGE CODE 00779
		WEIGHT 3.2 g	DRAWING NO ①=1318828
		CUSTOMER DRAWING	RESTRICTED TO
		SCALE 尺度 2.1	SHEET OF 1
			REV 01