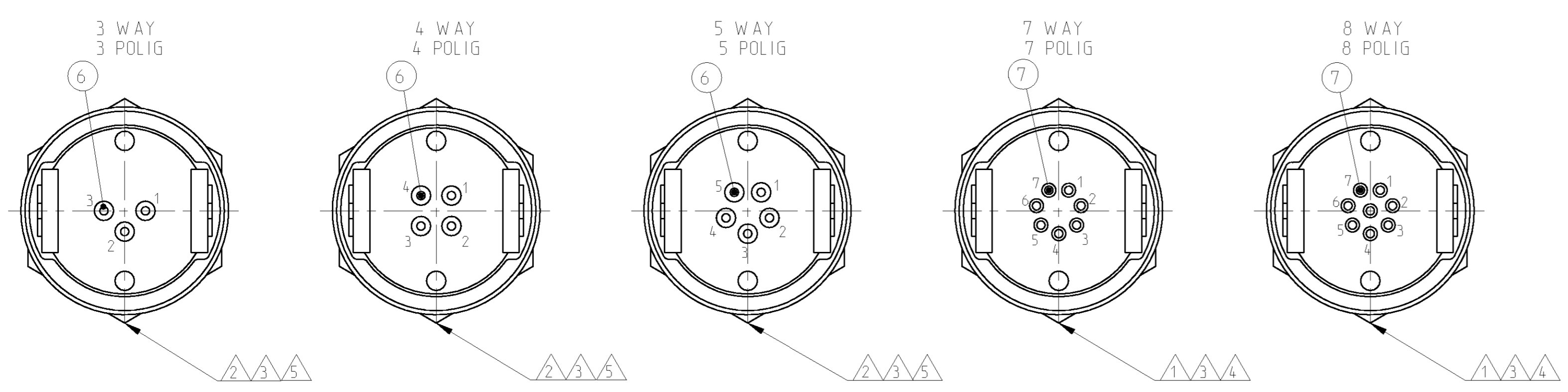
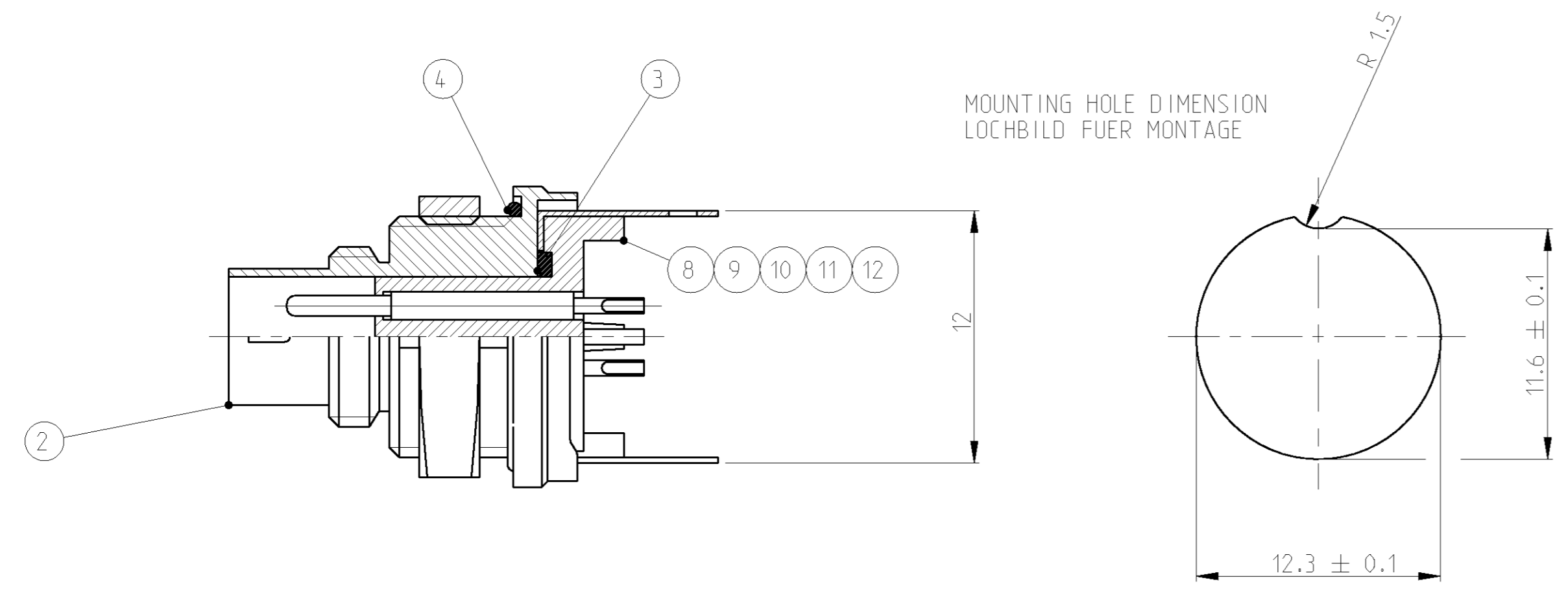
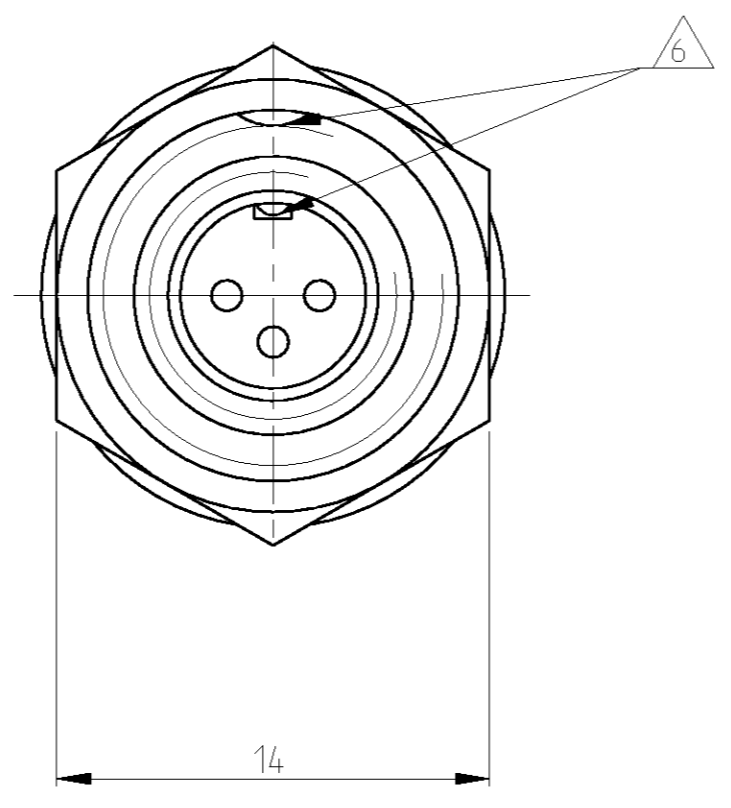
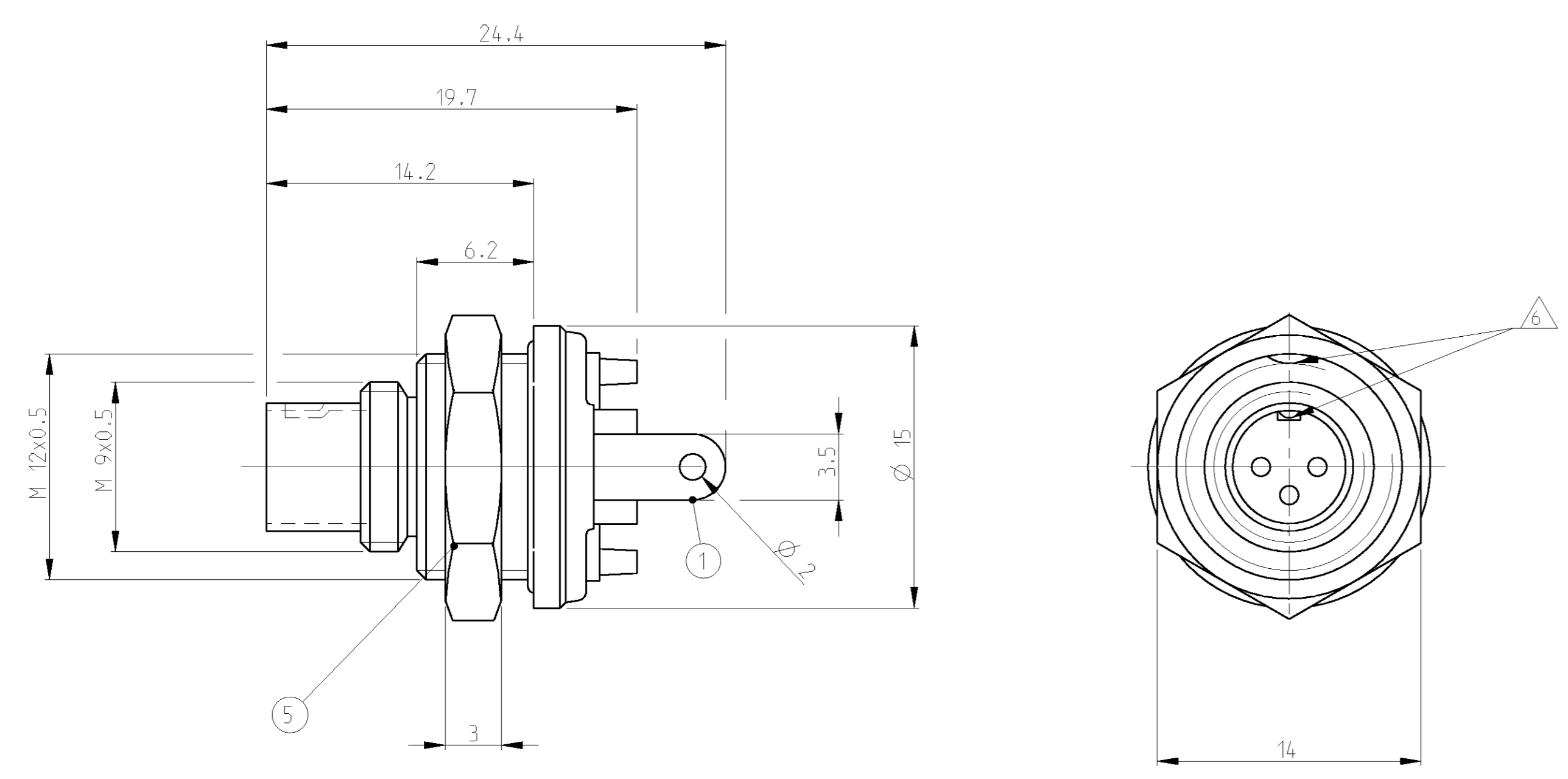


LOC	DIST	REV	DATE	BY	APP
A1	-	1	19JUN2001	NG	GF
A2	-	2	06DEC2002	NG	GF



MATERIAL / MATERIAL: PBT, UL-94 V2	△
SHELL MATERIAL / GEHAUSEMATERIAL: CUZN	
FINISH / BESCHICHTUNG: TRIBOR 4 μm	
CODING / KODIERUNG	△
WIRE GAGE / DRAHTGROESSE IN mm ² : 0.25	△
WIRE GAGE / DRAHTGROESSE IN mm ² : 0.14	△
CONTACT RESISTANCE / KONTAKTWIDERSTAND: => 5 mΩ	△
RATED CURRENT PER CONTACT / NENNSTROM PRO KONTAKT: 3 A	△
RATED CURRENT PER CONTACT / NENNSTROM PRO KONTAKT: 1 A	△
SHELL PROTECTION CLASS / SCHUTZKLASSE: IP 65 / DIN 40050	
TERMINATION: SOLDERING / VERBINDUNG: LOETKONTAKTE	
TEST VOLTAGE / PRUEFSPANNUNG: 500 VAC	
OPERATING VOLTAGE / BETRIEBSSPANNUNG: 60 VAC	
OPERATING TEMPERATURE: -40°C TO +80°C / ARBEITSTEMPERATUR: -40°C BIS +80°C	
MATING CYCLES / STECKZYKLEN: 500 MAX.	
TECHNICAL DATA TECHNISCHE DATEN	



TYCO-NO. / TYCO NR.	QTY REQD PER ASSY	DESCRIPTION / BESCHREIBUNG	ITEM-NO. TEIL-NR.
9-1437719-3	1	INSULATION TUBE 8 POS. / ISOLIERHUELSE 8 POL.	12
9-1437719-0	1	INSULATION TUBE 7 POS. / ISOLIERHUELSE 7 POL.	11
8-1437719-7	1	INSULATION TUBE 5 POS. / ISOLIERHUELSE 5 POL.	10
8-1437719-4	1	INSULATION TUBE 4 POS. / ISOLIERHUELSE 4 POL.	9
8-1437719-1	1	INSULATION TUBE 3 POS. / ISOLIERHUELSE 3 POL.	8
8 7		PIN APPLIED BY PRESSURE / STIFTKONTAKT EINGEPRESST	7
5 4 3		PIN APPLIED BY PRESSURE / STIFTKONTAKT EINGEPRESST	6
1 1 1 1 1		NUT / MUTTER	5
1 1 1 1 1		SEAL / DICHTUNG	4
1 1 1 1 1		SEAL / DICHTUNG	3
1 1 1 1 1		HOUSING / GEHAUSE	2
1 1 1 1 1		GROUND ON SOLDER FLAG FAHNE FUER MASSEVERBINDUNG	1
- - - - -		REVISION OF EACH ASSY NO. (WHEN BLANK, USE DWG REV.)	
T01-0580-P08			
T01-0580-P07			
T01-0580-P05			
T01-0580-P04			
T01-0580-P03			
CATALOG-NO.			

DIMENSIONS: MASSENMETREN: (mm)	TOLERANCES, UNLESS OTHERWISE SPECIFIED: ALL DIMENSIONS	DWN: H. SCHERER 19JUN2001	tyco Electronics AMP GmbH D - 64625 Bensheim
MATERIAL: -	FINISH: SOLDER PLATING -	APVD: H. SCHERER 19JUN2001	NAME: T01 MALE PLUG CONN. PANEL MNT. SOLDER VER. 3-8 POS. 180 DEG. T01 STIFTSTECKER-EINBAU-LOETVERS. 3-8 POL. 180 GRAD
WEIGHT: BEWICHT -	CUSTOMER DRAWING -	SCALE: MASSSTAB -	SHEET: BLATT 1 OF 1

8-1437719-1 AS SHOWN
WIE GEZEICHNET