

NEW



microSD™ Memory Card and SIM Card
Combo Connector

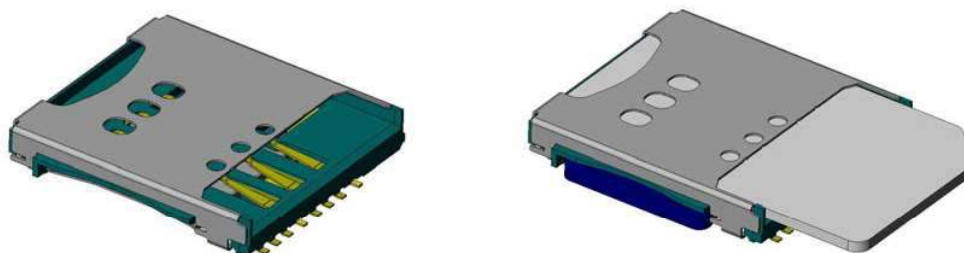
CONNECTOR

MB-0167-1

March 2007

ST5 Series

RoHS Compliant



< Outline >

The ST5 Series are combo connectors with one-piece type external connectors for micro SD™ card and GSM11.11 standard compatible Plug in SIM card.

* microSD™ is a trademark of SD Card Association.

Features

- Combo connector compatible with slide type GSM11.11 standard Plug-in SIM card and reverse mounting push-push structure microSD™, standardized by the SDA™.
- With 1mm push stroke and 3.3mm card eject length.
- With card half lock structure
- With a countermeasure to prevent the card from popping out.
- Card insertion detection structure (D-SW), Normally open
- Shield characteristic is secured by the 4 ground connection points.
- Slim design with 2.8mm height, 17.35mm depth and 19.2mm width (depth including card: 19.2mm x 26mm)
- Supply for automatic mounting in embossed tape (Compatible to second reflow)

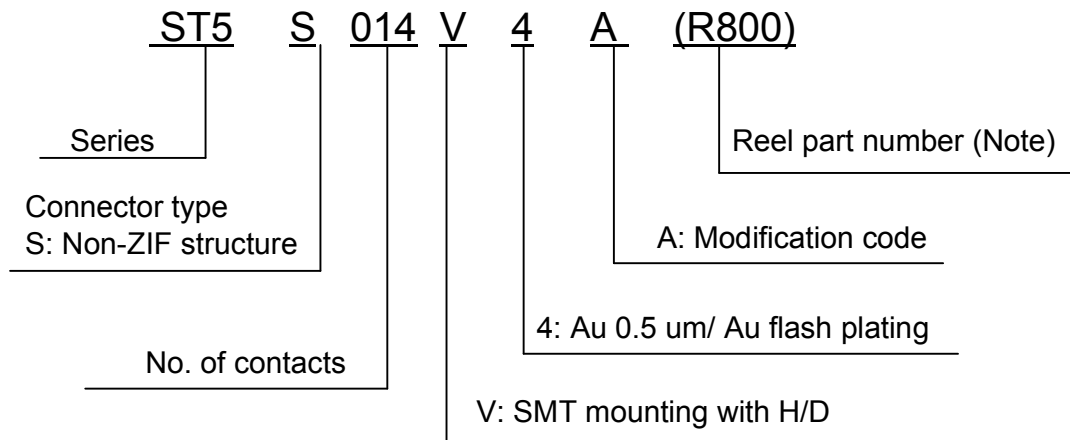
General Specifications

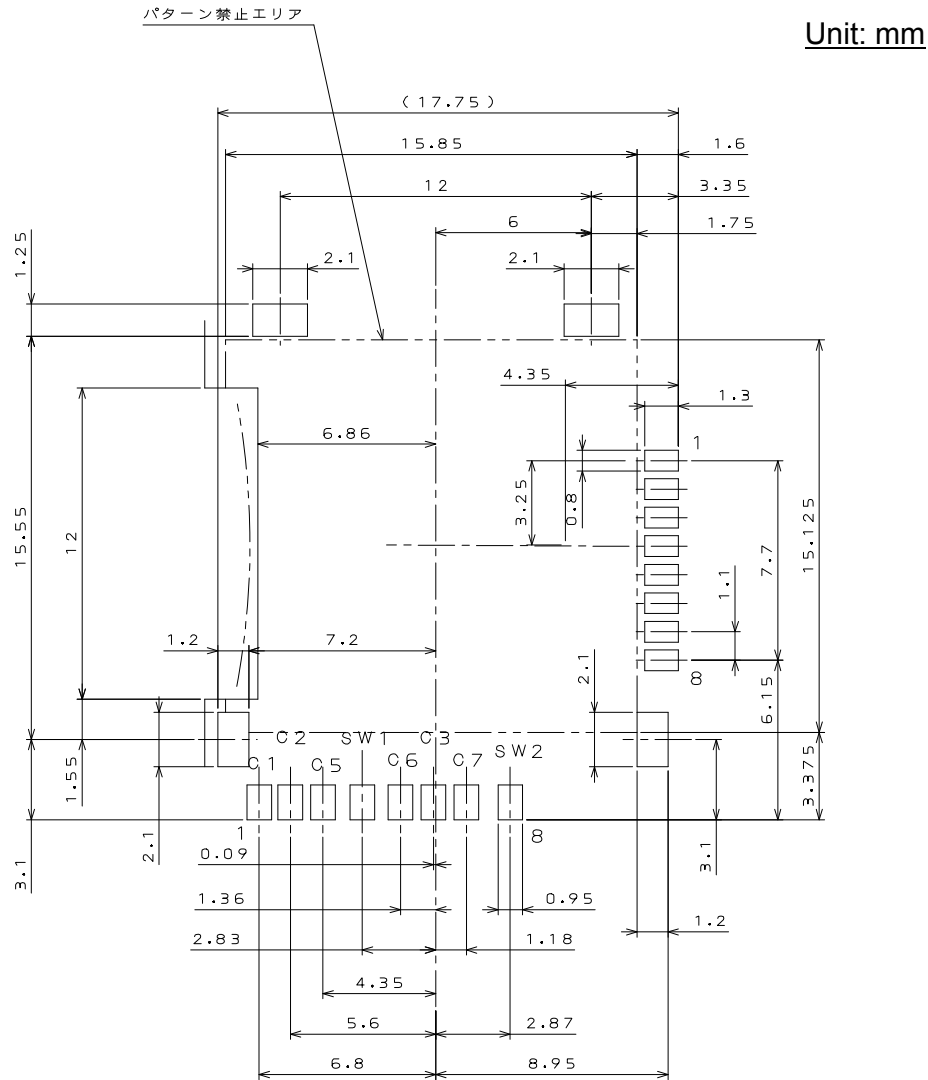
- | | |
|--|---|
| ■ No. of contacts : 14 pos.+2pos. (D-SW) | ■ Rated current: 0.5A/ per pin |
| ■ Contact resistance: 100m ohm max. | ■ Rated voltage: 10V/ per pin |
| ■ Dielectric withstanding voltage :
AC500Vr.m.s. per minute | ■ Insulation resistance: 1000M ohm min. |
| ■ Operating temperature:
-25 Deg. C to +85 Deg. C | ■ Lifetime: 5,000/ 10,000 times |
| ■ Storage temperature:
-10 Deg. C to +60 Deg. C | ■ Temperature rise: 30 Deg. C rise max. |

Materials and Finishes

Components	Materials /Finishes
Signal contact (microSD, SIM in common)	Copper Alloy/ Contact: 0.5um min. Au plating over Ni Terminal: Au flash plating over Ni
Housing	Synthetic resin/ No (UL94V-0)
Cover frame	Stainless steel/ terminal area: Au flash plating over Ni
Eject bar	Synthetic resin/ No (UL94V-0)
Spring	Stainless steel/ None
D-SW contact	Plating: Compliant to finish of signal contact
Lock	Stainless steel/ None
Cam follower	Stainless steel/ None

Ordering Information





Applicable board dimensions
(for reference)

Note) An embossed tape reel contains 800 pcs.

Please contact us for details on embossed tape specifications.

Notice: Products shown in this leaflet are made for the applications listed below. However, if the above-mentioned products are to be used in aerospace devices, marine cable-connection devices, atomic power control systems, medical equipment for life-support systems, or any other specific application requiring extremely high reliability, please contact JAE for further information.
Recommended applications: computers, office machines, measuring devices, telecommunication devices (terminals, mobile devices), AV devices, household applications, FA devices, etc.

Japan Aviation Electronics Industry, Limited

Product Marketing Division
Aobadai Building, 3-1-19, Aobadai, Meguro-ku, Tokyo 153-8539
Phone: +81-3-3780-2787 FAX: +81-3-3780-2946

* The specifications in this brochure are subject to change without notice. Please contact JAE for information.