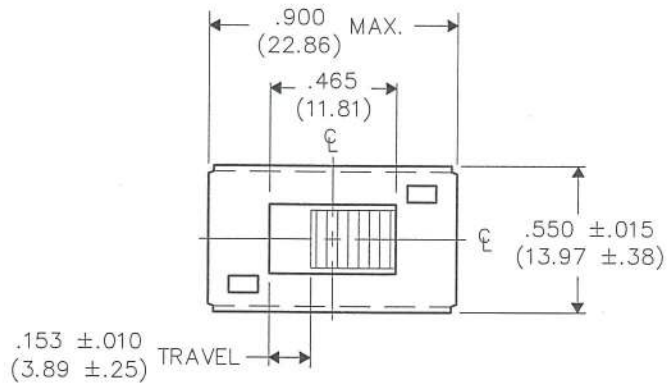


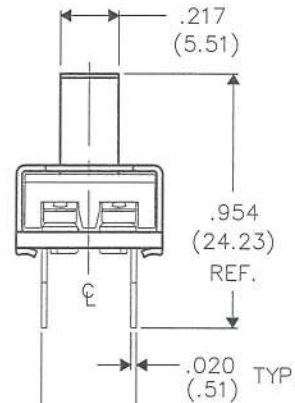
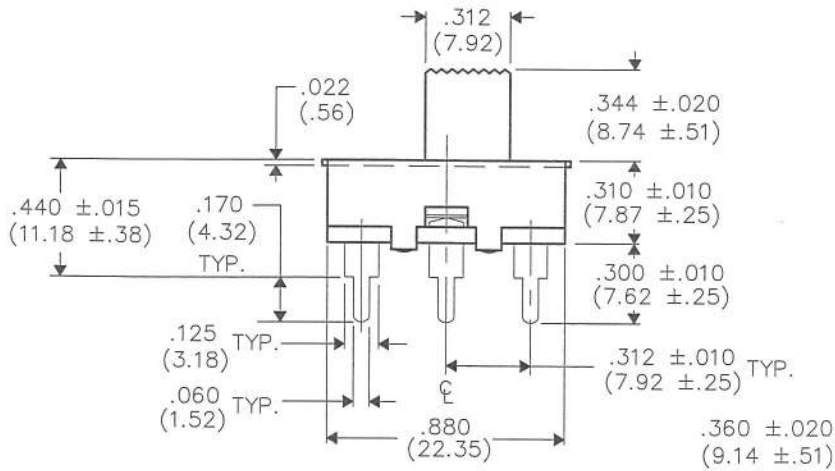
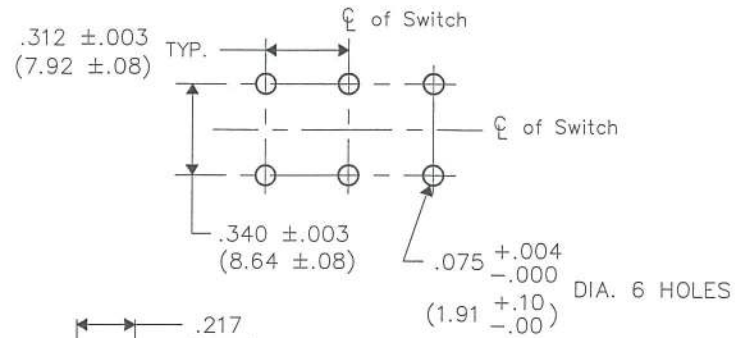
THIS INFORMATION IS CONFIDENTIAL AND PROPRIETARY TO CW INDUSTRIES INCORPORATED AND ITS AFFILIATES. IT MAY NOT BE DISCLOSED TO ANYONE, OTHER THAN CW INDUSTRIES PERSONNEL, WITHOUT WRITTEN AUTHORIZATION FROM CW INDUSTRIES INCORPORATED, SOUTHAMPTON, PENNSYLVANIA USA.

DIMENSIONS IN INCHES (MILLIMETERS)
DO NOT SCALE DRAWING

Dwg. No.
GF-426-0020



P.C. LAYOUT



1 2 3 4 5 6 7 8 9 10

B-FORMAT 2002 REVISIONS RELEASED: DGW 7-15-13 JUL 19 2013	0							CW INDUSTRIES Southampton, Pa. 18966 <small>TOLERANCES UNLESS OTHERWISE SPECIFIED</small> 2 Place Decimal ±.010 METRIC 3 Place Decimal ±.005 1 Place Dec. ±.25mm Angles ±1' 2 Place Dec. ±.13mm		Title: SWITCH ASSEMBLY D.P. - D.T.	
							Made for: CW IND.		Division: SWITCH		
							Drawn by: DGW 7-15-13		Dwg. No. GF-426-0020		
							Checked by: <i>G. Guld 7-16-13</i> Approved: <i>G. Guld 7-16-13</i>				

MASTER