



MADE
IN THE USA

Product Description:

- Glove Box Dispenser - Quad
- Holds four boxes of gloves
- Three-way keyholes for vertical or horizontal wall mounting
- Stainless Steel

Primary Area for Product Usage:

- Anywhere gloves are needed

Dispenses:

- Boxes no larger than 5.25"W x 11.00"H x 3.75"D (13.3 cm x 27.9 cm x 9.5 cm)
- Boxes no smaller than 4.25"W x 8.00"H x 2.80"D (10.8 cm x 10.8 cm x 7.1 cm)

Package Specifications:

- Package Quantity: 4 per case
- 26"W x 11"H x 8"D (66.0 cm x 27.9 cm x 20.3 cm)
- 14.0 lbs (6.4 kg) - approximated

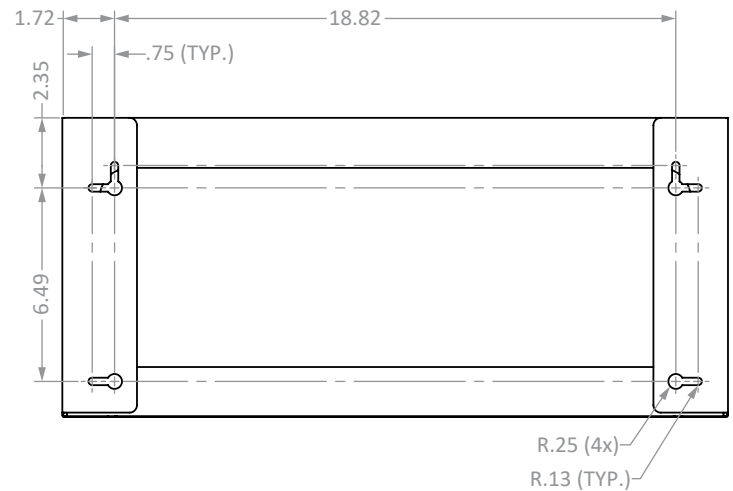
Product Specifications (overall external dimensions):

- 22.32"W x 9.99"H x 3.81"D (56.7 cm x 25.4 cm x 9.7 cm)
- 2.4 lbs (1.1 kg) - approximated

Mounting Specifications:

Related Products (each sold separately):

- GS-004: Glove Box Dispenser - Single (shown below)
- GS-005: Glove Box Dispenser - Double
- GS-006: Glove Box Dispenser - Triple

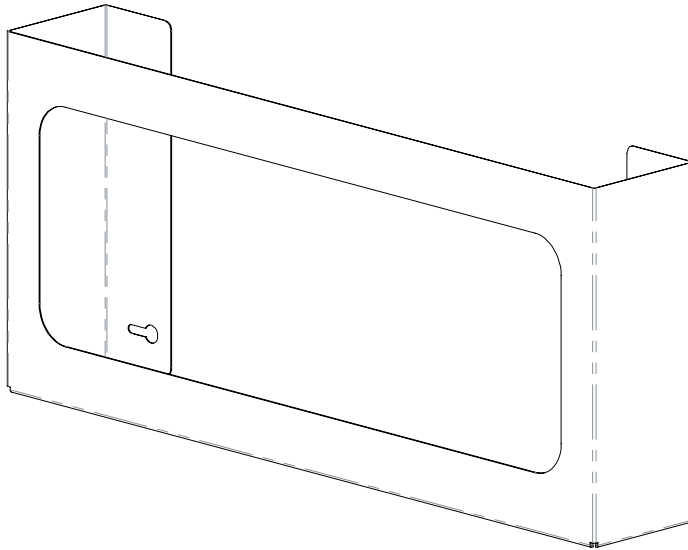




Installation

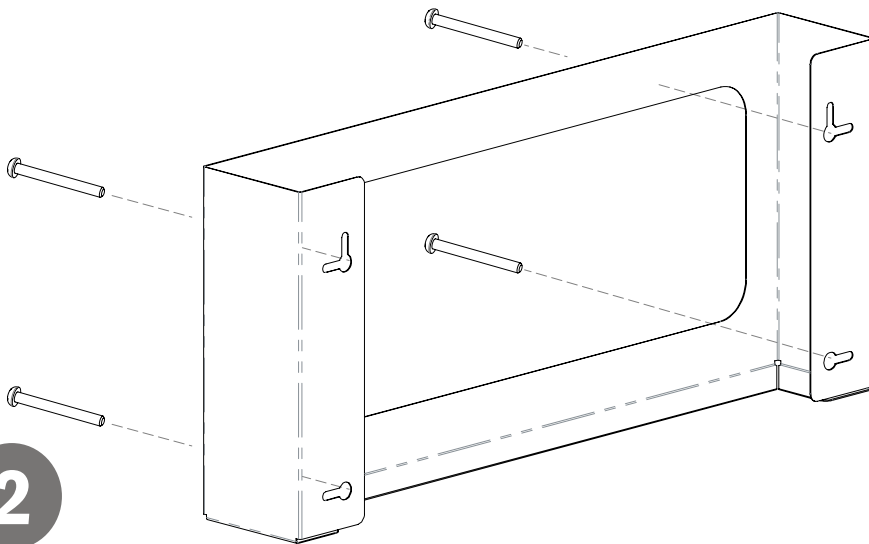
Always mount dispensers securely *prior* to loading with product.

- Open design will accommodate four same-size boxes or differing widths.



1

- Mount securely to a wall with screws approved and supplied by building maintenance.



2

Parts included:

- Dispenser

Tools Required:

- No tools required to assemble dispenser

Care and Construction

Stainless Steel

Material Characteristics

Designed for Long-Term, Heavy-Duty Applications

By its nature, stainless steel is resistant to corrosion and oxidation, yet the bright, easily maintained surface provides a modern and attractive appearance. Stainless steel is used overwhelmingly for its corrosion resistance characteristics. Along with being sturdy, stainless steel is also fire and heat resistant.

Stainless steel has work-hardening properties, giving the material a great strength-to-weight advantage over other materials. It also provides impact resistance and high toughness in extreme temperatures.

Care and Cleaning

Stainless steel resists a variety of common chemicals and cleaning agents. Clean using warm water, a gentle detergent, and soft cloth. Dry thoroughly to avoid spotting. Do not use steel wool.