

# VS-M12FSBP-OE-936-2,0 - Device connector, rear mounting



1416578

<https://www.phoenixcontact.com/pc/products/1416578>

Please be informed that the data shown in this PDF document is generated from our online catalog. Please find the complete data in the user documentation. Our general terms of use for downloads are valid.



Device connector, rear mounting, PROFINET CAT5 (100 Mbps) CAT5 (100 Mbps), 4-position, Flush-type female connector, straight, M12-SPEEDCON, coding: D , on free cable end, Rear mounting, Alternative product in accordance with RoHS II without Exemption 6c (Pb <0.1%) item no.: 1239136

## Your advantages

- Preassembled with cables in various standard lengths for immediate use
- Customer-specific assemblies and cable lengths can be supplied
- Sealed on the cable side for optimum tightness of seal
- Cable designs for all common networks and fieldbuses
- For high transmission safety: shield connection to the housing with optional EMC nut

## Commercial data

Item number	1416578
Packing unit	1 pc
Minimum order quantity	1 pc
Product key	ABQDGI
Catalog page	Page 240 (PC-2009)
GTIN	4046356479318
Weight per piece (including packing)	179.1 g
Weight per piece (excluding packing)	179.5 g
Customs tariff number	85444290
Country of origin	DE

# VS-M12FSBP-OE-936-2,0 - Device connector, rear mounting



1416578

<https://www.phoenixcontact.com/pc/products/1416578>

## Technical data

### Product properties

Product type	Data cable preassembled
Sensor type	PROFINET
Number of positions	4
No. of cable outlets	1
Coding	D

### Insulation characteristics

Overvoltage category	II
Degree of pollution	3

### Interfaces

Bus system	PROFINET
Signal type/category	PROFINET CAT5 (IEC 11801:2002), 100 Mbps

### Electrical properties

Rated surge voltage	2.5 kV
Contact resistance	$\leq 3 \text{ m}\Omega$
Insulation resistance	$\geq 100 \text{ M}\Omega$
Nominal voltage $U_N$	48 V AC 60 V DC
Nominal current $I_N$	4 A (Plug/socket in accordance with IEC 61076-2-101, cable technical data is to be observed)
Transmission medium	Copper
Transmission characteristics (category)	CAT5 (IEC 11801:2002)

### Mechanical properties

#### Mechanical data

Insertion/withdrawal cycles	$\geq 100$
-----------------------------	------------

### Material specifications

Flammability rating according to UL 94	V0
Seal material	FKM
Contact material	CuZn
Contact surface material	Ni/Au
Contact carrier material	PA 6.6
Material for screw connection	Brass, nickel-plated

### Connector

#### Connection 1

Head design	Flush-type female connector
Head cable outlet	straight

# VS-M12FSBP-OE-936-2,0 - Device connector, rear mounting

1416578

<https://www.phoenixcontact.com/pc/products/1416578>


Head thread type	M12
Head locking type	SPEEDCON
Coding	D

## Connection 2

Head design	free cable end
-------------	----------------

## Cable/line

PROFINET RADOX<sup>®</sup> railway application CAT5 reinforced [936]

Dimensional drawing	
Cable weight	81 g/m
Number of positions	4
Shielded	yes
Cable type	PROFINET RADOX <sup>®</sup> railway application CAT5 reinforced [936]
Conductor structure	1x4xAWG22/7, SF/TQ
Signal speed	66 c
Conductor structure signal line	7x 0.25 mm
AWG signal line	22
Conductor cross section	4x 0.34 mm <sup>2</sup>
Wire diameter incl. insulation	1.95 mm
External cable diameter	7.25 mm ±0.3 mm
Outer sheath, material	PE-X
External sheath, color	black RAL 9005
Conductor material	silver-plated Cu litz wires
Material wire insulation	PE-X
Single wire, color	white-blue, orange-yellow
Thickness, outer sheath	≥ 0.8 mm
Overall twist	Star quad
Optical shield covering	100 %
Max. conductor resistance	≤ 54.4 Ω/km
Coupling resistance	200.00 mΩ/m (f ≤ 30 MHz)
Wave impedance	100 Ω ±5 Ω (f = 100 MHz)
Working capacitance	≤ 65 pF (Line-line) ≤ 100 pF (Line-shield)
Nominal voltage, cable	300 V AC
Test voltage	2000 V AC (50 Hz, 5 minutes)
Minimum bending radius, fixed installation	6 x D

# VS-M12FSBP-OE-936-2,0 - Device connector, rear mounting



1416578

<https://www.phoenixcontact.com/pc/products/1416578>

Minimum bending radius, flexible installation	10 x D
Near end crosstalk attenuation (NEXT)	80 dB (with 1 MHz)
	76 dB (at 4 MHz)
	67 dB (at 10 MHz)
	60 dB (at 31.5 MHz)
	56 dB (at 62.5 MHz)
	53 dB (at 100 MHz)
Return loss (RL)	35 dB (at 4 MHz)
	35 dB (at 10 MHz)
	35 dB (at 31.5 MHz)
	33 dB (at 62.5 MHz)
	33 dB (at 100 MHz)
Remote crosstalk attenuation (FEXT)	80 dB (with 1 MHz)
	70 dB (at 4 MHz)
	65 dB (at 10 MHz)
	58 dB (at 31.5 MHz)
	59 dB (at 62.5 MHz)
	67 dB (at 100 MHz)
Shield attenuation	2 dB (with 1 MHz)
	4 dB (at 4 MHz)
	6.5 dB (at 10 MHz)
	10.5 dB (at 31.5 MHz)
	14 dB (at 62.5 MHz)
	18 dB (at 100 MHz)
	40 dB (30 MHz ≤ f ≤ 100 MHz)
Halogen-free	in accordance with EN 50267-2-1
Flame resistance	EN 60332-1-2
	EN 50266
	EN 60332-3-25
	NF C32-070, 2.1
	NF C32-070, 2.2
	UL 1685, 12 (FT4)
	in accordance with ISO 6722-1 5.22 (UN ECE-R 118.01)
Fume corrosiveness	EN 50267-2-2
Fume toxicity	BS 6853 B.1
	EN 50305, 9.2
Concentration of fumes	BS 6853 D.8.7
	EN 61034-2
	UL 1685, 12 (FT4)
Resistance to oil	according to IRM 902, 72 h at 100 °C
Fire protection in rail vehicles	BS 6853 (Category Ia, Ib, II)
	GM/RT 2130 (Category Ia, Ib, II)
	EN 45545 (Risk level HL1 - HL3)
	DIN 5510 (Fire protection level 1, 2, 3, 4)

# VS-M12FSBP-OE-936-2,0 - Device connector, rear mounting



1416578

<https://www.phoenixcontact.com/pc/products/1416578>

	NF F16-101 (Category A1, A2, B)
	NF F16-101 (Class C/F0)
	NFPA 130
	UNI CEI 11170 (Risk level LR1 - LR4)
Other resistance	Resistance to fuels according to IRM 903, 168 h at 70 °C
Ambient temperature (operation)	-50 °C ... 90 °C (cable, fixed installation)
	-40 °C ... 90 °C (Cable, flexible installation)

## Environmental and real-life conditions

### Ambient conditions

Degree of protection	IP65/IP67
Ambient temperature (operation)	-25 °C ... 85 °C (Plug / socket)
	-40 °C ... 85 °C (without mechanical actuation)

## Standards and regulations

### M12

Standard designation	M12 connector
Standards/specifications	IEC 61076-2-101

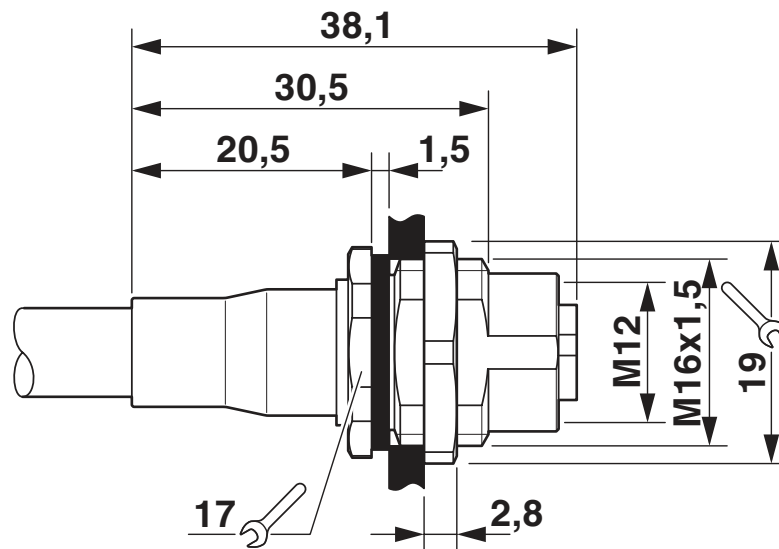
# VS-M12FSBP-OE-936-2,0 - Device connector, rear mounting

1416578

<https://www.phoenixcontact.com/pc/products/1416578>

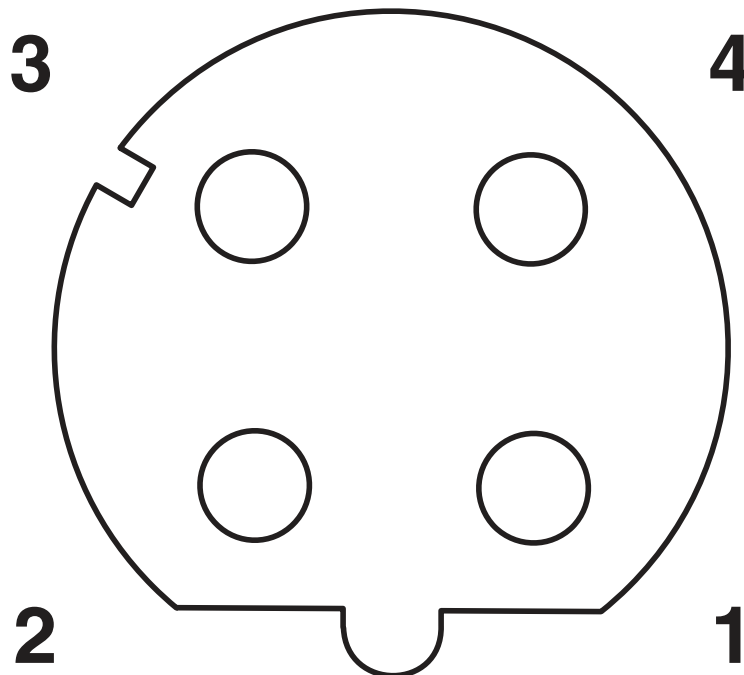
## Drawings

Dimensional drawing



Dimensional drawing

Schematic diagram



# VS-M12FSBP-OE-936-2,0 - Device connector, rear mounting



1416578

<https://www.phoenixcontact.com/pc/products/1416578>

## Approvals

To download certificates, visit the product detail page: <https://www.phoenixcontact.com/pc/products/1416578>



**EAC**

Approval ID: 19060508

# VS-M12FSBP-OE-936-2,0 - Device connector, rear mounting



1416578

<https://www.phoenixcontact.com/pc/products/1416578>

## Classifications

### ECLASS

ECLASS-11.0	27060308
ECLASS-12.0	27060308
ECLASS-13.0	27060308

### ETIM

ETIM 8.0	EC002599
----------	----------

### UNSPSC

UNSPSC 21.0	26121600
-------------	----------



# VS-M12FSBP-OE-936-2,0 - Device connector, rear mounting



1416578

<https://www.phoenixcontact.com/pc/products/1416578>

## Environmental product compliance

REACH SVHC	Lead 7439-92-1
China RoHS	Environmentally Friendly Use Period = 50 years
	For information on hazardous substances, refer to the manufacturer's declaration available under "Downloads"

Phoenix Contact 2023 © - all rights reserved

<https://www.phoenixcontact.com>

PHOENIX CONTACT GmbH & Co. KG

Flachsmarktstraße 8

D-32825 Blomberg

+49 (0) 5235-3 00

[info@phoenixcontact.com](mailto:info@phoenixcontact.com)