

MATERIALS & SPECIFICATIONS

PART NO.	A22044-001	REV	ECO	DATE	APP
		D	105584	06-20-19	TLM

INSULATOR:  
LIQUID CRYSTAL POLYMER (LCP) PER ASTM D5138.

CONTACT:  
BERYLLIUM COPPER PER ASTM B194, C17200. GOLD PLATED PER ASTM B488, (HARD GOLD) TYPE II CODE C CLASS 1.27. (CONTACT MATING AREA ONLY)

TERMINATION:  
SOLDER PLATED PER AMS-P-81728.

LATCH SPRING:  
BERYLLIUM COPPER PER ASTM B194 NICKEL PLATE PER (100 MICROINCHES MINIMUM) SAE-AMS-2404

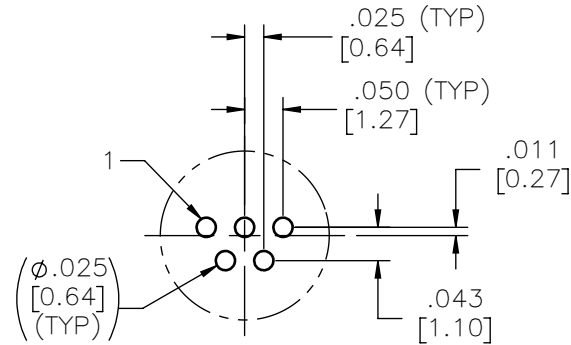
CURRENT CAPACITY:  
3 AMP MAX.

CONTACT RESISTANCE:  
26 MILLIOHMS (65mV) MAX @ 2.5 AMPS.

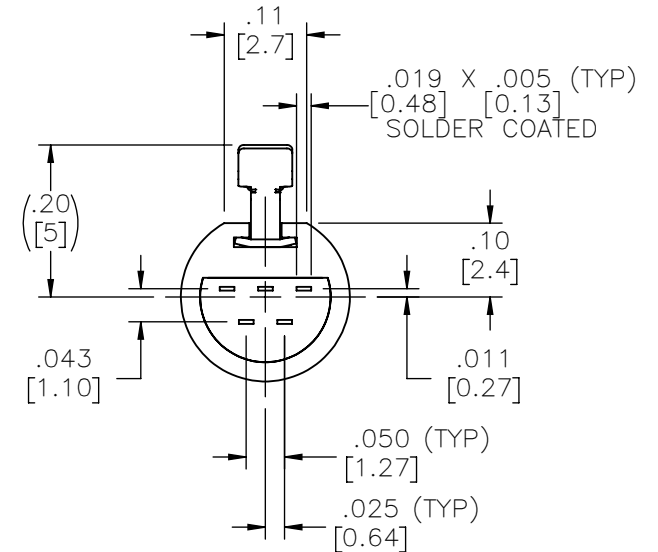
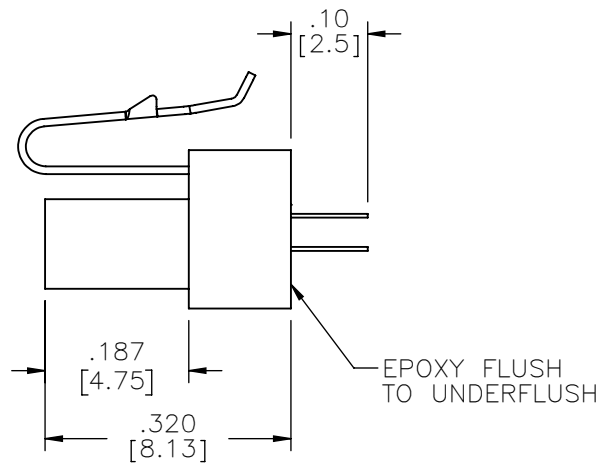
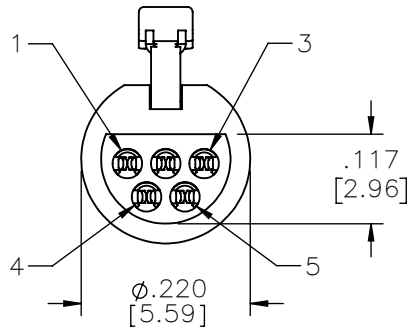
PERFORMANCE:  
PRODUCT FAMILY TESTED TO AND PASSED THE PERFORMANCE SPECIFICATIONS OF TABLE VII OF MIL-DTL-83513.



ACTUAL SIZE



SUGGESTED HOLE PATTERN



NOTE:

DIMENSIONS IN [ ] ARE IN MILLIMETERS UNLESS OTHERWISE NOTED AND ARE FOR REFERENCE ONLY

MCTS SLOW	THIRD ANGLE
	-TOLERANCES-
	UNLESS OTHERWISE NOTED
	DIMENSIONS IN INCHES
2	PL DEC ± .01
3	PL DEC ± .005
4	PL DEC ± .0005
ANGLES ± 1°	

THIS DRAWING CONTAINS CONFIDENTIAL AND PROPRIETARY INFORMATION WHICH IS THE PROPERTY OF OMNETICS CONNECTOR CORP. THIS DOCUMENT MAY NOT, IN WHOLE OR IN PART, BE DUPLICATED, OR DISCLOSED FOR ANY PURPOSE, WITHOUT WRITTEN PERMISSION FROM OMNETICS CONNECTOR CORP.	
DFTM. TLM	DATE 05-09-08
CHK'D.	DATE
APP'D.	DATE
TITLE: (5) PIN MALE MICRO CIRCULAR CONNECTOR W/ LATCH	

**OMNETICS**  
CONNECTOR CORPORATION  
7260 COMMERCE CIRCLE EAST  
MINNEAPOLIS, MN 55432  
WWW.OMNETICS.COM

CAGE CODE 61873	
DWG NO. A22044-001	
SHEET 1 OF 1	REV D
SCALE: 4:1	

REF: OMNETICS