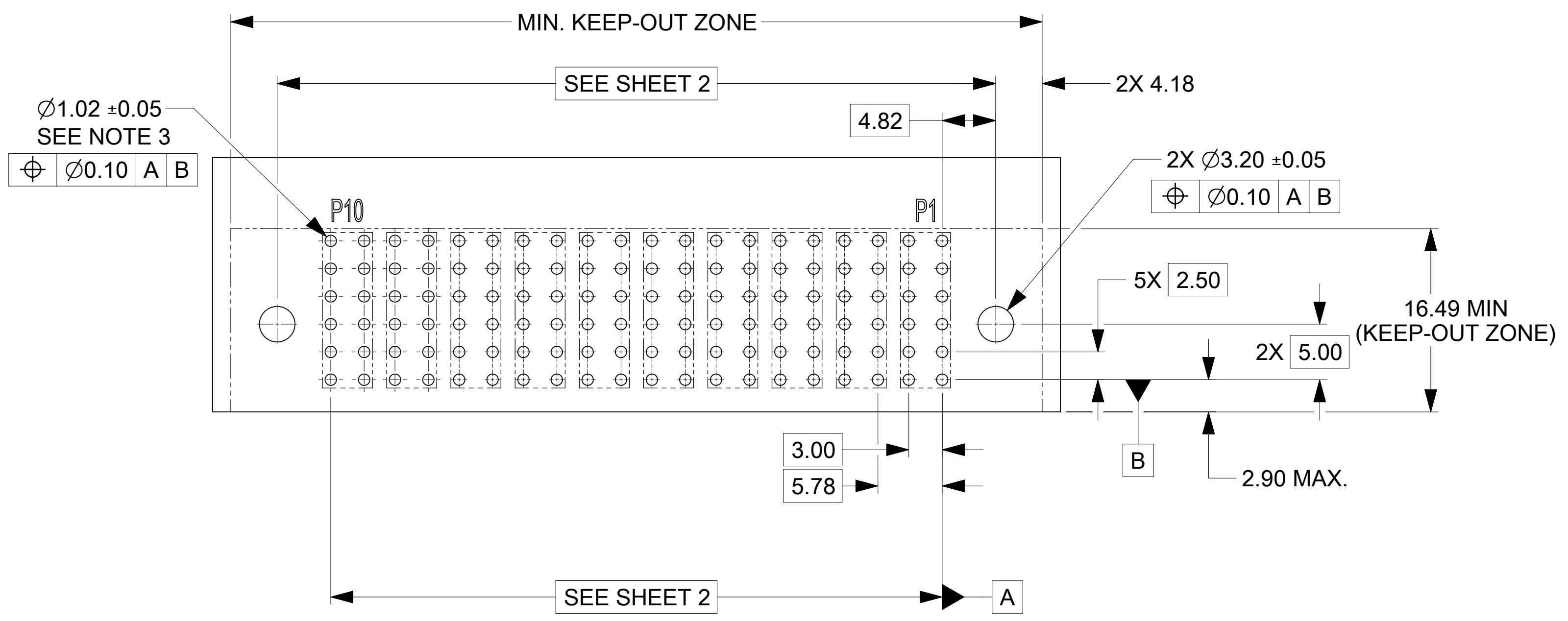


**PLUG MATED TO R/A RECEPTACLE  
MATED PROFILE**

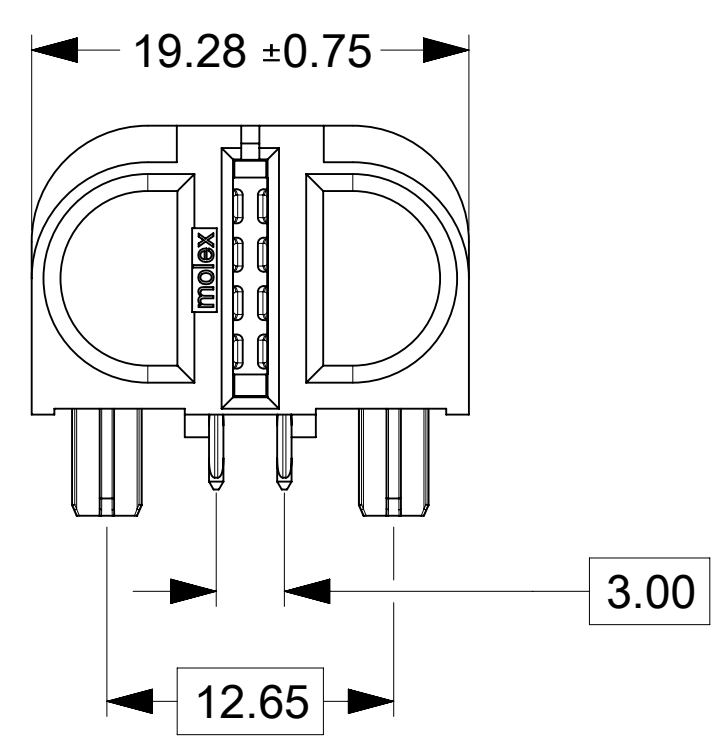


**RECOMMENDED PCB LAYOUT AND KEEP-OUT ZONE**

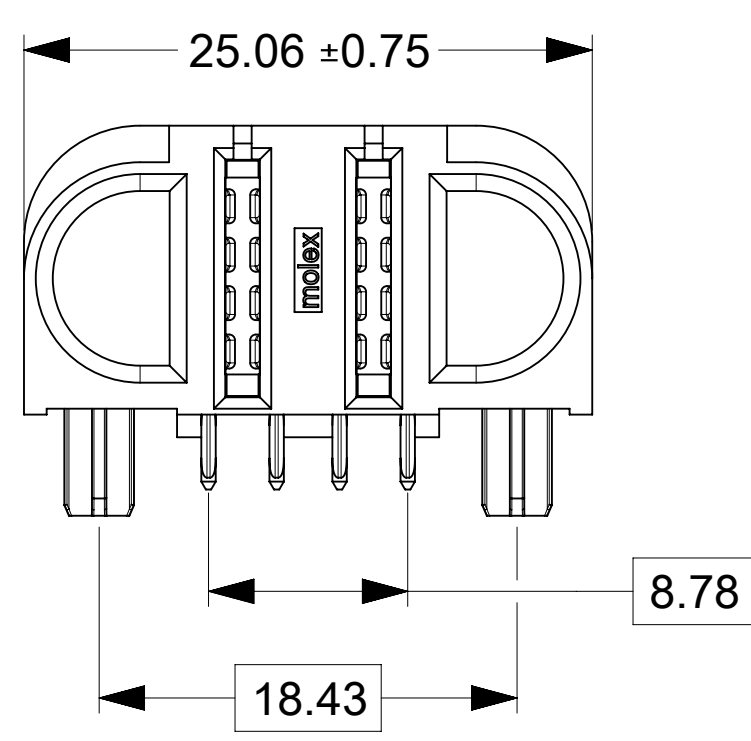
- NOTES:**
- MATERIAL:**
    - HOUSINGS: LCP UL94, V-0, COLOR : BLACK
    - TERMINALS: HIGH CONDUCTIVITY COPPER ALLOY
    - PLATING: 1.27 μm (50 μin) NICKEL OVERALL WITH 2.54 μm (100 μin) SELECTIVE TIN ON TAILS AND 0.762 μm (30 μin) SELECTIVE GOLD ON CONTACT AREA
  - PACKAGING:** ASSEMBLIES TO BE TRAY PACKED PER PACKAGING SPEC: 2141150010-PK.
  - PLATED THRU HOLE SIZE,** REFER TO PRODUCT SPEC. FOR DETAILS.
  - PRODUCT SPEC:** 2141130000-PS.
  - PRODUCT TO MEET RoHS REQUIREMENTS.**
  - VERTICAL ASSEMBLY MATES TO MOLEX PLUG 219562XXXX-SD, SEE DRAWING FOR DETAILS.**
  - TAIL DESIGN: COMPLIANT PIN.**
  - POWER TERMINALS ARE LUBRICATED.**
  - APPLICATION SPECIFICATION: 2141130000-AS (FOR COMPLIANT TAILS ONLY).**

THIS DRAWING CONTAINS INFORMATION THAT IS PROPRIETARY TO MOLEX ELECTRONIC TECHNOLOGIES, LLC AND SHOULD NOT BE USED WITHOUT WRITTEN PERMISSION									
DIMENSION UNITS	SCALE	CURRENT REV DESC:							
mm	3:1	<p style="text-align: center;"><b>molex</b></p> <p style="text-align: center;">GUARDIAN HD REC POWER ONLY PF</p> <p style="text-align: center;">PRODUCT CUSTOMER DRAWING</p>							
GENERAL TOLERANCES (UNLESS SPECIFIED)									
ANGULAR TOL	± °								
4 PLACES	±								
3 PLACES	±								
2 PLACES	± 0.25	EC NO: 745288	2023/03/24		2023/04/10		2023/04/10		
1 PLACE	± 0.3	DRWN: LZABJANOVSKI	2022/03/31		2022/08/04		2022/08/04		
0 PLACES	±	CHK'D: JAYK1	2023/04/10		2023/04/10		2023/04/10		
DRAFT WHERE APPLICABLE MUST REMAIN WITHIN DIMENSIONS		THIRD ANGLE PROJECTION	DRAWING	SERIES	MATERIAL NUMBER	CUSTOMER	SHEET NUMBER		
			D-SIZE	219564	SEE CHART		1 OF 2		

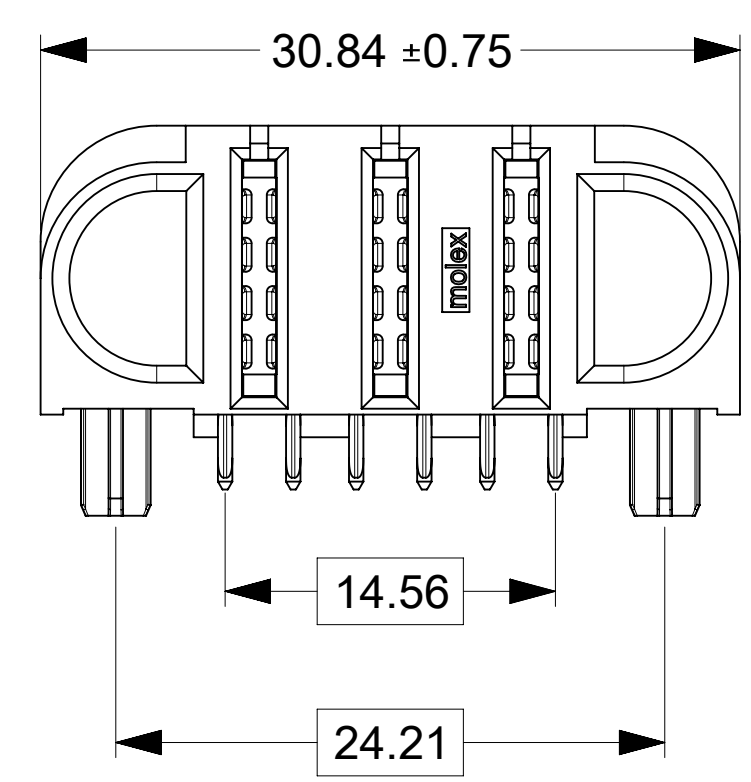
PART NUMBER	CONFIGURATION	QUANTITY PER CARTON (DU)
219564-0001	G+1P+G	195



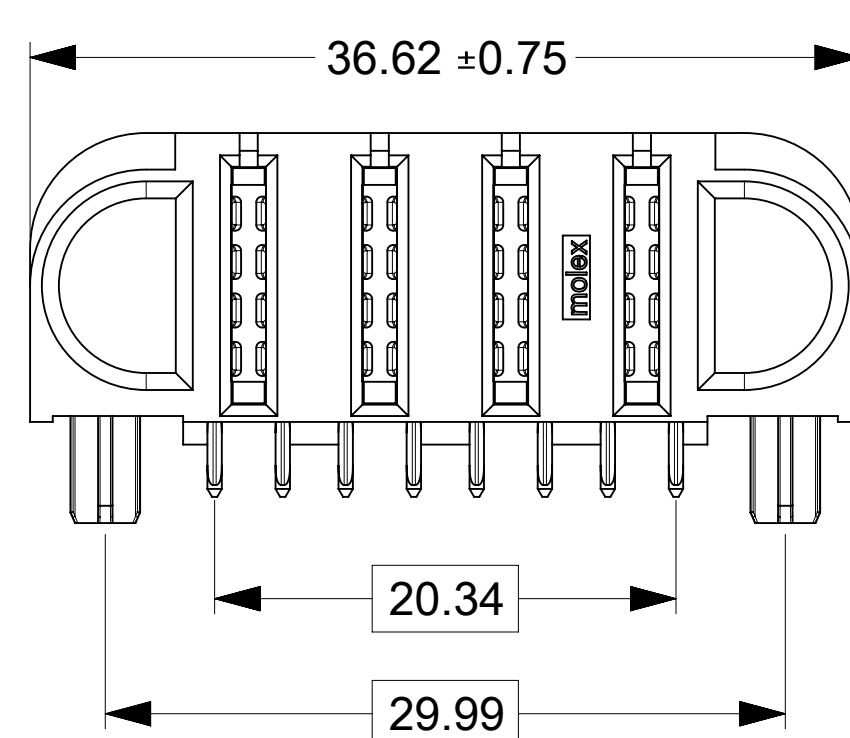
PART NUMBER	CONFIGURATION	QUANTITY PER CARTON (DU)
219564-0002	G+2P+G	150



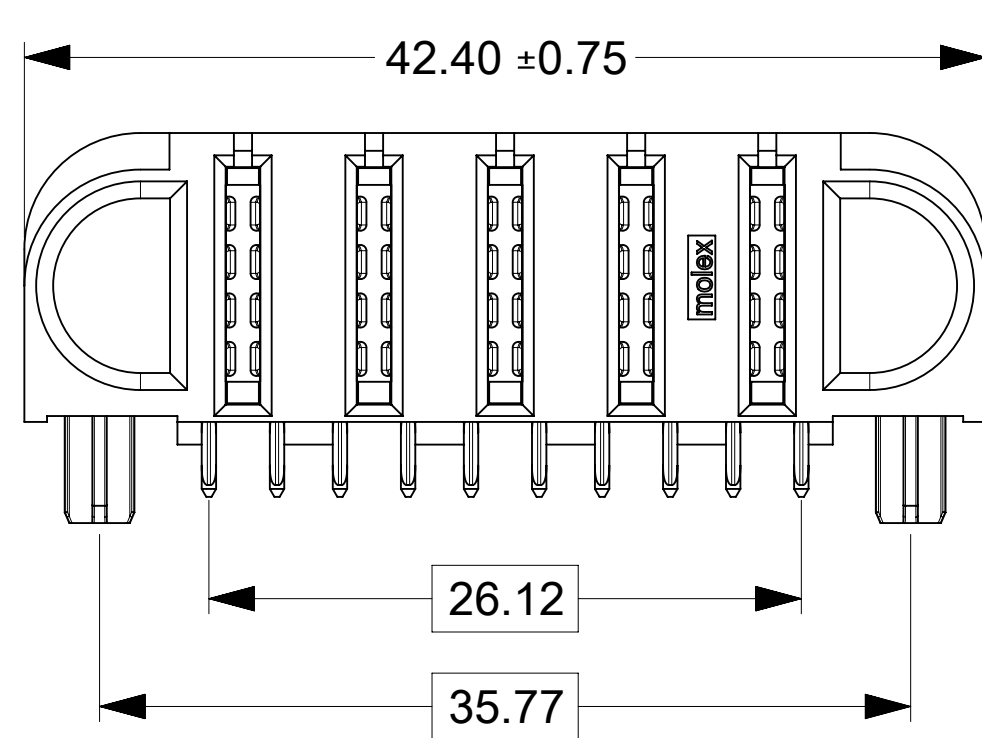
PART NUMBER	CONFIGURATION	QUANTITY PER CARTON (DU)
219564-0003	G+3P+G	120



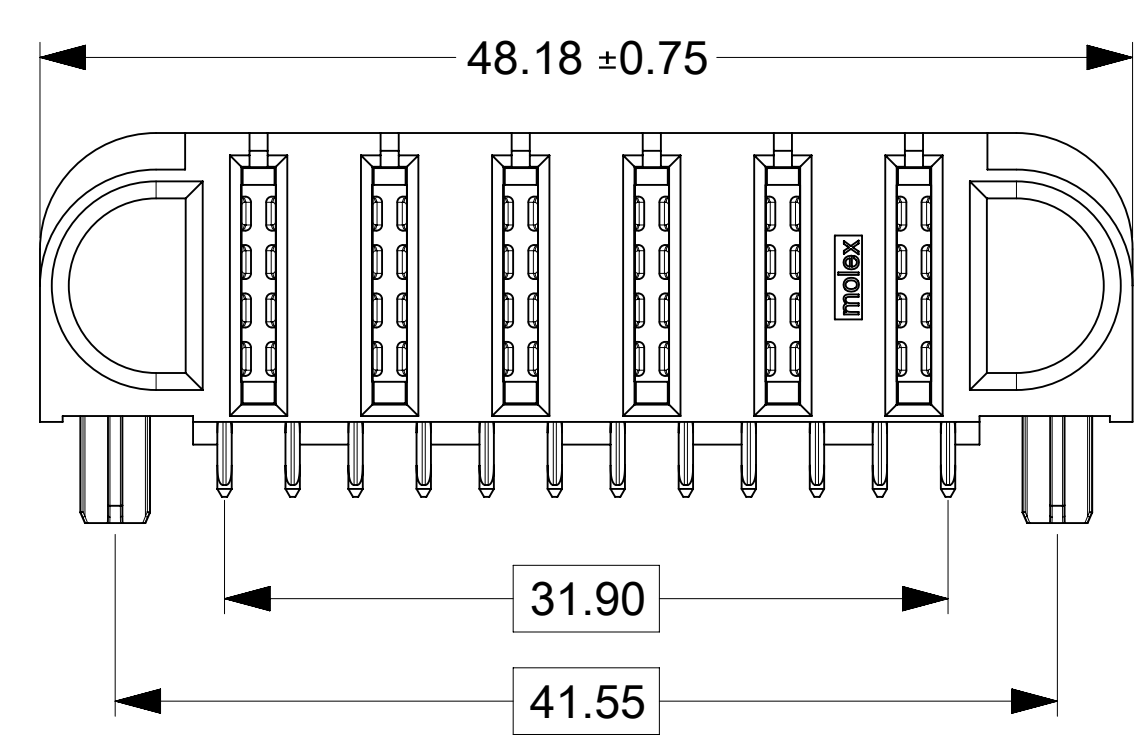
PART NUMBER	CONFIGURATION	QUANTITY PER CARTON (DU)
219564-0004	G+4P+G	105



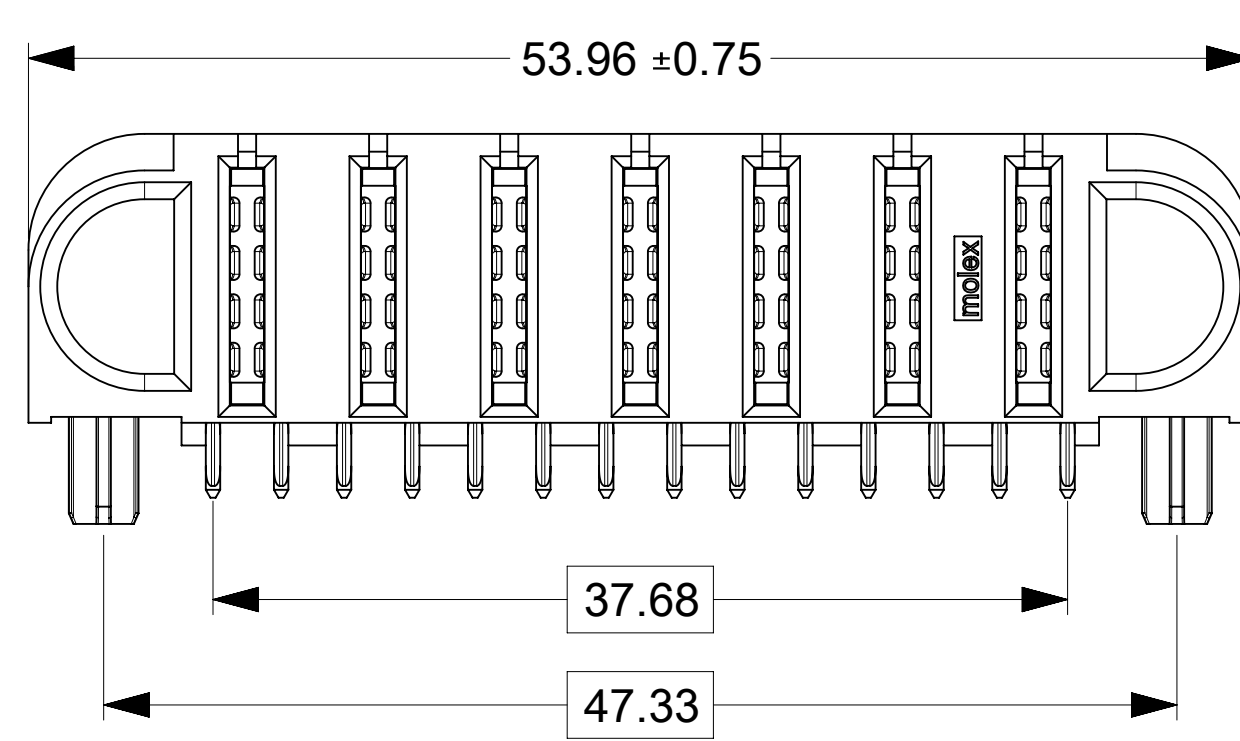
PART NUMBER	CONFIGURATION	QUANTITY PER CARTON (DU)
219564-0005	G+5P+G	90



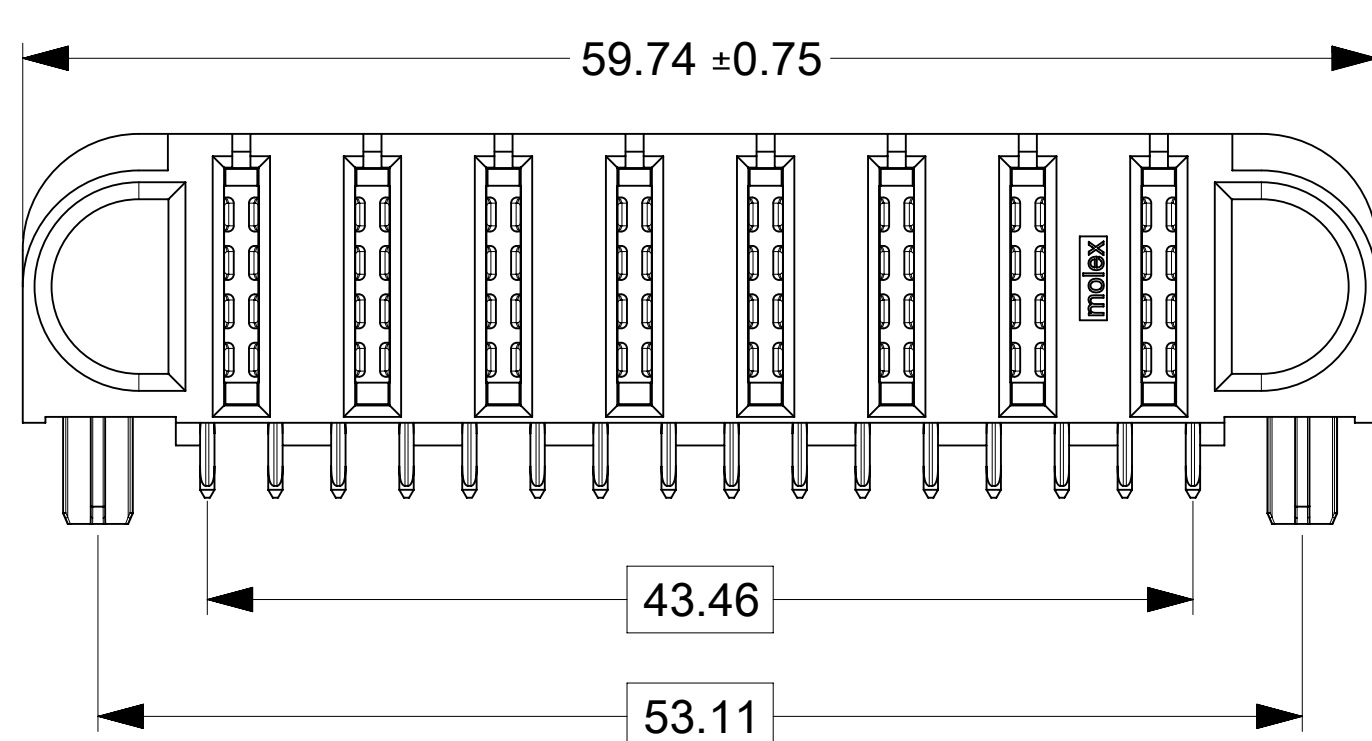
PART NUMBER	CONFIGURATION	QUANTITY PER CARTON (DU)
219564-0006	G+6P+G	75



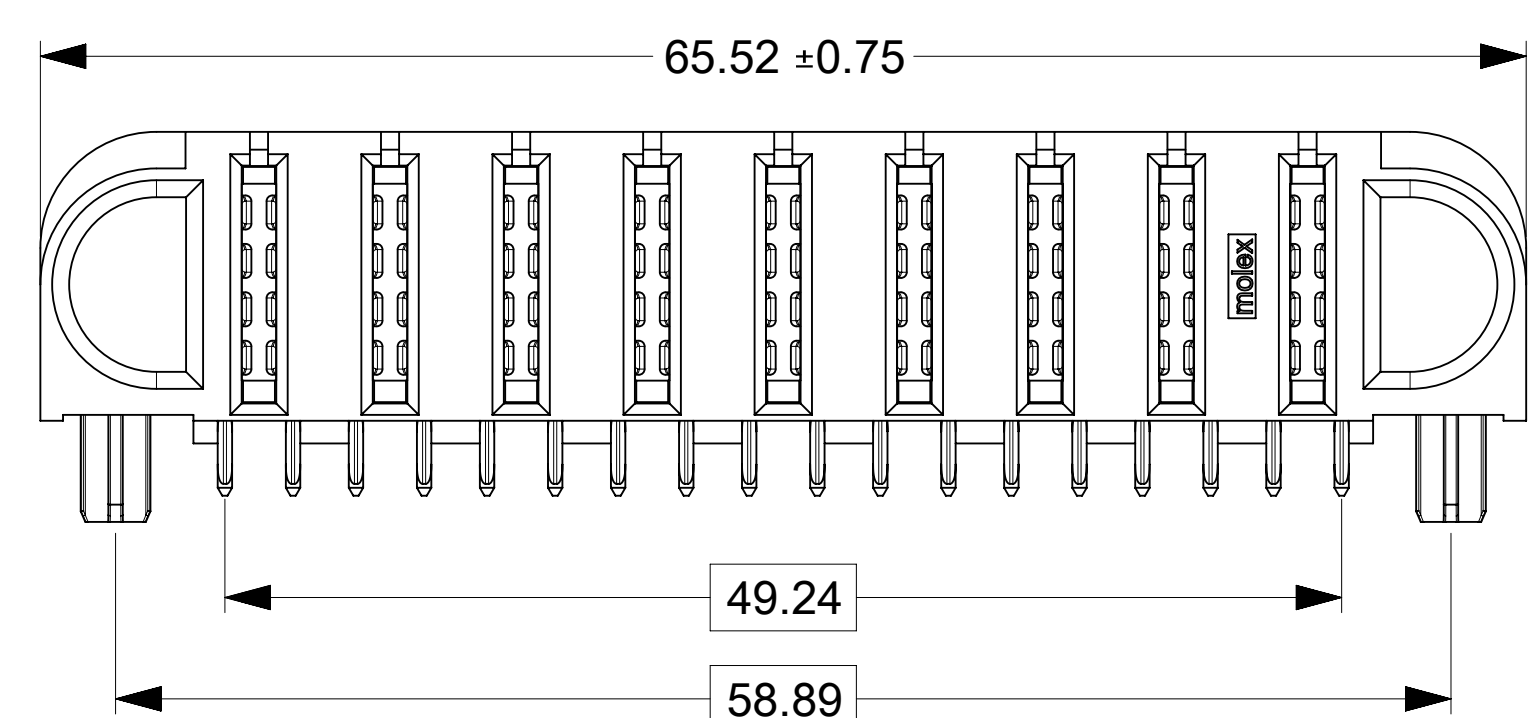
PART NUMBER	CONFIGURATION	QUANTITY PER CARTON (DU)
219564-0007	G+7P+G	60



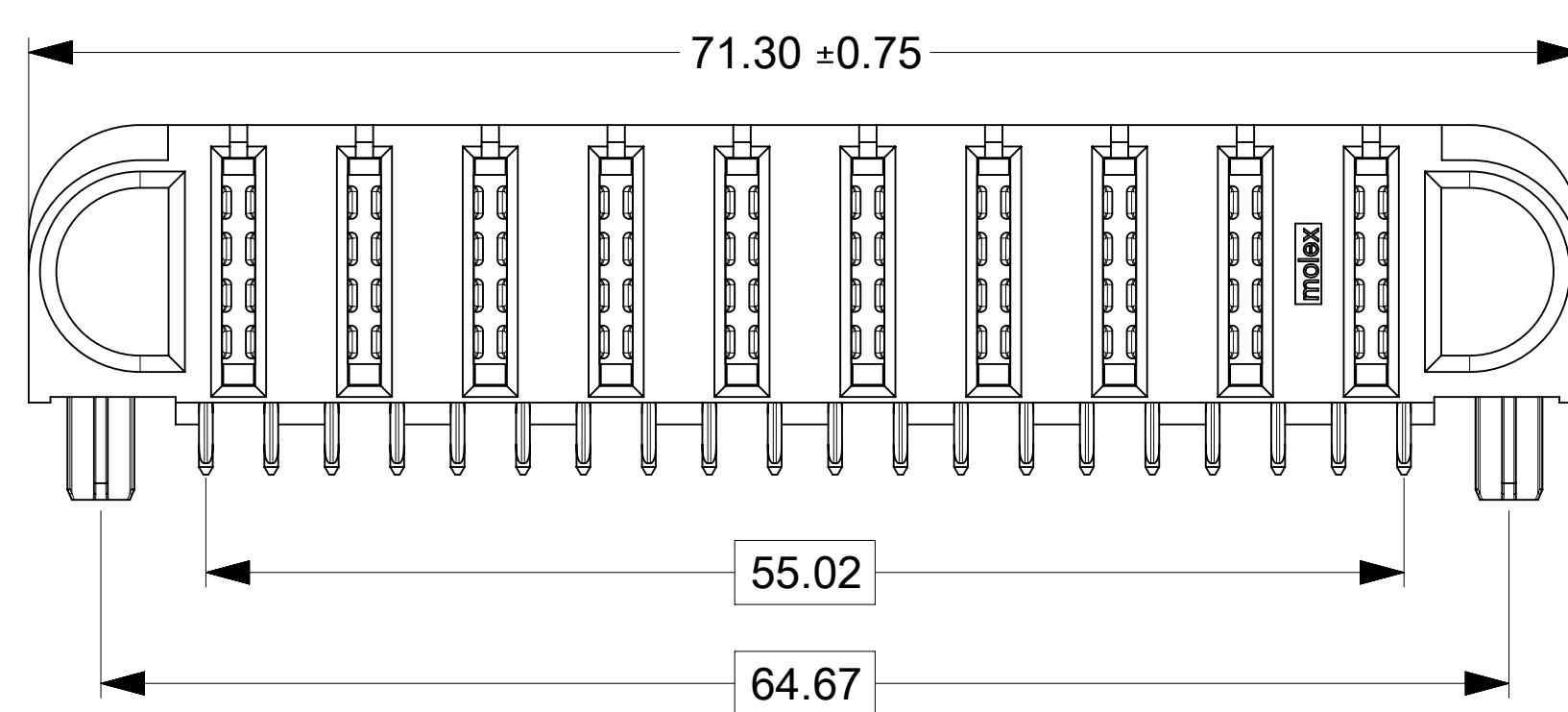
PART NUMBER	CONFIGURATION	QUANTITY PER CARTON (DU)
219564-0008	G+8P+G	60



PART NUMBER	CONFIGURATION	QUANTITY PER CARTON (DU)
219564-0009	G+9P+G	45



PART NUMBER	CONFIGURATION	QUANTITY PER CARTON (DU)
219564-0010	G+10P+G	45



THIS DRAWING CONTAINS INFORMATION THAT IS PROPRIETARY TO MOLEX ELECTRONIC TECHNOLOGIES, LLC AND SHOULD NOT BE USED WITHOUT WRITTEN PERMISSION

DIMENSION UNITS	SCALE	CURRENT REV DESC:
mm	3:1	
GENERAL TOLERANCES (UNLESS SPECIFIED)		
ANGULAR TOL	±	°
4 PLACES	±	
3 PLACES	±	
2 PLACES	±	0.25
1 PLACE	±	0.3
0 PLACES	±	
DRAFT WHERE APPLICABLE	THIRD ANGLE PROJECTION	DRAWING
MUST REMAIN WITHIN DIMENSIONS		D-SIZE
		SERIES
		219564
		MATERIAL NUMBER
		SEE CHART
		CUSTOMER
		SHEET NUMBER
		2 OF 2

EC NO: 745288  
 DRWN: LZABJANOVSKI 2023/03/24  
 CHK'D: JAYK1 2023/04/10  
 APPR: JAYK1 2023/04/10  
 INITIAL REVISION:  
 DRWN: LZABJANOVSKI 2022/03/31  
 APPR: BPISZCZOR 2022/08/04

**molex**  
 GUARDIAN HD REC POWER ONLY PF  
 PRODUCT CUSTOMER DRAWING

DOCUMENT NUMBER	DOC TYPE	DOC PART	REVISION
2195649000-SD	PSD	000	A3

DOCUMENT STATUS	P1	RELEASE DATE	2023/04/11	17:06:07
-----------------	----	--------------	------------	----------