



# VND5E160MJ-E

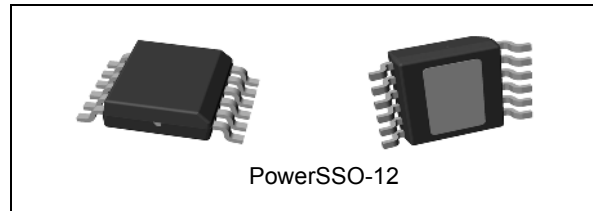
## Double-channel high-side driver with analog current sense for automotive applications

### Features

Max transient supply voltage	$V_{CC}$	41 V
Operating voltage range	$V_{CC}$	4.5 V to 28 V
Max on-state resistance (per ch.)	$R_{ON}$	160 m $\Omega$
Current limitation (typ.)	$I_{LIMH}$	10 A
Off-state supply current	$I_S$	2 $\mu$ A <sup>(1)</sup>

1. Typical value with all loads connected.

- General
  - Inrush current active management by power limitation
  - Very low standby current
  - 3 V CMOS compatible inputs
  - Optimized electromagnetic emissions
  - Very low electromagnetic susceptibility
  - In compliance with the 2002/95/EC european directive
  - Very low current sense leakage
- Diagnostic functions
  - Proportional load current sense
  - High-precision current sense for wide currents range
  - Current sense disable
  - Overload and short to ground (power limitation) indication
  - Thermal shutdown indication
- Protections
  - Undervoltage shutdown
  - Overvoltage clamp
  - Load current limitation
  - Self limiting of fast thermal transients
  - Protection against loss of ground and loss of  $V_{CC}$
  - Overtemperature shutdown with auto restart (thermal shutdown)
  - Reverse battery protected (see [Figure 29](#))



PowerSSO-12

- Electrostatic discharge protection

### Application

- All types of resistive, inductive and capacitive loads
- Suitable as LED driver

### Description

The VND5E160MJ-E is a double-channel high-side driver manufactured in the ST proprietary VIPower™ M0-5 technology and housed in the tiny PowerSSO-12 package. The VND5E160MJ-E is designed to drive 12 V automotive grounded loads delivering protection, diagnostics and easy 3 V and 5 V CMOS compatible interface with any microcontroller.

The device integrates advanced protective functions such as load current limitation, inrush and overload active management by power limitation, overtemperature shut-off with auto-restart and overvoltage active clamp. A dedicated analog current sense pin is associated with every output channel in order to provide enhanced diagnostic functions including fast detection of overload and short-circuit to ground through power limitation indication and overtemperature indication.

The current sensing and diagnostic feedback of the whole device can be disabled by pulling the CS\_DIS pin high to allow sharing of the external sense resistor with other similar devices.

# Contents

<b>1</b>	<b>Block diagram and pin description</b>	<b>5</b>
<b>2</b>	<b>Electrical specifications</b>	<b>7</b>
2.1	Absolute maximum ratings	7
2.2	Thermal data	8
2.3	Electrical characteristics	9
2.4	Waveforms	17
2.5	Electrical characteristics curves	19
<b>3</b>	<b>Application information</b>	<b>22</b>
3.1	GND protection network against reverse battery	22
3.1.1	Solution 1: resistor in the ground line (RGND only)	22
3.1.2	Solution 2: diode (DGND) in the ground line	23
3.2	Load dump protection	23
3.3	MCU I/Os protection	23
3.4	Current sense and diagnostic	24
3.5	Maximum demagnetization energy (VCC = 13.5 V)	25
<b>4</b>	<b>Package and PC board thermal data</b>	<b>26</b>
4.1	PowerSSO-12 thermal data	26
<b>5</b>	<b>Package and packing information</b>	<b>29</b>
5.1	ECOPACK®	29
5.2	Package mechanical data	29
5.3	Packing information	31
<b>6</b>	<b>Order codes</b>	<b>32</b>
<b>7</b>	<b>Revision history</b>	<b>33</b>

## List of tables

Table 1.	Pin function . . . . .	5
Table 2.	Suggested connections for unused and not connected pins . . . . .	6
Table 3.	Absolute maximum ratings . . . . .	7
Table 4.	Thermal data . . . . .	8
Table 5.	Power section . . . . .	9
Table 6.	Switching ( $V_{CC} = 13\text{ V}$ , $T_j = 25\text{ }^\circ\text{C}$ ) . . . . .	9
Table 7.	Logic inputs . . . . .	10
Table 8.	Protections and diagnostics . . . . .	10
Table 9.	Current sense ( $8\text{ V} < V_{CC} < 18\text{ V}$ ) . . . . .	11
Table 10.	Truth table . . . . .	15
Table 11.	Electrical transient requirements (part 1) . . . . .	16
Table 12.	Electrical transient requirements (part 2) . . . . .	16
Table 13.	Electrical transient requirements (part 3) . . . . .	16
Table 14.	Thermal parameters . . . . .	28
Table 15.	PowerSSO-12 mechanical data . . . . .	30
Table 16.	Device summary . . . . .	32
Table 17.	Document revision history . . . . .	33

## List of figures

Figure 1.	Block diagram	5
Figure 2.	Configuration diagram (top view)	6
Figure 3.	Current and voltage conventions <sup>(1)</sup>	7
Figure 4.	Current sense delay characteristics	12
Figure 5.	Switching characteristics	13
Figure 6.	Delay response time between rising edge of output current and rising edge of current sense (CS enabled)	13
Figure 7.	Output voltage drop limitation	14
Figure 8.	I <sub>out</sub> / I <sub>sense</sub> vs I <sub>out</sub>	14
Figure 9.	Maximum current sense ratio drift vs load current <sup>(1)</sup>	15
Figure 10.	Normal operation	17
Figure 11.	Overload or short to GND	17
Figure 12.	Intermittent overload	18
Figure 13.	T <sub>J</sub> evolution in overload or short to GND	18
Figure 14.	OFF-state output current	19
Figure 15.	High-level input current	19
Figure 16.	Input clamp voltage	19
Figure 17.	Low-level input voltage	19
Figure 18.	High-level input voltage	19
Figure 19.	Hysteresis input voltage	19
Figure 20.	ON-state resistance vs T <sub>case</sub>	20
Figure 21.	ON-state resistance vs V <sub>CC</sub>	20
Figure 22.	Undervoltage shutdown	20
Figure 23.	Turn-on voltage slope	20
Figure 24.	I <sub>LIMH</sub> vs T <sub>case</sub>	20
Figure 25.	Turn-off voltage slope	20
Figure 26.	High-level CS_DIS voltage	21
Figure 27.	CS_DIS clamp voltage	21
Figure 28.	Low-level CS_DIS voltage	21
Figure 29.	Application schematic <sup>(1)</sup>	22
Figure 30.	Current sense and diagnostic	24
Figure 31.	Maximum turn-off current versus inductance (for each channel) <sup>(1)</sup>	25
Figure 32.	PowerSSO-12 PC board <sup>(1)</sup>	26
Figure 33.	R <sub>thj-amb</sub> vs PCB copper area in open box free air condition (one channel on)	26
Figure 34.	PowerSSO-12 thermal impedance junction ambient single pulse (one channel on)	27
Figure 35.	Thermal fitting model of a double-channel HSD in PowerSSO-12 <sup>(1)</sup>	27
Figure 36.	PowerSSO-12 package dimensions	29
Figure 37.	PowerSSO-12 tube shipment (no suffix)	31
Figure 38.	PowerSSO-12 tape and reel shipment (suffix "TR")	31

# 1 Block diagram and pin description

Figure 1. Block diagram

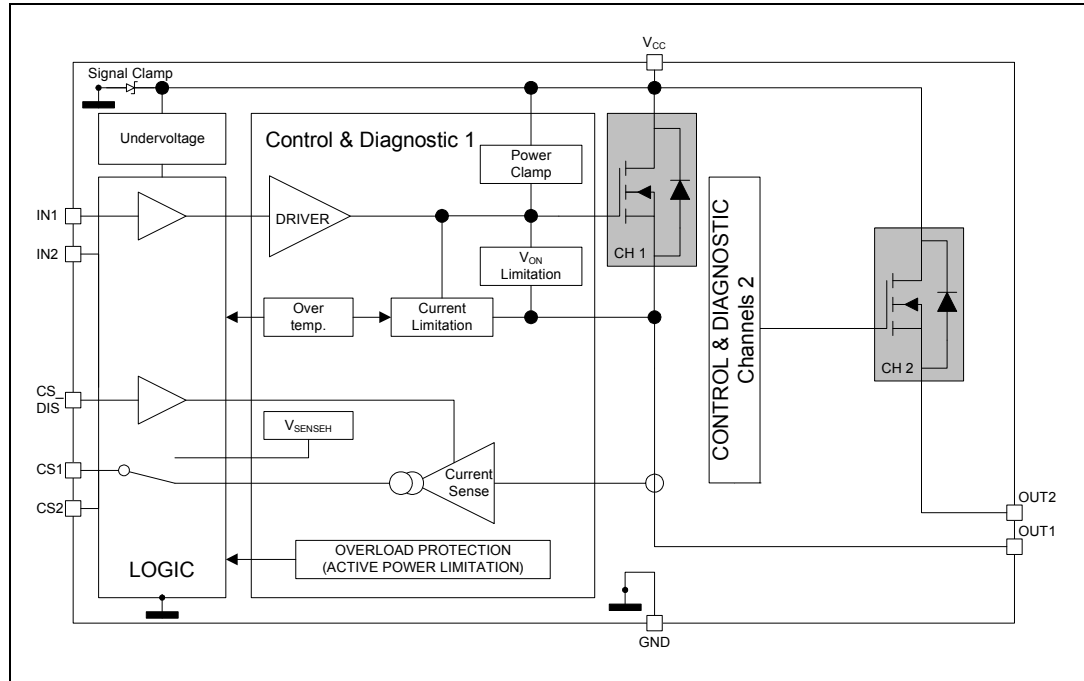


Table 1. Pin function

Name	Function
V <sub>CC</sub>	Battery connection.
OUT <sub>n</sub>	Power output.
GND	Ground connection. Must be reverse battery protected by an external diode/resistor network.
IN <sub>n</sub>	Voltage controlled input pin with hysteresis, CMOS compatible. Controls output switch state.
CS <sub>n</sub>	Analog current sense pin, delivers a current proportional to the load current.
CS_DIS	Active high CMOS compatible pin, to disable the current sense pin.

Figure 2. Configuration diagram (top view)

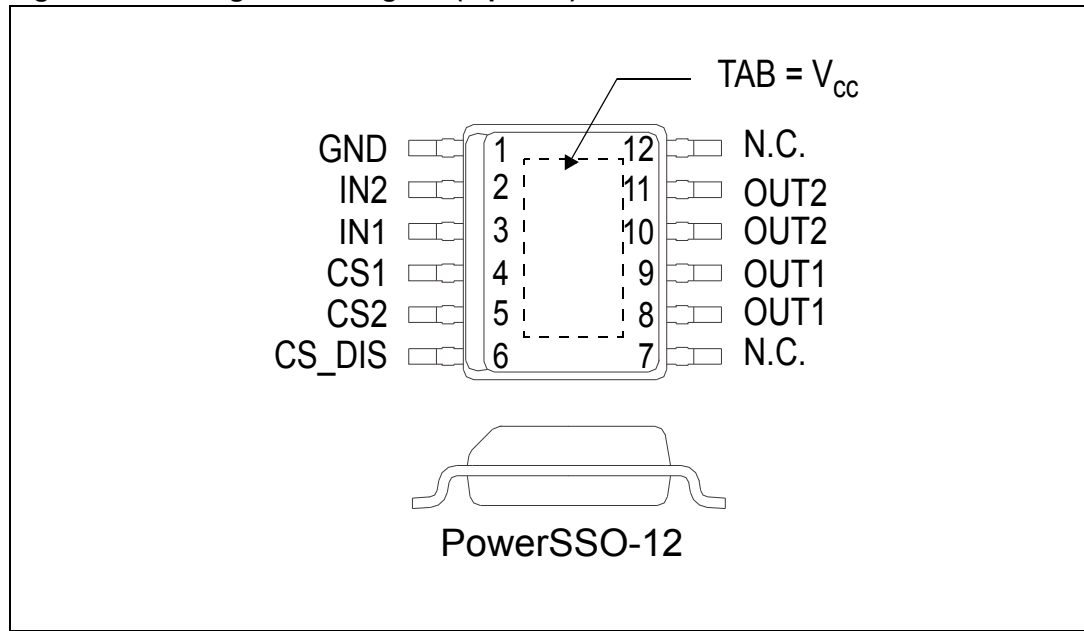
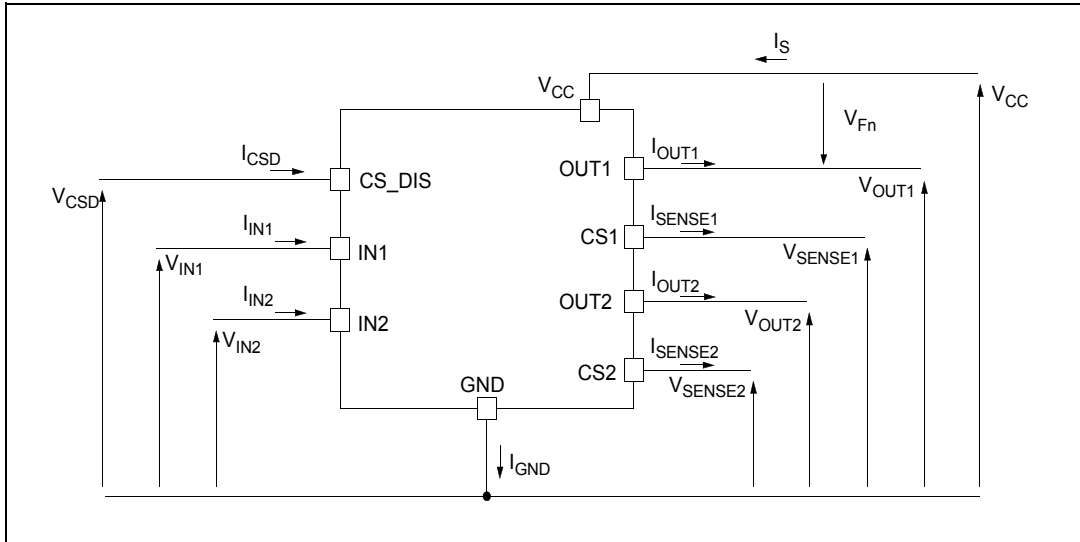


Table 2. Suggested connections for unused and not connected pins

Connection / pin	Current sense	N.C.	Output	Input	CS_DIS
Floating	Not allowed	X	X	X	X
To ground	Through 1 kΩ resistor	X	Not allowed	Through 10 kΩ resistor	Through 10 kΩ resistor

## 2 Electrical specifications

Figure 3. Current and voltage conventions<sup>(1)</sup>



1.  $V_{Fn} = V_{OUTn} - V_{CC}$  during reverse battery condition.

### 2.1 Absolute maximum ratings

Stressing the device above the rating listed in the “absolute maximum ratings” table may cause permanent damage to the device. These are stress ratings only and operation of the device at these or any other conditions above those indicated in the operating sections of this specification is not implied. Exposure to the conditions in table below for extended periods may affect device reliability. Refer also to the STMicroelectronics SURE program and other relevant quality document.

Table 3. Absolute maximum ratings

Symbol	Parameter	Value	Unit
$V_{CC}$	DC supply voltage	41	V
$-V_{CC}$	Reverse DC supply voltage	0.3	V
$-I_{GND}$	DC reverse ground pin current	200	mA
$I_{OUT}$	DC output current	Internally limited	A
$-I_{OUT}$	Reverse DC output current	6	A
$I_{IN}$	DC input current	-1 to 10	mA
$I_{CSD}$	DC current sense disable input current	-1 to 10	mA
$-I_{CSENSE}$	DC reverse CS pin current	200	mA
$V_{CSENSE}$	Current sense maximum voltage	$V_{CC}-41$ $+V_{CC}$	V V

**Table 3. Absolute maximum ratings (continued)**

Symbol	Parameter	Value	Unit
$E_{MAX}$	Maximum switching energy (single pulse) ( $L = 12 \text{ mH}$ , $R_L = 0 \text{ } \Omega$ , $V_{bat} = 13.5 \text{ V}$ , $T_{jstart} = 150 \text{ } ^\circ\text{C}$ , $I_{OUT} = I_{limL}(Typ.)$ )	34	mJ
$V_{ESD}$	Electrostatic discharge (human body model: $R = 1.5 \text{ K}\Omega$ , $C = 100 \text{ pF}$ )		
	- IN	4000	V
	- CS	2000	V
	- CS_DIS	4000	V
	- OUT	5000	V
	- $V_{CC}$	5000	V
$V_{ESD}$	Charge device model (CDM-AEC-Q100-011)	750	V
$T_j$	Junction operating temperature	-40 to 150	$^\circ\text{C}$
$T_{stg}$	Storage temperature	-55 to 150	$^\circ\text{C}$

## 2.2 Thermal data

**Table 4. Thermal data**

Symbol	Parameter	Max. value	Unit
$R_{thj-case}$	Thermal resistance junction-case (with one channel on)	8	$^\circ\text{C/W}$
$R_{thj-amb}$	Thermal resistance junction-ambient	See <a href="#">Figure 33</a>	$^\circ\text{C/W}$



## 2.3 Electrical characteristics

Values specified in this section are for  $8\text{ V} < V_{CC} < 28\text{ V}$ ,  $-40\text{ °C} < T_j < 150\text{ °C}$ , unless otherwise stated.

**Table 5. Power section**

Symbol	Parameter	Test conditions	Min.	Typ.	Max.	Unit
$V_{CC}$	Operating supply voltage		4.5	13	28	V
$V_{USD}$	Undervoltage shutdown			3.5	4.5	V
$V_{USDhyst}$	Undervoltage shutdown hysteresis			0.5		V
$R_{ON}$	ON-state resistance <sup>(1)</sup>	$I_{OUT} = 1\text{ A}$ , $T_j = 25\text{ °C}$			160	m $\Omega$
		$I_{OUT} = 1\text{ A}$ , $T_j = 150\text{ °C}$			320	
		$I_{OUT} = 1\text{ A}$ , $V_{CC} = 5\text{ V}$ , $T_j = 25\text{ °C}$			210	
$V_{clamp}$	Clamp voltage	$I_S = 20\text{ mA}$	41	46	52	V
$I_S$	Supply current	OFF-state: $V_{CC} = 13\text{ V}$ , $T_j = 25\text{ °C}$ , $V_{IN} = V_{OUT} = V_{SENSE} = V_{CSD} = 0\text{ V}$		2 <sup>(2)</sup>	5 <sup>(2)</sup>	$\mu\text{A}$
		ON-state: $V_{CC} = 13\text{ V}$ , $V_{IN} = 5\text{ V}$ , $I_{OUT} = 0\text{ A}$		3	6	mA
$I_{L(off1)}$	OFF-state output current <sup>(1)</sup>	$V_{IN} = V_{OUT} = 0\text{ V}$ , $V_{CC} = 13\text{ V}$ , $T_j = 25\text{ °C}$	0	0.01	3	$\mu\text{A}$
		$V_{IN} = V_{OUT} = 0\text{ V}$ , $V_{CC} = 13\text{ V}$ , $T_j = 125\text{ °C}$	0		5	
$V_F$	Output - $V_{CC}$ diode voltage <sup>(1)</sup>	$-I_{OUT} = 0.6\text{ A}$ , $T_j = 150\text{ °C}$			0.7	V

1. For each channel.

2. PowerMOS leakage included.

**Table 6. Switching ( $V_{CC} = 13\text{ V}$ ,  $T_j = 25\text{ °C}$ )**

Symbol	Parameter	Test conditions	Min.	Typ.	Max.	Unit
$t_{d(on)}$	Turn-on delay time	$R_L = 13\ \Omega$ (see <a href="#">Figure 5.</a> )		10		$\mu\text{s}$
$t_{d(off)}$	Turn-off delay time	$R_L = 13\ \Omega$ (see <a href="#">Figure 5.</a> )		15		$\mu\text{s}$
$(dV_{OUT}/dt)_{on}$	Turn-on voltage slope	$R_L = 13\ \Omega$		See <a href="#">Figure 23.</a>		V/ $\mu\text{s}$
$(dV_{OUT}/dt)_{off}$	Turn-off voltage slope	$R_L = 13\ \Omega$		See <a href="#">Figure 25.</a>		V/ $\mu\text{s}$
$W_{ON}$	Switching energy losses during $t_{won}$	$R_L = 13\ \Omega$ (see <a href="#">Figure 5.</a> )		0.03		mJ
$W_{OFF}$	Switching energy losses during $t_{woff}$	$R_L = 13\ \Omega$ (see <a href="#">Figure 5.</a> )		0.02		mJ

Table 7. Logic inputs

Symbol	Parameter	Test conditions	Min.	Typ.	Max.	Unit
$V_{IL}$	Low-level input voltage				0.9	V
$I_{IL}$	Low-level input current	$V_{IN} = 0.9\text{ V}$	1			$\mu\text{A}$
$V_{IH}$	High-level input voltage		2.1			V
$I_{IH}$	High-level input current	$V_{IN} = 2.1\text{ V}$			10	$\mu\text{A}$
$V_{I(hyst)}$	Input voltage hysteresis		0.25			V
$V_{ICL}$	Input voltage clamp	$I_{IN} = 1\text{ mA}$	5.5		7	V
		$I_{IN} = -1\text{ mA}$		-0.7		
$V_{CSDL}$	Low-level CS_DIS voltage				0.9	V
$I_{CSDL}$	Low-level CS_DIS current	$V_{CSD} = 0.9\text{ V}$	1			$\mu\text{A}$
$V_{CSDH}$	High-level CS_DIS voltage		2.1			V
$I_{CSDH}$	High-level CS_DIS current	$V_{CSD} = 2.1\text{ V}$			10	$\mu\text{A}$
$V_{CSD(hyst)}$	hysteresis CS_DIS voltage		0.25			V
$V_{CSCL}$	CS_DIS voltage clamp	$I_{CSD} = 1\text{ mA}$	5.5		7	V
		$I_{CSD} = -1\text{ mA}$		-0.7		

Table 8. Protections and diagnostics (1)

Symbol	Parameter	Test conditions	Min.	Typ.	Max.	Unit
$I_{limH}$	DC short-circuit current	$V_{CC0} = 13\text{ V}$	7	10	14	A
		$5\text{ V} < V_{CC} < 28\text{ V}$			14	
$I_{limL}$	Short-circuit current during thermal cycling	$V_{CC} = 13\text{ V}$ , $T_R < T_j < T_{TSD}$		2.5		A
$T_{TSD}$	Shutdown temperature		150	175	200	$^{\circ}\text{C}$
$T_R$	Reset temperature		$T_{RS} + 1$	$T_{RS} + 5$		$^{\circ}\text{C}$
$T_{RS}$	Thermal reset of STATUS		135			$^{\circ}\text{C}$
$T_{HYST}$	Thermal hysteresis ( $T_{TSD} - T_R$ )			7		$^{\circ}\text{C}$
$V_{DEMAG}$	Turn-off output voltage clamp	$I_{OUT} = 1\text{ A}$ , $V_{IN} = 0\text{ V}$ , $L = 20\text{ mH}$	$V_{CC} - 41$	$V_{CC} - 46$	$V_{CC} - 52$	V
$V_{ON}$	Output voltage drop limitation	$I_{OUT} = 0.03\text{ A}$ , $T_j = -40\text{ }^{\circ}\text{C}$ to $150\text{ }^{\circ}\text{C}$ (see <a href="#">Figure 7.</a> )		25		mV

1. To ensure long term reliability under heavy overload or short-circuit conditions, protection and related diagnostic signals must be used together with a proper software strategy. If the device is subjected to abnormal conditions, this software must limit the duration and number of activation cycles.

Table 9. Current sense (8 V &lt; VCC &lt; 18 V)

Symbol	Parameter	Test conditions	Min.	Typ.	Max.	Unit
$K_0$	$I_{OUT}/I_{SENSE}$	$I_{OUT} = 0.025\text{ A}$ , $V_{SENSE} = 0.5\text{ V}$ , $V_{CSD} = 0\text{ V}$ , $T_j = -40\text{ }^\circ\text{C}$ to $150\text{ }^\circ\text{C}$	270	520	730	
$K_1$	$I_{OUT}/I_{SENSE}$	$I_{OUT} = 0.35\text{ A}$ , $V_{SENSE} = 0.5\text{ V}$ , $V_{CSD} = 0\text{ V}$ , $T_j = -40\text{ }^\circ\text{C}$ to $150\text{ }^\circ\text{C}$	345	470	610	
		$I_{OUT} = 0.35\text{ A}$ , $V_{SENSE} = 0.5\text{ V}$ , $V_{CSD} = 0\text{ V}$ , $T_j = 25\text{ }^\circ\text{C}$ to $150\text{ }^\circ\text{C}$	370	470	540	
$dK_1/K_1^{(1)}$	Current sense ratio drift	$I_{OUT} = 0.35\text{ A}$ ; $V_{SENSE} = 0.5\text{ V}$ , $V_{CSD} = 0\text{ V}$ , $T_j = -40\text{ }^\circ\text{C}$ to $150\text{ }^\circ\text{C}$	-13		13	%
$K_2$	$I_{OUT}/I_{SENSE}$	$I_{OUT} = 0.5\text{ A}$ , $V_{SENSE} = 4\text{ V}$ , $V_{CSD} = 0\text{ V}$ , $T_j = -40\text{ }^\circ\text{C}$ to $150\text{ }^\circ\text{C}$	370	460	550	
		$I_{OUT} = 0.5\text{ A}$ , $V_{SENSE} = 4\text{ V}$ , $V_{CSD} = 0\text{ V}$ , $T_j = 25\text{ }^\circ\text{C}$ to $150\text{ }^\circ\text{C}$	390	460	510	
$dK_2/K_2^{(1)}$	Current sense ratio drift	$I_{OUT} = 0.5\text{ A}$ , $V_{SENSE} = 4\text{ V}$ , $V_{CSD} = 0\text{ V}$ , $T_j = -40\text{ }^\circ\text{C}$ to $150\text{ }^\circ\text{C}$	-8		8	%
$K_3$	$I_{OUT}/I_{SENSE}$	$I_{OUT} = 1.5\text{ A}$ , $V_{SENSE} = 4\text{ V}$ , $V_{CSD} = 0\text{ V}$ , $T_j = -40\text{ }^\circ\text{C}$ to $150\text{ }^\circ\text{C}$	400	430	470	
		$I_{OUT} = 1.5\text{ A}$ , $V_{SENSE} = 4\text{ V}$ , $V_{CSD} = 0\text{ V}$ , $T_j = 25\text{ }^\circ\text{C}$ to $150\text{ }^\circ\text{C}$	410	430	460	
$dK_3/K_3^{(1)}$	Current sense ratio drift	$I_{OUT} = 1.5\text{ A}$ , $V_{SENSE} = 4\text{ V}$ , $V_{CSD} = 0\text{ V}$ , $T_j = -40\text{ }^\circ\text{C}$ to $150\text{ }^\circ\text{C}$	-4		4	%
$I_{SENSE0}$	Analog sense leakage current	$I_{OUT} = 0\text{ A}$ , $V_{SENSE} = 0\text{ V}$ , $V_{CSD} = 5\text{ V}$ , $V_{IN} = 0\text{ V}$ , $T_j = -40\text{ }^\circ\text{C}$ to $150\text{ }^\circ\text{C}$	0		1	$\mu\text{A}$
		$I_{OUT} = 0\text{ A}$ , $V_{SENSE} = 0\text{ V}$ ; $V_{CSD} = 0\text{ V}$ , $V_{IN} = 5\text{ V}$ , $T_j = -40\text{ }^\circ\text{C}$ to $150\text{ }^\circ\text{C}$	0		2	
		$I_{OUT} = 0.6\text{ A}$ , $V_{SENSE} = 0\text{ V}$ ; $V_{CSD} = 5\text{ V}$ , $V_{IN} = 5\text{ V}$ , $T_j = -40\text{ }^\circ\text{C}$ to $150\text{ }^\circ\text{C}$	0		1	
$I_{OL}$	Open-load ON-state current detection threshold	$V_{IN} = 5\text{ V}$ , $8\text{ V} < V_{CC} < 18\text{ V}$ $I_{SENSE} = 5\text{ } \mu\text{A}$	1		5	$\text{mA}$
$V_{SENSE}$	Max analog sense output voltage	$I_{OUT} = 1.5\text{ A}$ , $V_{CSD} = 0\text{ V}$	5			$\text{V}$
$V_{SENSEH}^{(2)}$	Analog sense output voltage in fault condition	$V_{CC} = 13\text{ V}$ , $R_{SENSE} = 3.9\text{ K}\Omega$ ;		8		$\text{V}$
$I_{SENSEH}^{(2)}$	Analog sense output current in fault condition	$V_{CC} = 13\text{ V}$ , $V_{SENSE} = 5\text{ V}$		9		$\text{mA}$

**Table 9. Current sense (8 V < VCC < 18 V) (continued)**

Symbol	Parameter	Test conditions	Min.	Typ.	Max.	Unit
$t_{DSENSE1H}$	Delay response time from falling edge of CS_DIS pin	$V_{SENSE} < 4\text{ V}$ , $0.08\text{ A} < I_{OUT} < 1.5\text{ A}$ $I_{SENSE} = 90\%$ of $I_{SENSE\text{ max}}$ (see <a href="#">Figure 4.</a> )		40	100	$\mu\text{s}$
$t_{DSENSE1L}$	Delay response time from rising edge of CS_DIS pin	$V_{SENSE} < 4\text{ V}$ , $0.08\text{ A} < I_{OUT} < 1.5\text{ A}$ $I_{SENSE} = 10\%$ of $I_{SENSE\text{ max}}$ (see <a href="#">Figure 4.</a> )		5	20	$\mu\text{s}$
$t_{DSENSE2H}$	Delay response time from rising edge of IN pin	$V_{SENSE} < 4\text{ V}$ , $0.08\text{ A} < I_{OUT} < 1.5\text{ A}$ $I_{SENSE} = 90\%$ of $I_{SENSE\text{ max}}$ (see <a href="#">Figure 4.</a> )		30	150	$\mu\text{s}$
$\Delta t_{DSENSE2H}$	Delay response time between rising edge of output current and rising edge of current sense	$V_{SENSE} < 4\text{ V}$ , $I_{SENSE} = 90\%$ of $I_{SENSEMAX}$ , $I_{OUT} = 90\%$ of $I_{OUTMAX}$ $I_{OUTMAX} = 1.5\text{ A}$ (see <a href="#">Figure 6</a> )			110	$\mu\text{s}$
$t_{DSENSE2L}$	Delay response time from falling edge of IN pin	$V_{SENSE} < 4\text{ V}$ , $0.08\text{ A} < I_{OUT} < 1.5\text{ A}$ $I_{SENSE} = 10\%$ of $I_{SENSE\text{ max}}$ (see <a href="#">Figure 4.</a> )		80	250	$\mu\text{s}$

1. Parameter guaranteed by design; it is not tested.
2. Fault condition includes: power limitation and overtemperature.

**Figure 4. Current sense delay characteristics**

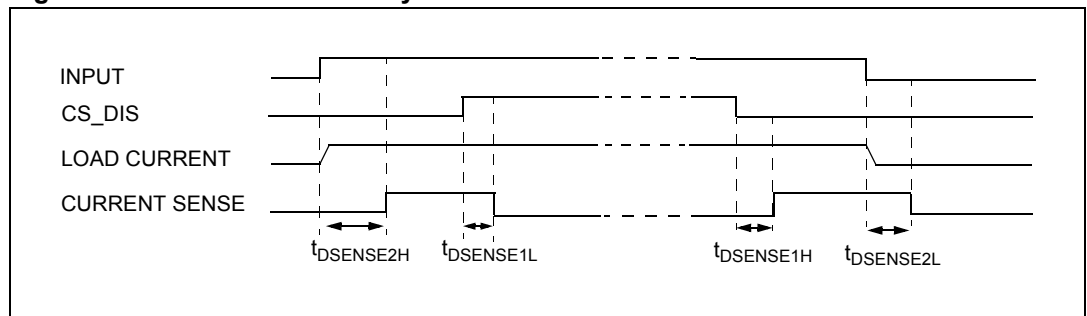


Figure 5. Switching characteristics

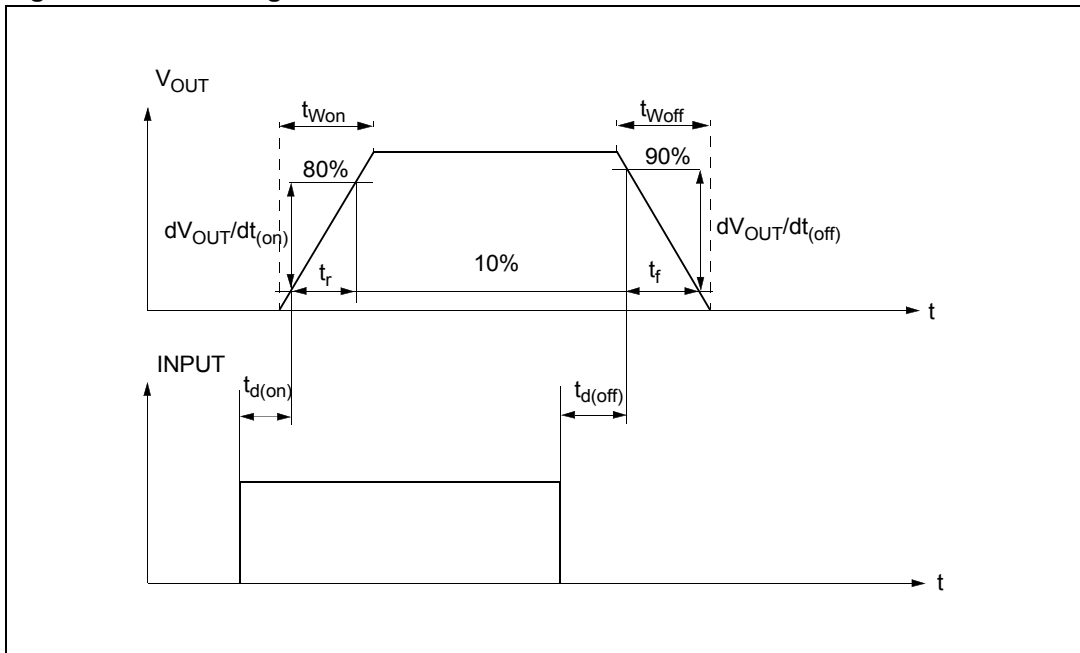


Figure 6. Delay response time between rising edge of output current and rising edge of current sense (CS enabled)

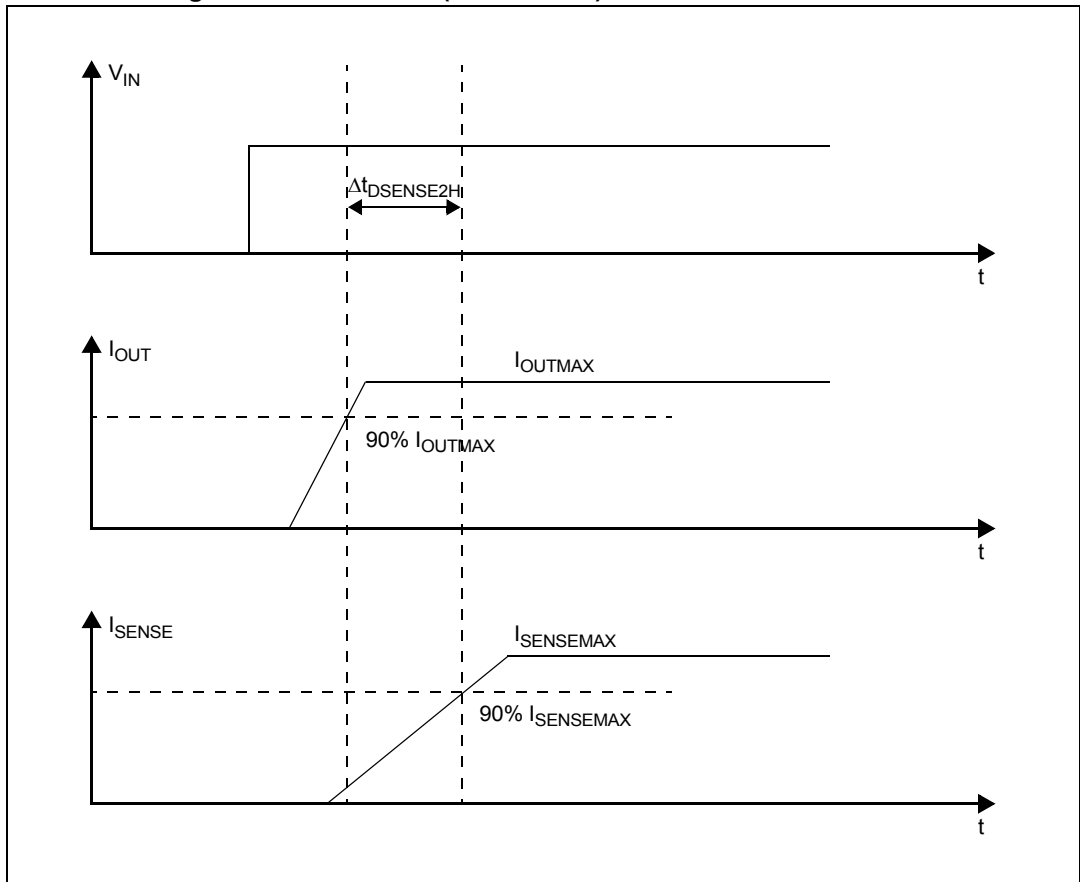


Figure 7. Output voltage drop limitation

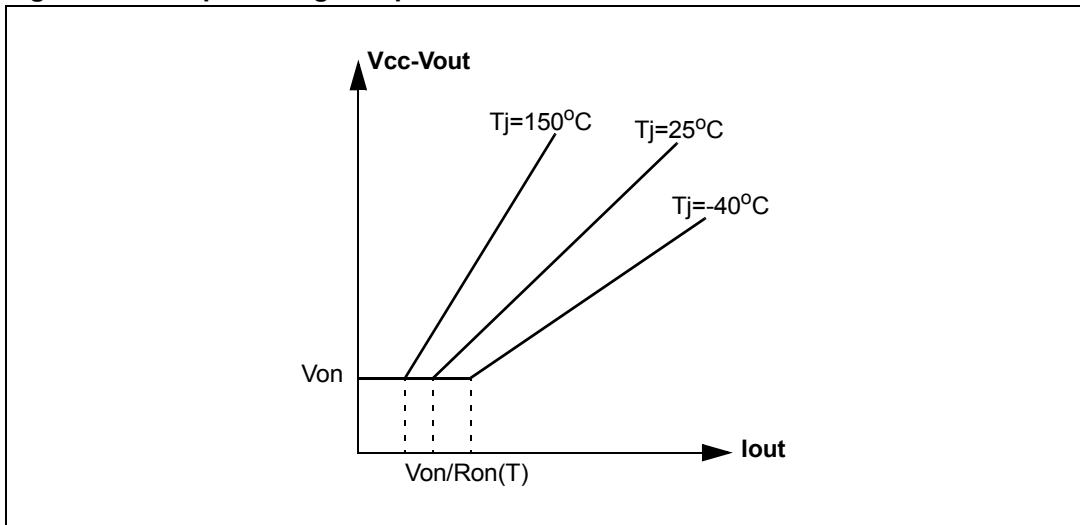


Figure 8.  $I_{out}/I_{sense}$  vs  $I_{out}$

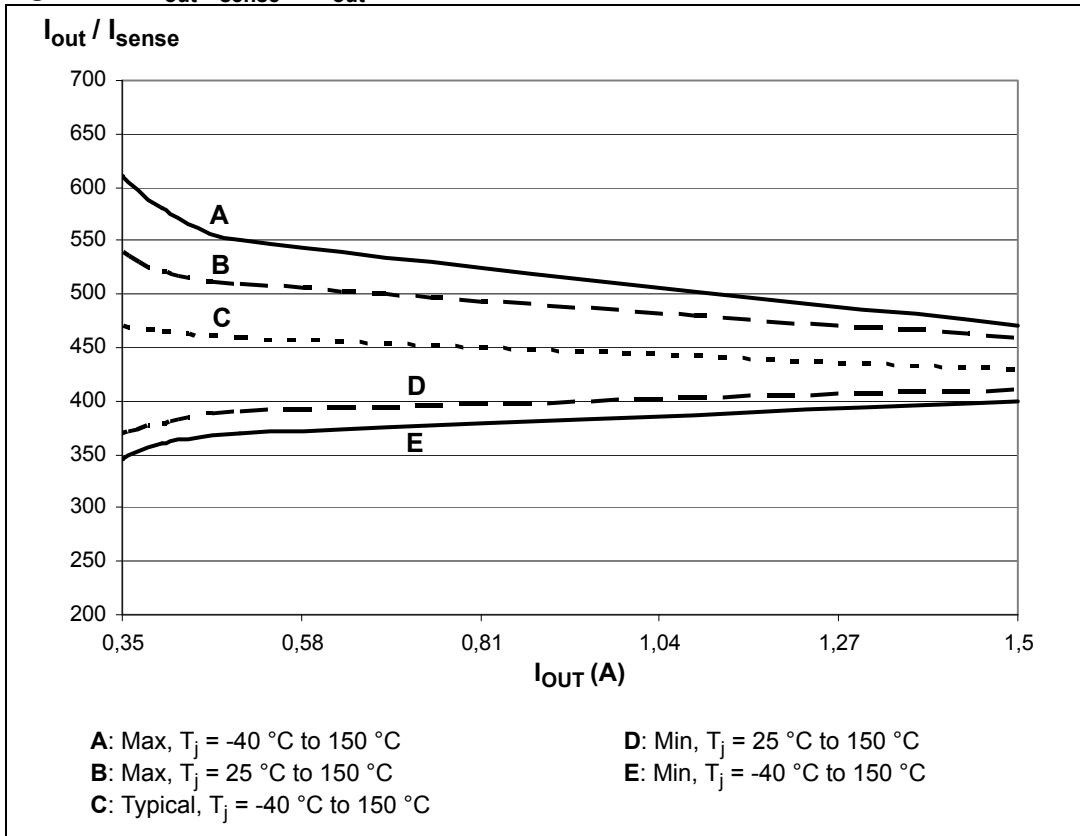
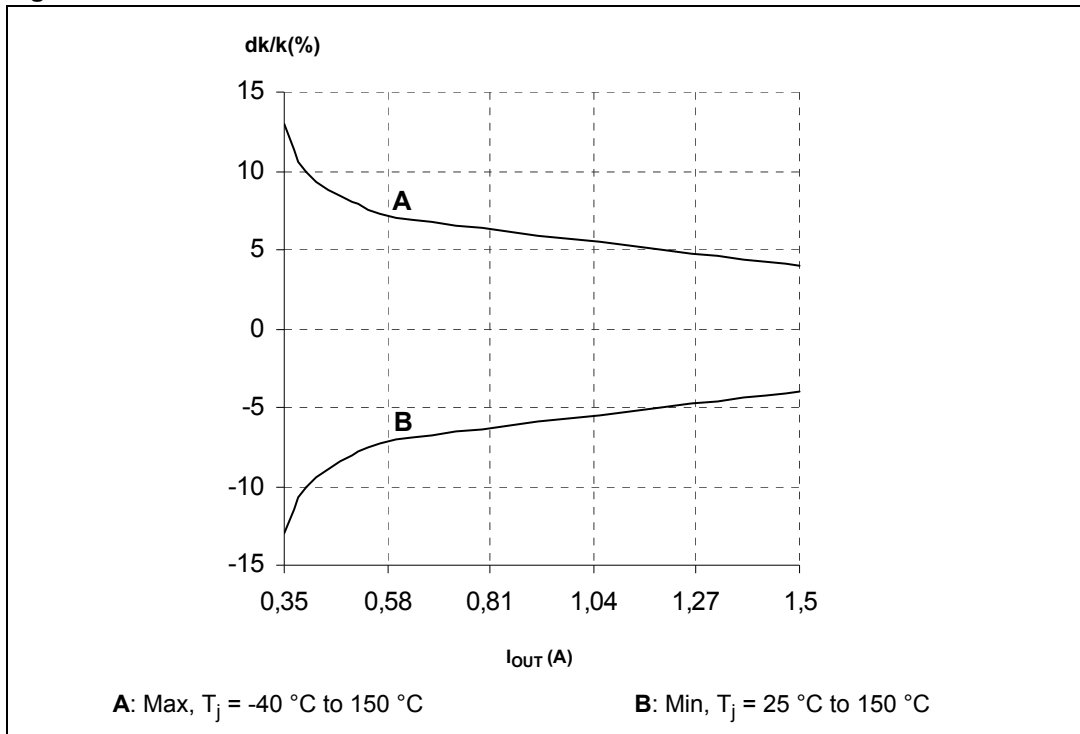


Figure 9. Maximum current sense ratio drift vs load current<sup>(1)</sup>



1. Parameter guaranteed by design; it is not tested.

Table 10. Truth table

Conditions	Input	Output	Sense ( $V_{CSD} = 0\text{ V}$ ) <sup>(1)</sup>
Normal operation	L	L	0
	H	H	Nominal
Overtemperature	L	L	0
	H	L	$V_{SENSEH}$
Undervoltage	L	L	0
	H	L	0
Overload	H	X	Nominal
	H	(no power limitation) Cycling (power limitation)	$V_{SENSEH}$
Short-circuit to GND (power limitation)	L	L	0
	H	L	$V_{SENSEH}$
Negative output voltage clamp	L	L	0

1. If the  $V_{CSD}$  is high, the SENSE output is at a high-impedance, its potential depends on leakage currents and external circuit.

**Table 11. Electrical transient requirements (part 1)**

ISO 7637-2: 2004(E) Test pulse	Test levels <sup>(1)</sup>		Number of pulses or test times	Burst cycle/pulse repetition time		Delays and Impedance
	III	IV		Min.	Max.	
1	-75 V	-100 V	5000 pulses	0.5 s	5 s	2 ms, 10 Ω
2a	+37 V	+50 V	5000 pulses	0.2 s	5 s	50 μs, 2 Ω
3a	-100 V	-150 V	1 h	90 ms	100 ms	0.1 μs, 50 Ω
3b	+75 V	+100 V	1 h	90 ms	100 ms	0.1 μs, 50 Ω
4	-6 V	-7 V	1 pulse			100 ms, 0.01 Ω
5b <sup>(2)</sup>	+65 V	+87 V	1 pulse			400 ms, 2 Ω

1. The above test levels must be considered referred to  $V_{CC} = 13.5\text{ V}$  except for pulse 5b.
2. Valid in case of external load dump clamp: 40 V maximum referred to ground.

**Table 12. Electrical transient requirements (part 2)**

ISO 7637-2: 2004(E) Test pulse	Test level results	
	III	IV
1	C	C
2a	C	C
3a	C	C
3b	C	C
4	C	C
5b <sup>(1)</sup>	C	C

1. Valid in case of external load dump clamp: 40 V maximum referred to ground.

**Table 13. Electrical transient requirements (part 3)**

Class	Contents
C	All functions of the device are performed as designed after exposure to disturbance.
E	One or more functions of the device are not performed as designed after exposure to disturbance and cannot be returned to proper operation without replacing the device.



## 2.4 Waveforms

Figure 10. Normal operation

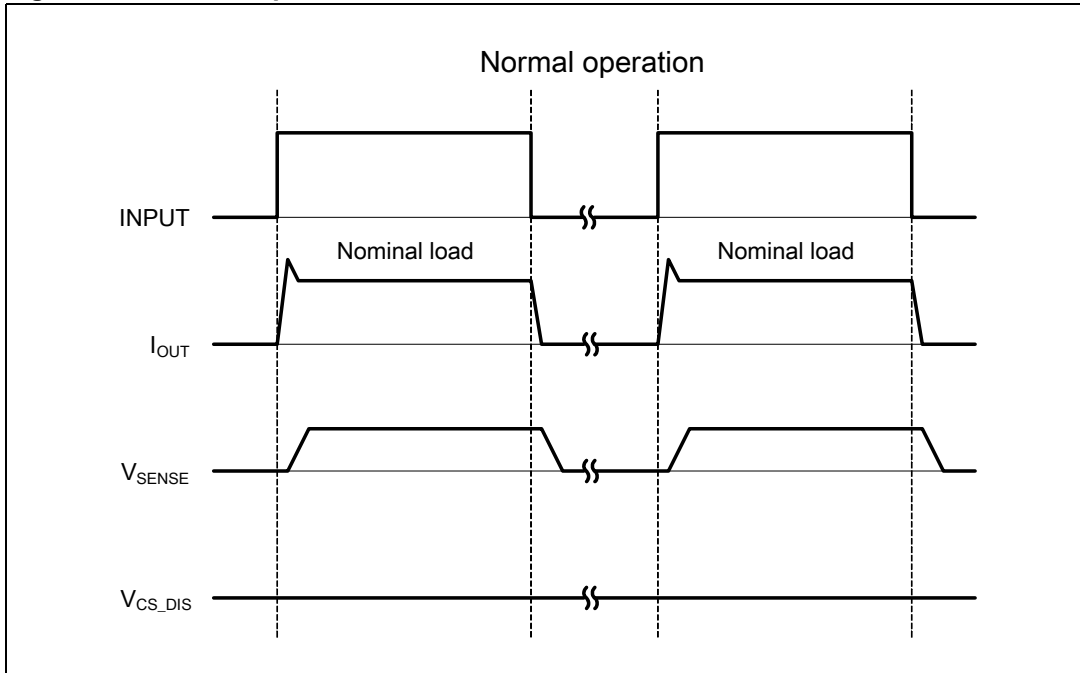


Figure 11. Overload or short to GND

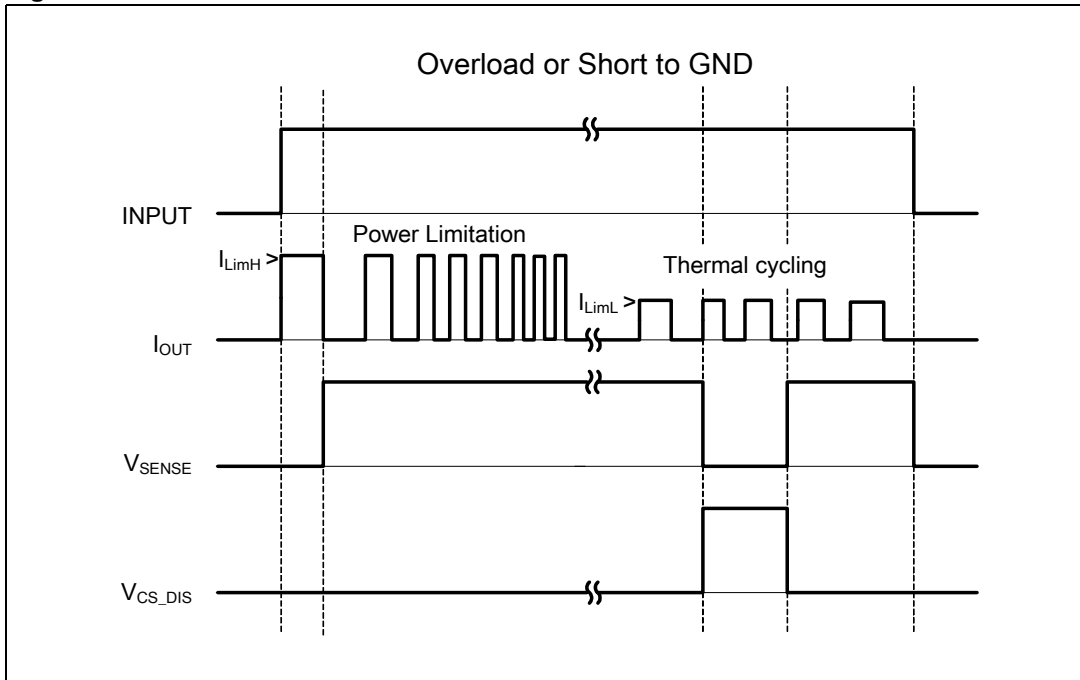


Figure 12. Intermittent overload

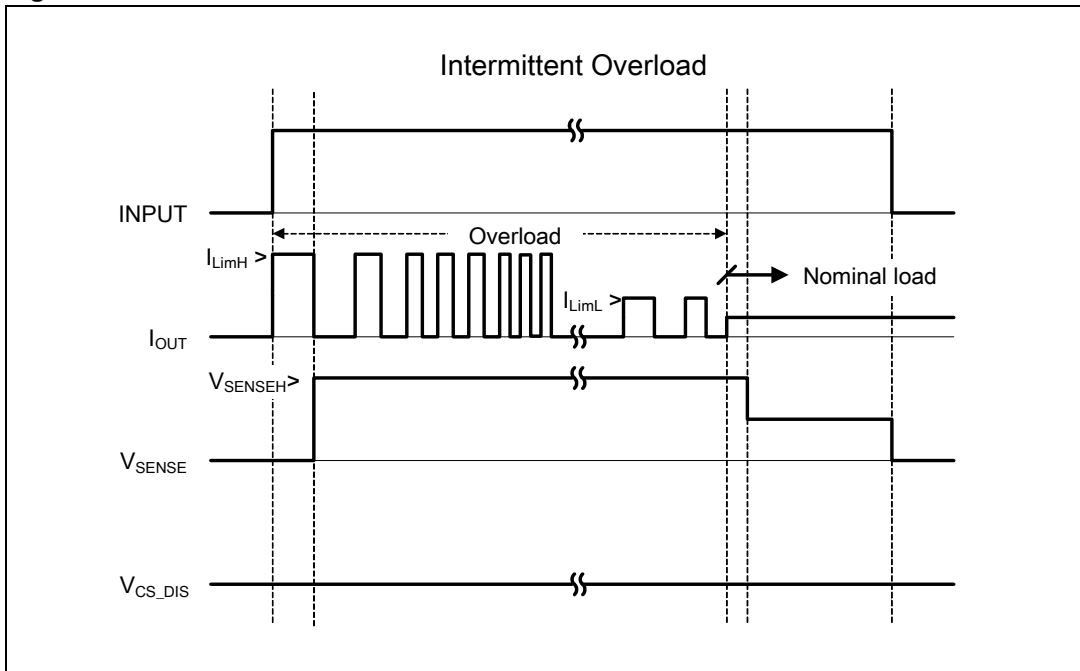
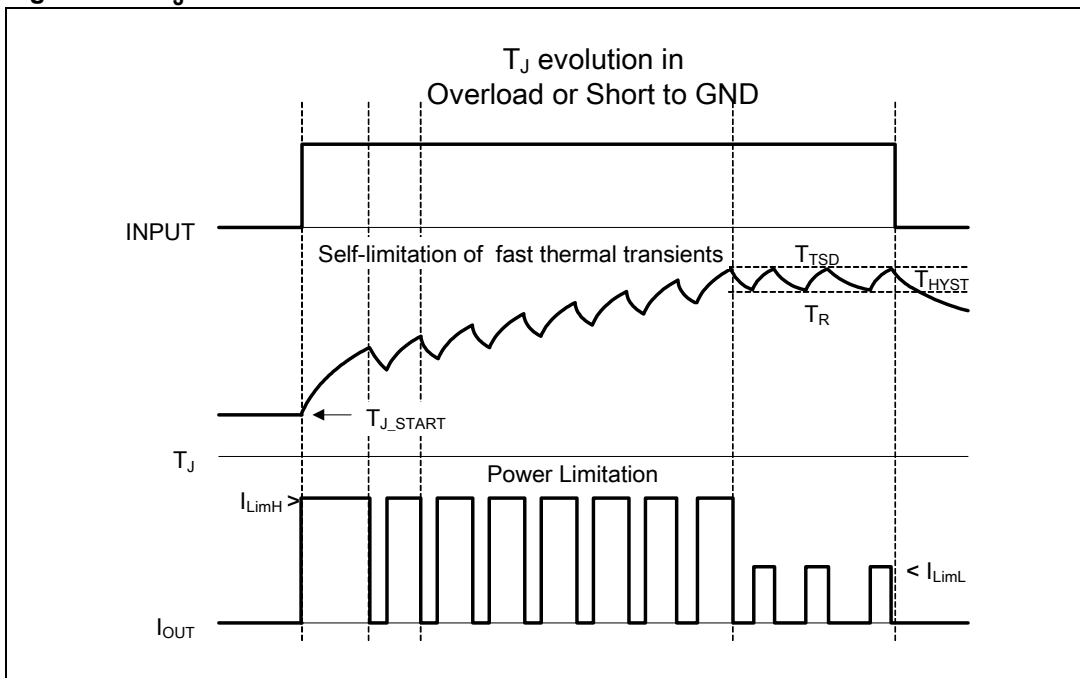


Figure 13. T<sub>J</sub> evolution in overload or short to GND



## 2.5 Electrical characteristics curves

Figure 14. OFF-state output current

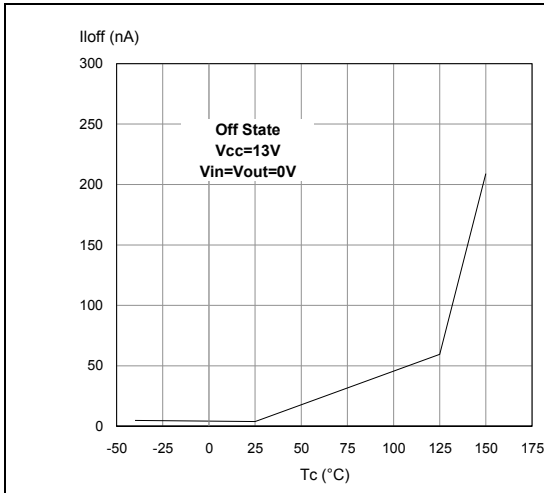


Figure 15. High-level input current

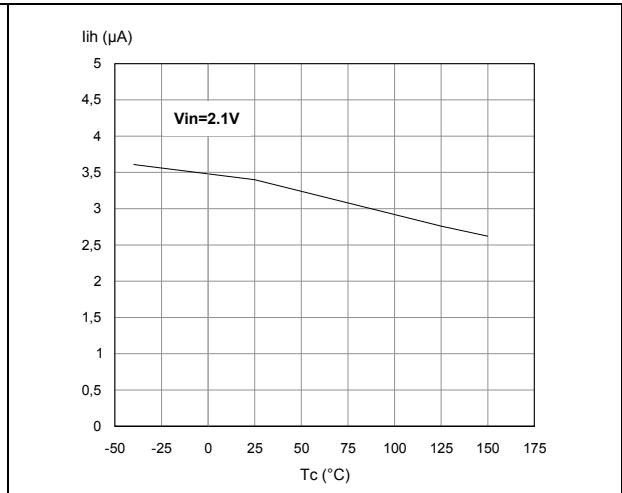


Figure 16. Input clamp voltage

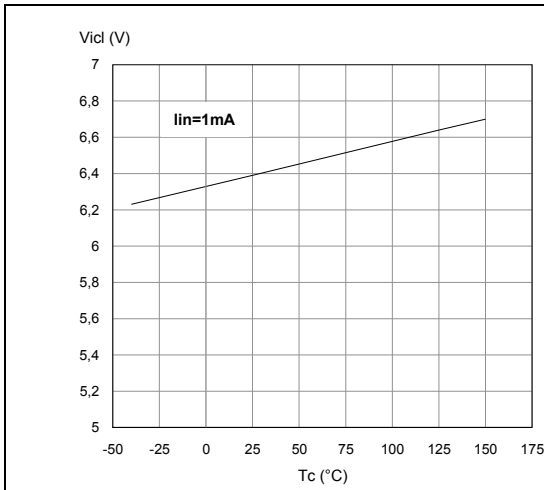


Figure 17. Low-level input voltage

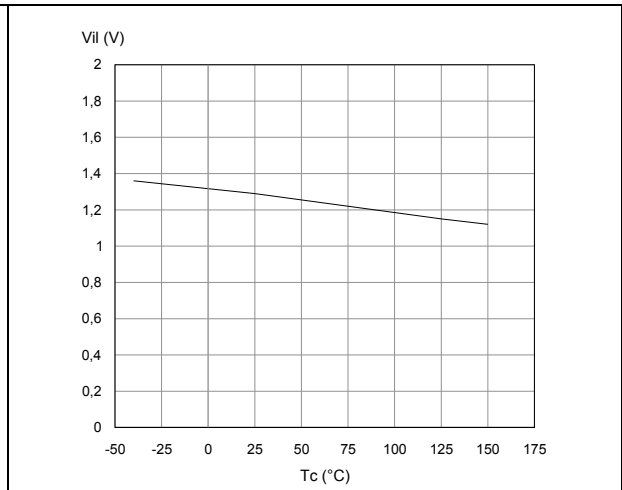


Figure 18. High-level input voltage

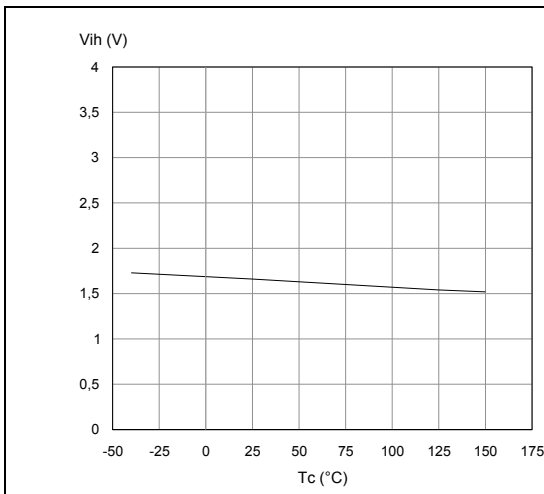


Figure 19. Hysteresis input voltage

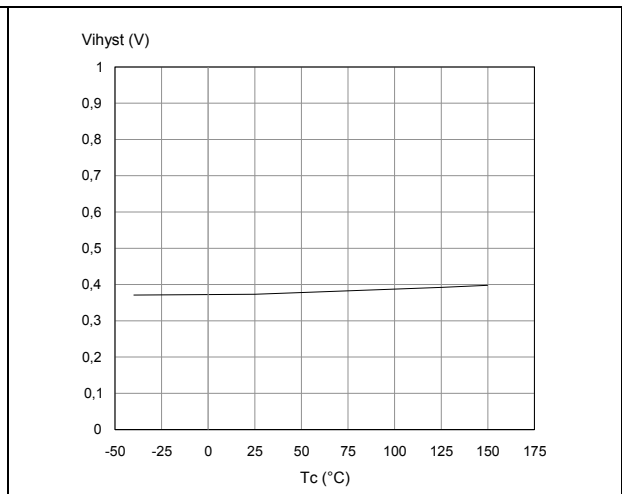


Figure 20. ON-state resistance vs  $T_{case}$

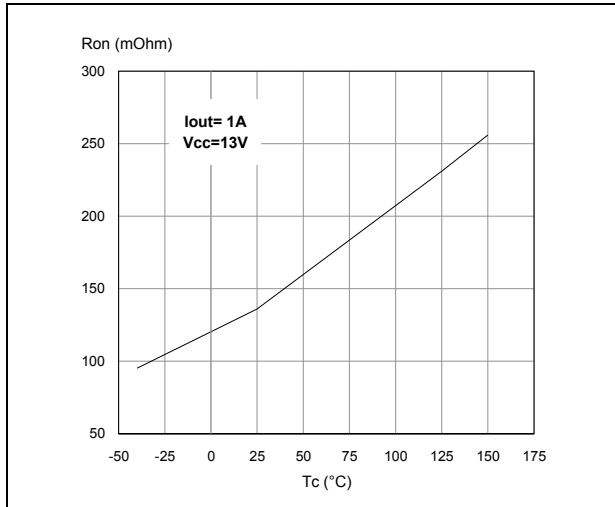


Figure 21. ON-state resistance vs  $V_{CC}$

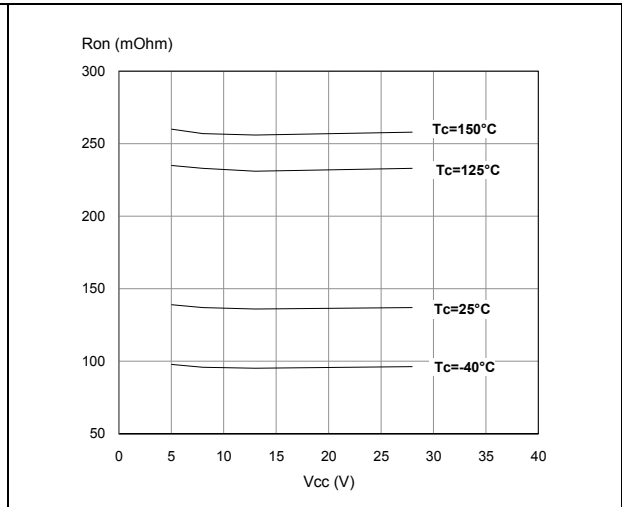


Figure 22. Undervoltage shutdown

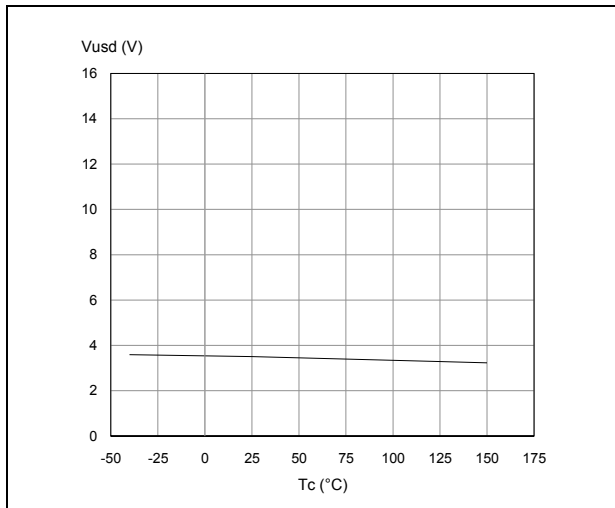


Figure 23. Turn-on voltage slope

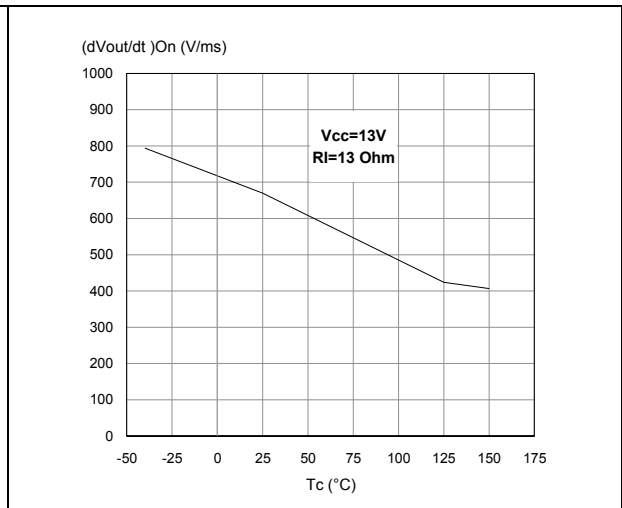


Figure 24.  $I_{LIMH}$  vs  $T_{case}$

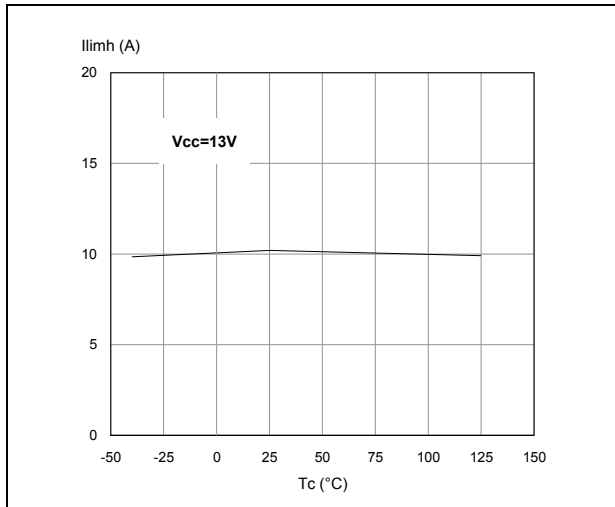
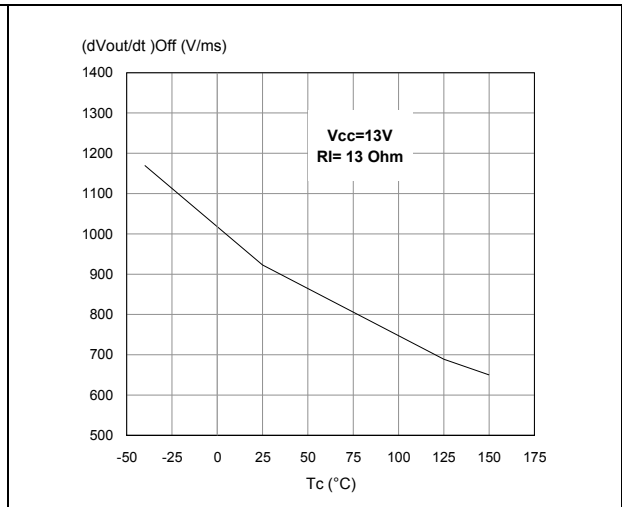
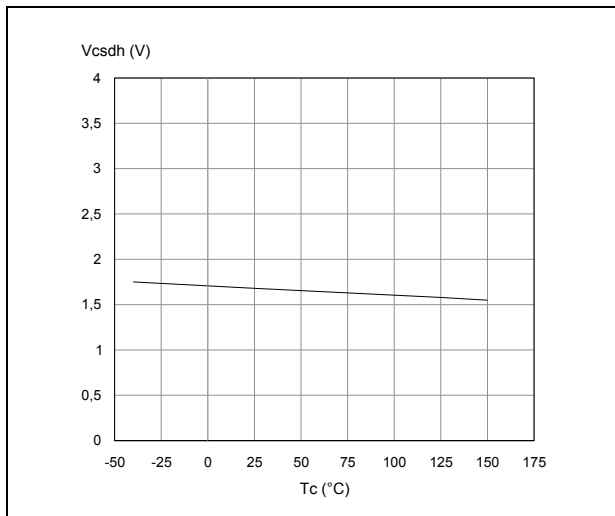


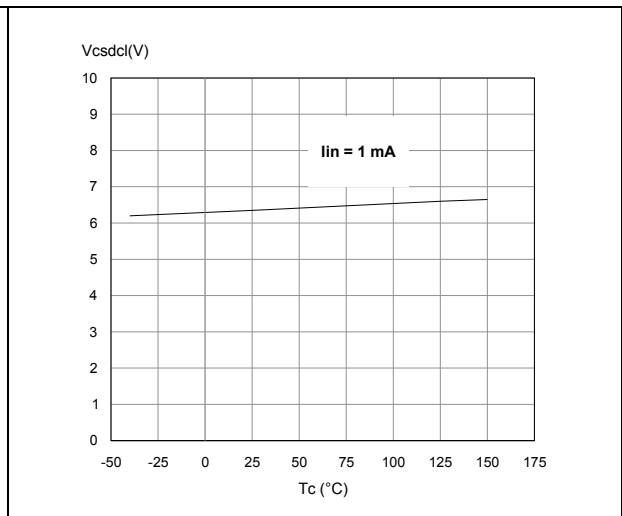
Figure 25. Turn-off voltage slope



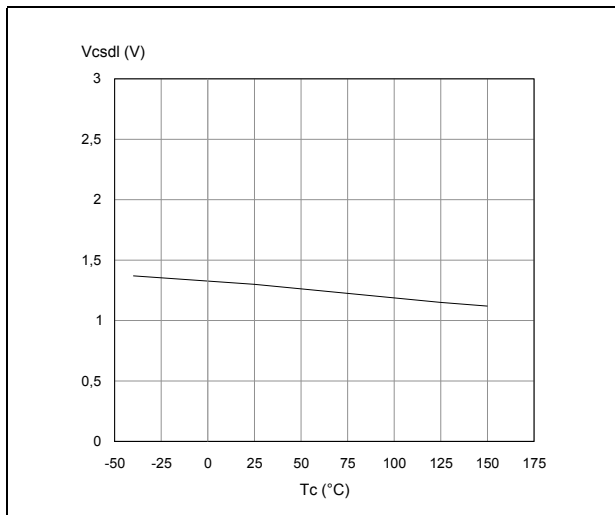
**Figure 26. High-level CS\_DIS voltage**



**Figure 27. CS\_DIS clamp voltage**

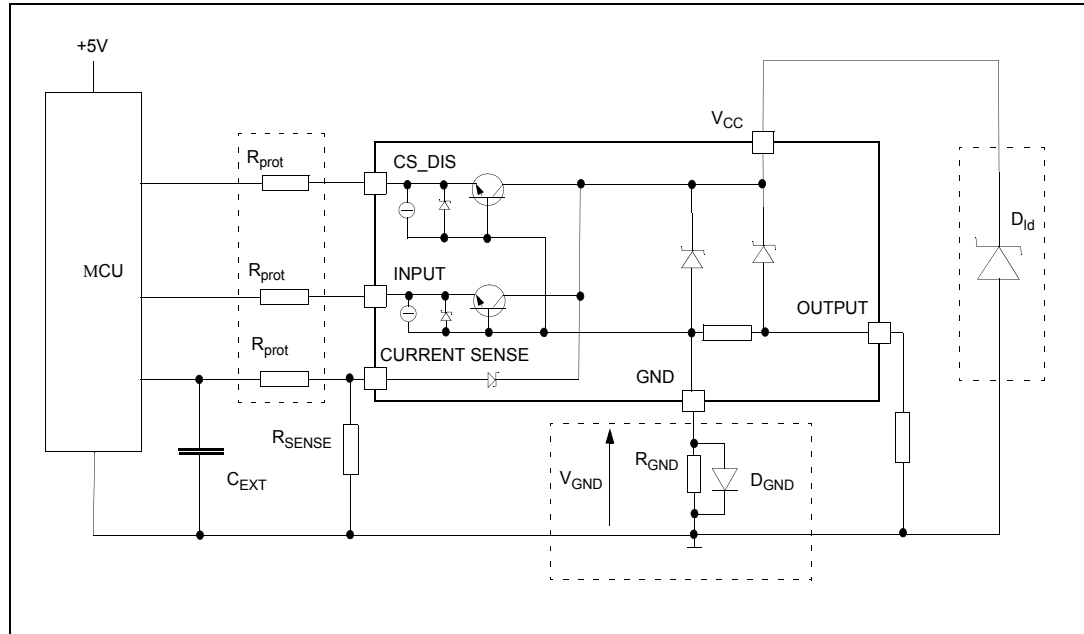


**Figure 28. Low-level CS\_DIS voltage**



### 3 Application information

Figure 29. Application schematic<sup>(1)</sup>



1. Channel 2 has the same internal circuit as channel 1.

### 3.1 GND protection network against reverse battery

This section provides two solutions for implementing a ground protection network against reverse battery.

#### 3.1.1 Solution 1: resistor in the ground line (R<sub>GND</sub> only)

This can be used with any type of load.

The following is an indication on how to dimension the R<sub>GND</sub> resistor.

1.  $R_{GND} \leq 600 \text{ mV} / (I_{S(on)max})$
2.  $R_{GND} \geq (-V_{CC}) / (-I_{GND})$

where  $-I_{GND}$  is the DC reverse ground pin current and can be found in the absolute maximum rating section of the device datasheet.

Power dissipation in R<sub>GND</sub> (when V<sub>CC</sub> < 0: during reverse battery situations) is:

#### Equation 1

$$P_D = (-V_{CC})^2 / R_{GND}$$

This resistor can be shared amongst several different HSDs. Please note that the value of this resistor should be calculated with formula (1) where  $I_{S(on)max}$  becomes the sum of the maximum ON-state currents of the different devices.

Please note that if the microprocessor ground is not shared by the device ground then the  $R_{GND}$  will produce a shift ( $I_{S(on)max} * R_{GND}$ ) in the input thresholds and the status output values. This shift will vary depending on how many devices are on in the case of several high-side drivers sharing the same  $R_{GND}$ .

If the calculated power dissipation leads to a large resistor or several devices have to share the same resistor then ST suggests to utilize Solution 2 (see below).

### 3.1.2 Solution 2: diode ( $D_{GND}$ ) in the ground line

A resistor ( $R_{GND} = 1 \text{ k}\Omega$ ) should be inserted in parallel to  $D_{GND}$  if the device drives an inductive load.

This small signal diode can be safely shared amongst several different HSDs. Also in this case, the presence of the ground network will produce a shift ( $\approx 600 \text{ mV}$ ) in the input threshold and in the status output values if the microprocessor ground is not common to the device ground. This shift will not vary if more than one HSD shares the same diode/resistor network.

## 3.2 Load dump protection

$D_{ld}$  is necessary (voltage transient suppressor) if the load dump peak voltage exceeds the  $V_{CC}$  max DC rating. The same applies if the device is subject to transients on the  $V_{CC}$  line that are greater than the ones shown in the ISO 7637-2: 2004(E) table.

## 3.3 MCU I/Os protection

If a ground protection network is used and negative transient are present on the  $V_{CC}$  line, the control pins will be pulled negative. ST suggests to insert a resistor ( $R_{prot}$ ) in line to prevent the microcontroller I/Os pins to latch-up.

The value of these resistors is a compromise between the leakage current of microcontroller and the current required by the HSD I/Os (input levels compatibility) with the latch-up limit of microcontroller I/Os:

### Equation 2

$$-V_{CCpeak} / I_{latchup} \leq R_{prot} \leq (V_{OH\mu C} - V_{IH} - V_{GND}) / I_{IHmax}$$

Calculation example:

For  $V_{CCpeak} = -100 \text{ V}$ ,  $I_{latchup} \geq 20 \text{ mA}$ ;  $V_{OH\mu C} \geq 4.5 \text{ V}$

$$5 \text{ k}\Omega \leq R_{prot} \leq 180 \text{ k}\Omega$$

Recommended values:  $R_{prot} = 10 \text{ k}\Omega$ ,  $C_{EXT} = 10 \text{ nF}$ .

### 3.4 Current sense and diagnostic

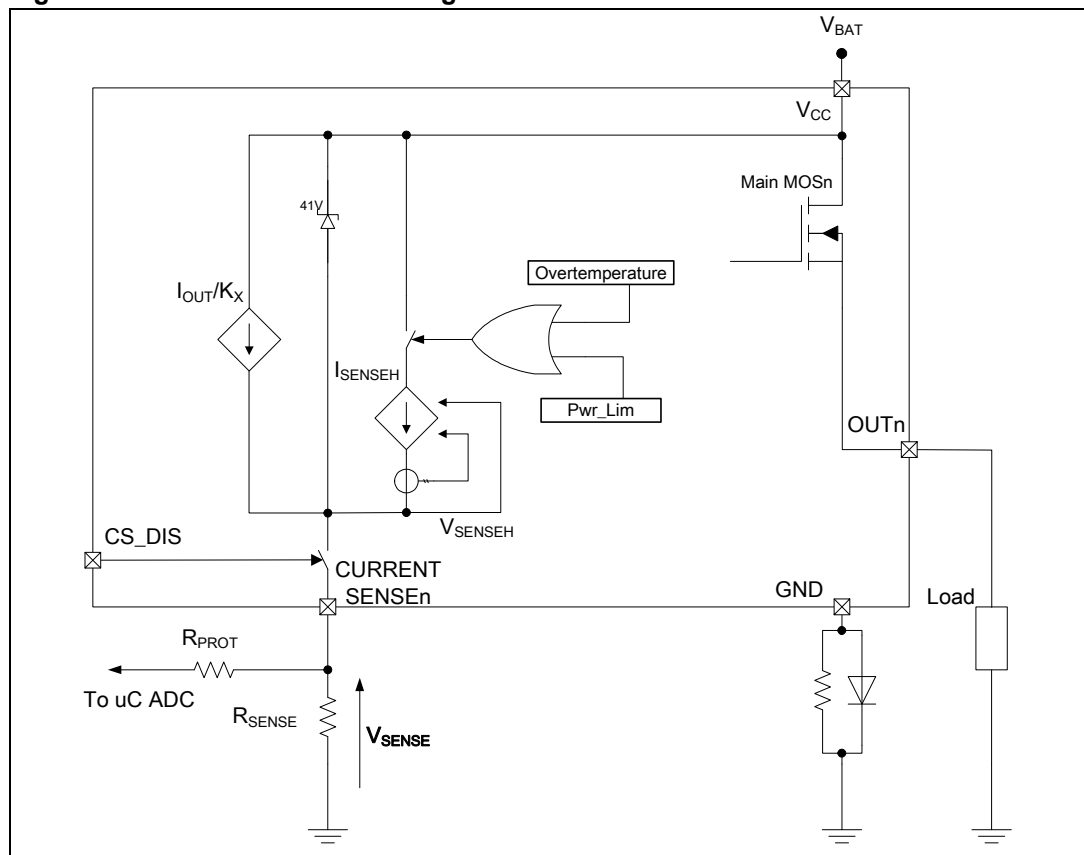
The current sense pin performs a double function (see [Figure 30: Current sense and diagnostic](#)):

- 1 **Current mirror of the load current in normal operation**, delivering a current proportional to the load one according to a know ratio  $K_X$ .  
 The current  $I_{SENSE}$  can be easily converted to a voltage  $V_{SENSE}$  by means of an external resistor  $R_{SENSE}$ . Linearity between  $I_{OUT}$  and  $V_{SENSE}$  is ensured up to 5 V minimum (see parameter  $V_{SENSE}$  in [Table 9: Current sense \(8 V < VCC < 18 V\)](#)). The current sense accuracy depends on the output current (refer to current sense electrical characteristics [Table 9: Current sense \(8 V < VCC < 18 V\)](#)).
- 2 **Diagnostic flag in fault conditions**, delivering a fixed voltage  $V_{SENSEH}$  up to a maximum current  $I_{SENSEH}$  in case of the following fault conditions (refer to [Table 10: Truth table](#)):

  - Power limitation activation
  - Overtemperature

A logic level high on CS\_DIS pin sets at the same time all the current sense pins of the device in a high-impedance state, thus disabling the current monitoring and diagnostic detection. This feature allows multiplexing of the microcontroller analog inputs by sharing of sense resistance and ADC line among different devices.

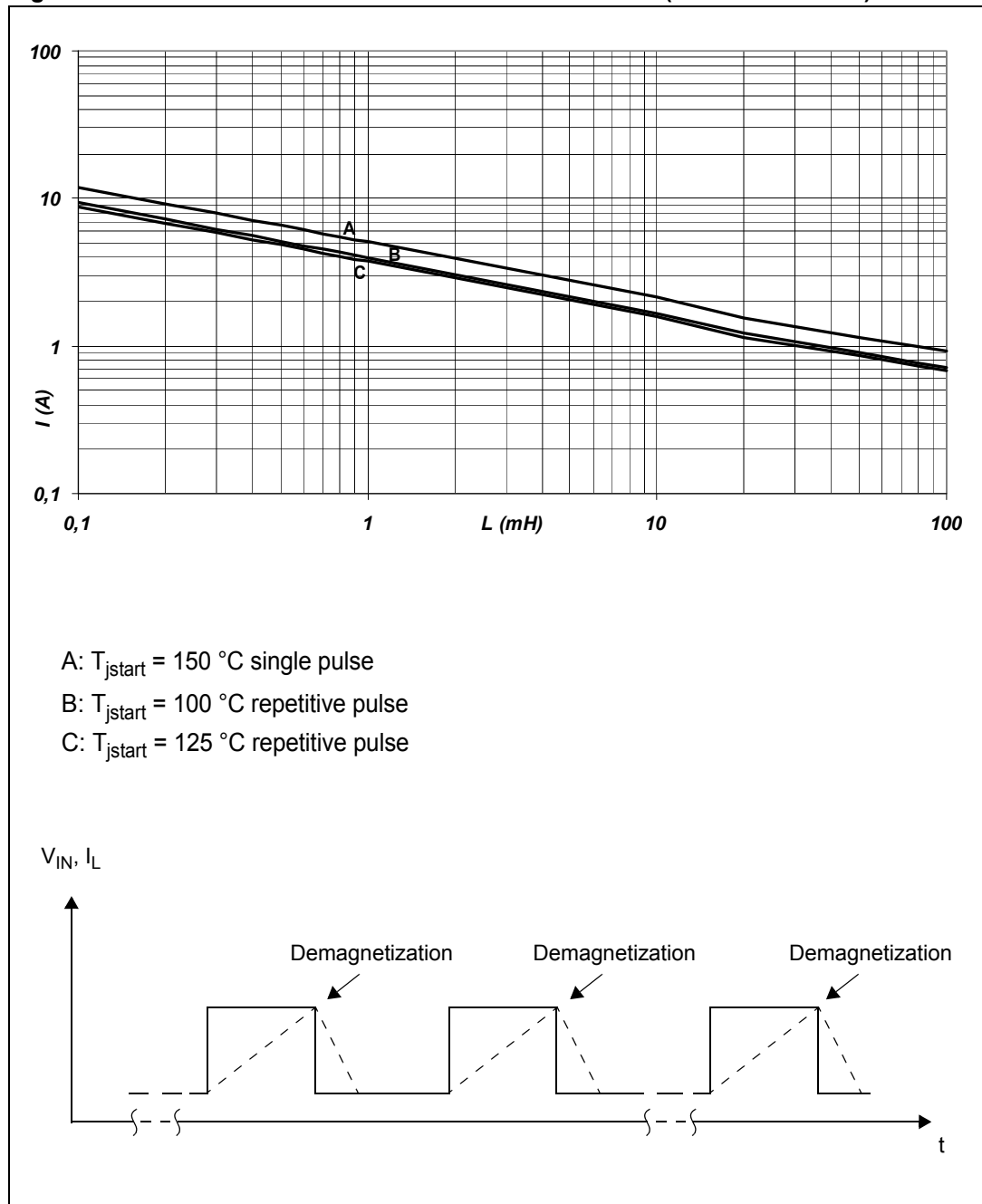
**Figure 30. Current sense and diagnostic**





### 3.5 Maximum demagnetization energy ( $V_{CC} = 13.5\text{ V}$ )

Figure 31. Maximum turn-off current versus inductance (for each channel)<sup>(1)</sup>



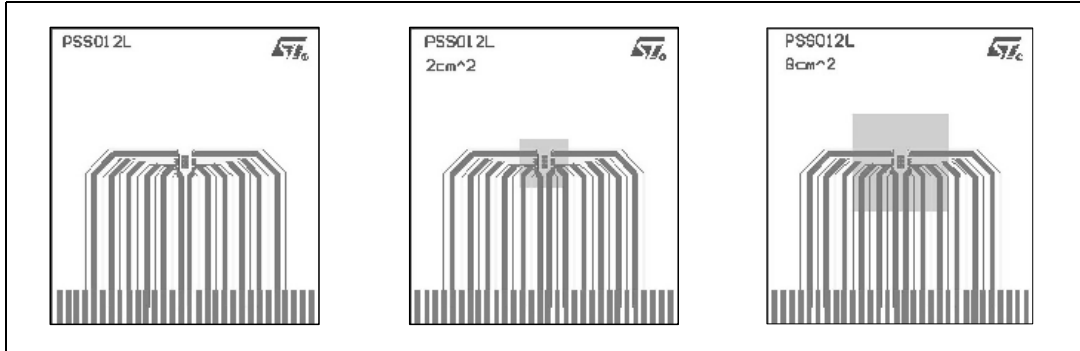
1. Values are generated with  $R_L = 0\ \Omega$ .

In case of repetitive pulses,  $T_{jstart}$  (at beginning of each demagnetization) of every pulse must not exceed the temperature specified above for curves A and B.

## 4 Package and PC board thermal data

### 4.1 PowerSSO-12 thermal data

Figure 32. PowerSSO-12 PC board<sup>(1)</sup>



1. Layout condition of  $R_{thj}$  and  $Z_{th}$  measurements (PCB: double layer, thermal vias, FR4 area = 77 mm x 86 mm, PCB thickness = 1.6 mm, Cu thickness = 70  $\mu$ m (front and back side), Copper areas: from minimum pad lay-out to 8 cm<sup>2</sup>).

Figure 33.  $R_{thj-amb}$  vs PCB copper area in open box free air condition (one channel on)

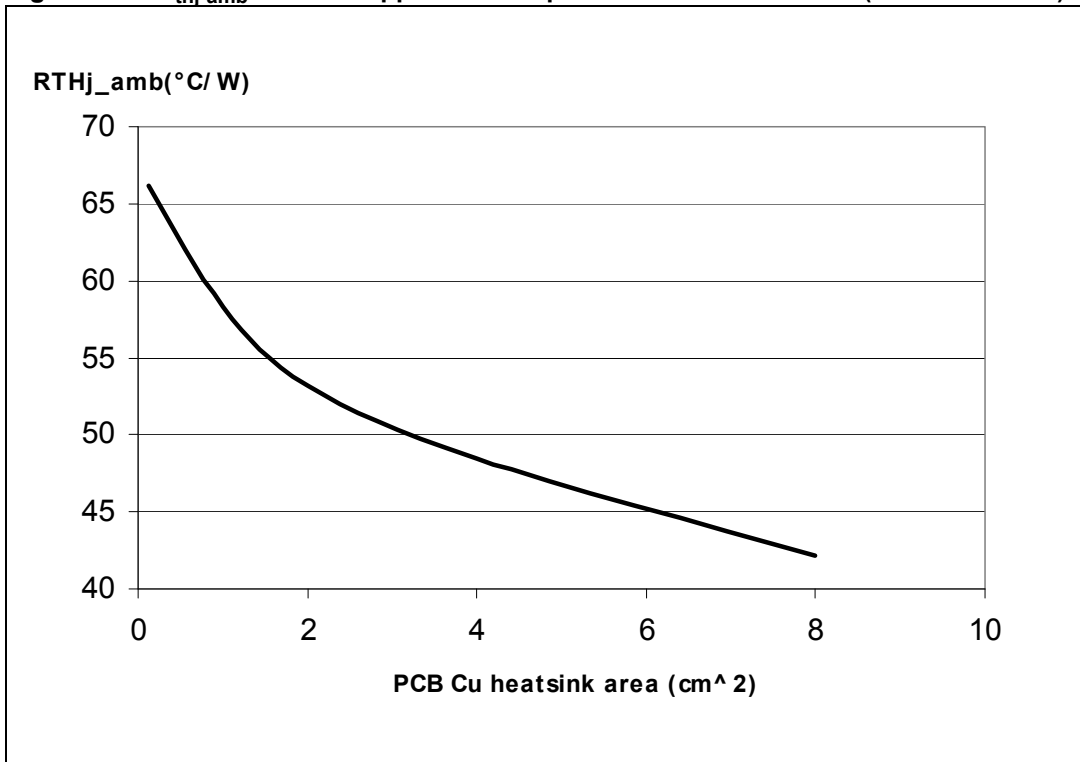
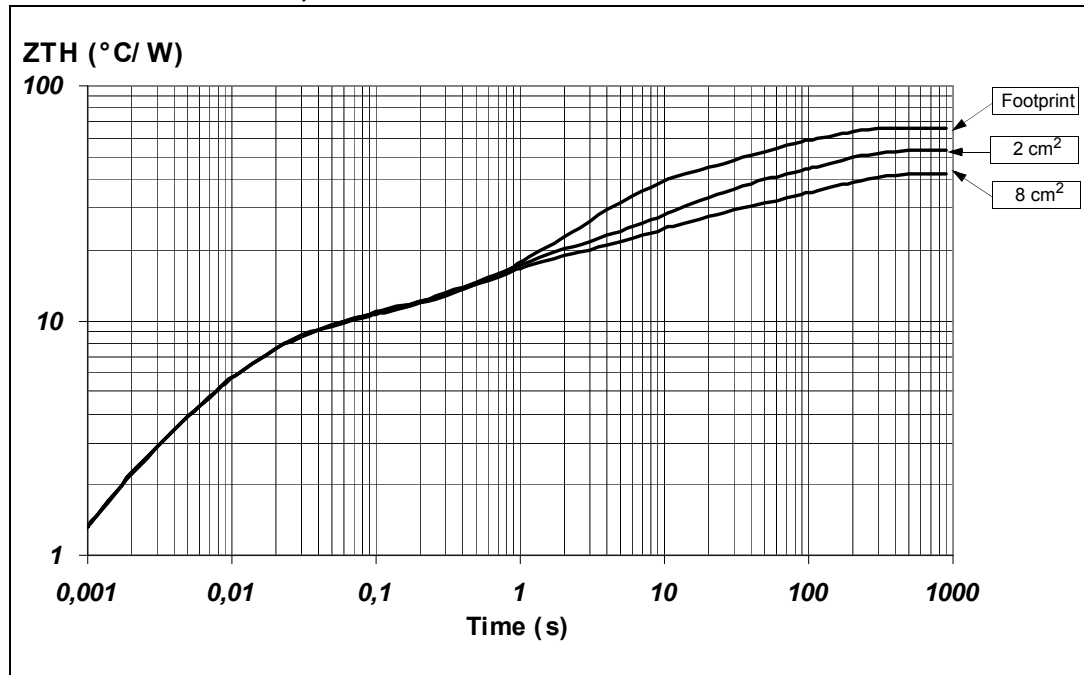


Figure 34. PowerSSO-12 thermal impedance junction ambient single pulse (one channel on)

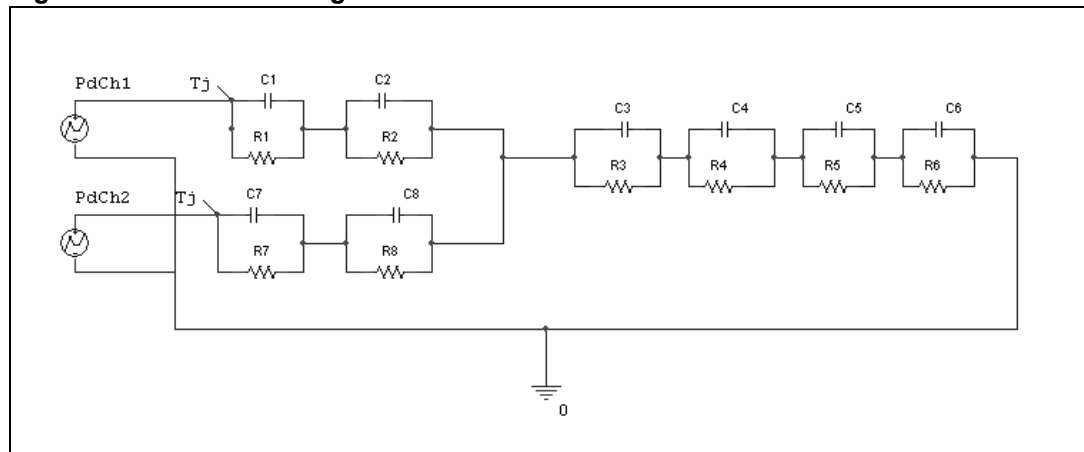


Equation 3: pulse calculation formula

$$Z_{TH\delta} = R_{TH} \cdot \delta + Z_{THtp}(1 - \delta)$$

where  $\delta = t_p/T$

Figure 35. Thermal fitting model of a double-channel HSD in PowerSSO-12<sup>(1)</sup>



1. The fitting model is a simplified thermal tool and is valid for transient evolutions where the embedded protections (power limitation or thermal cycling during thermal shutdown) are not triggered.

Table 14. Thermal parameters

Area/island (cm <sup>2</sup> )	Footprint	2	8
R1= R7 (°C/W)	1.2		
R2= R8 (°C/W)	6		
R3 (°C/W)	3		
R4 (°C/W)	8	8	7
R5 (°C/W)	22	15	10
R6 (°C/W)	26	20	15
C1= C7 (W.s/°C)	0.0008		
C2= C8 (W.s/°C)	0.0016		
C3 (W.s/°C)	0.0166		
C4 (W.s/°C)	0.2	0.1	0.1
C5 (W.s/°C)	0.27	0.8	1
C6 (W.s/°C)	3	6	9

## 5 Package and packing information

### 5.1 ECOPACK®

In order to meet environmental requirements, ST offers these devices in different grades of ECOPACK® packages, depending on their level of environmental compliance. ECOPACK® specifications, grade definitions and product status are available at: [www.st.com](http://www.st.com).

ECOPACK® is an ST trademark.

### 5.2 Package mechanical data

Figure 36. PowerSSO-12 package dimensions

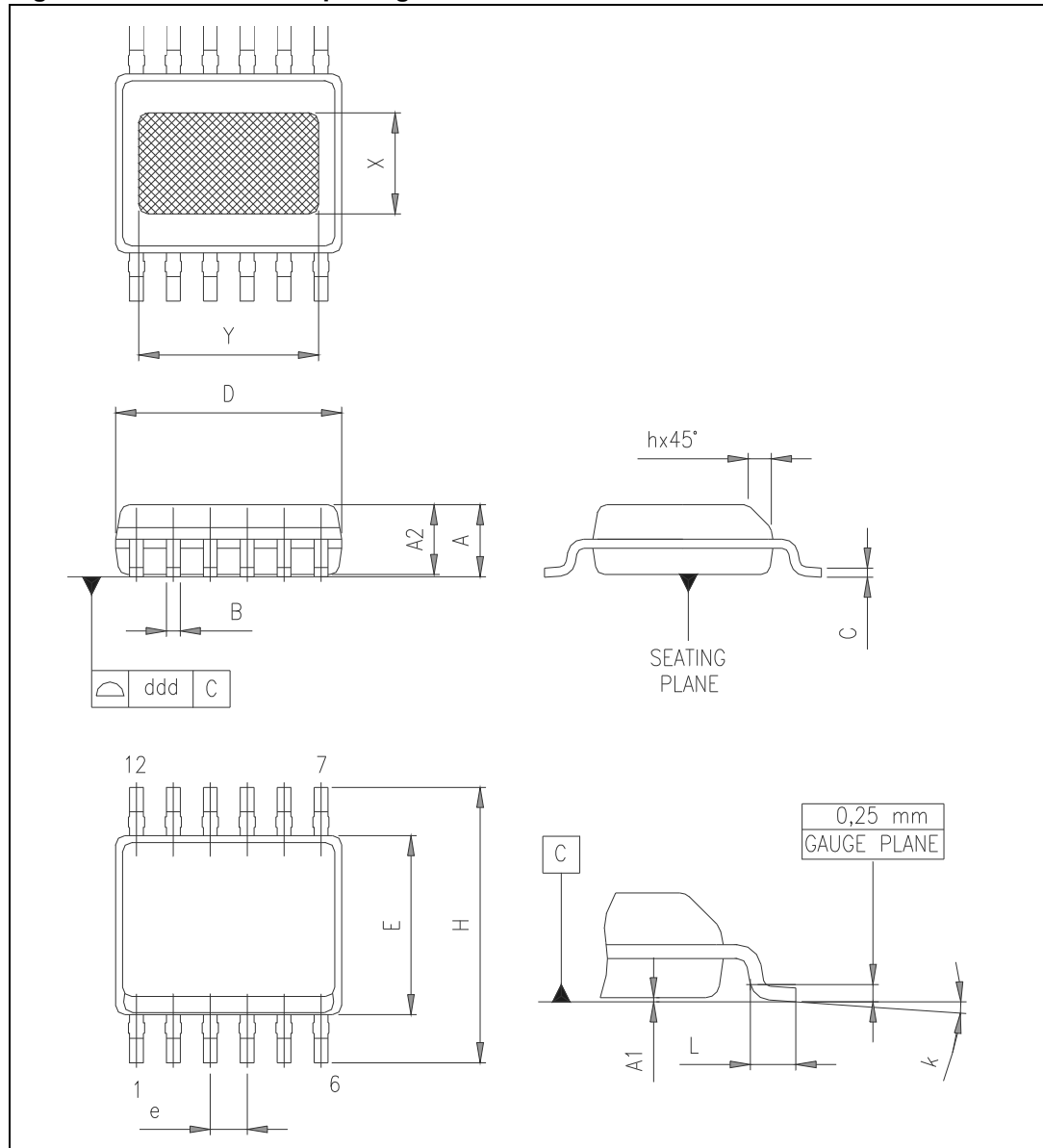


Table 15. PowerSSO-12 mechanical data

Symbol	Millimeters		
	Min.	Typ.	Max.
A	1.250		1.620
A1	0.000		0.100
A2	1.100		1.650
B	0.230		0.410
C	0.190		0.250
D	4.800		5.000
E	3.800		4.000
e		0.800	
H	5.800		6.200
h	0.250		0.500
L	0.400		1.270
k	0°		8°
X	2.200		2.800
Y	2.900		3.500
ddd			0.100

### 5.3 Packing information

Figure 37. PowerSSO-12 tube shipment (no suffix)

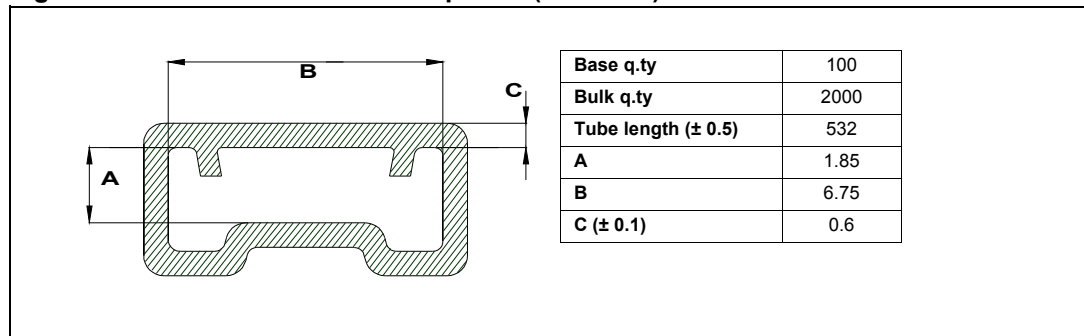
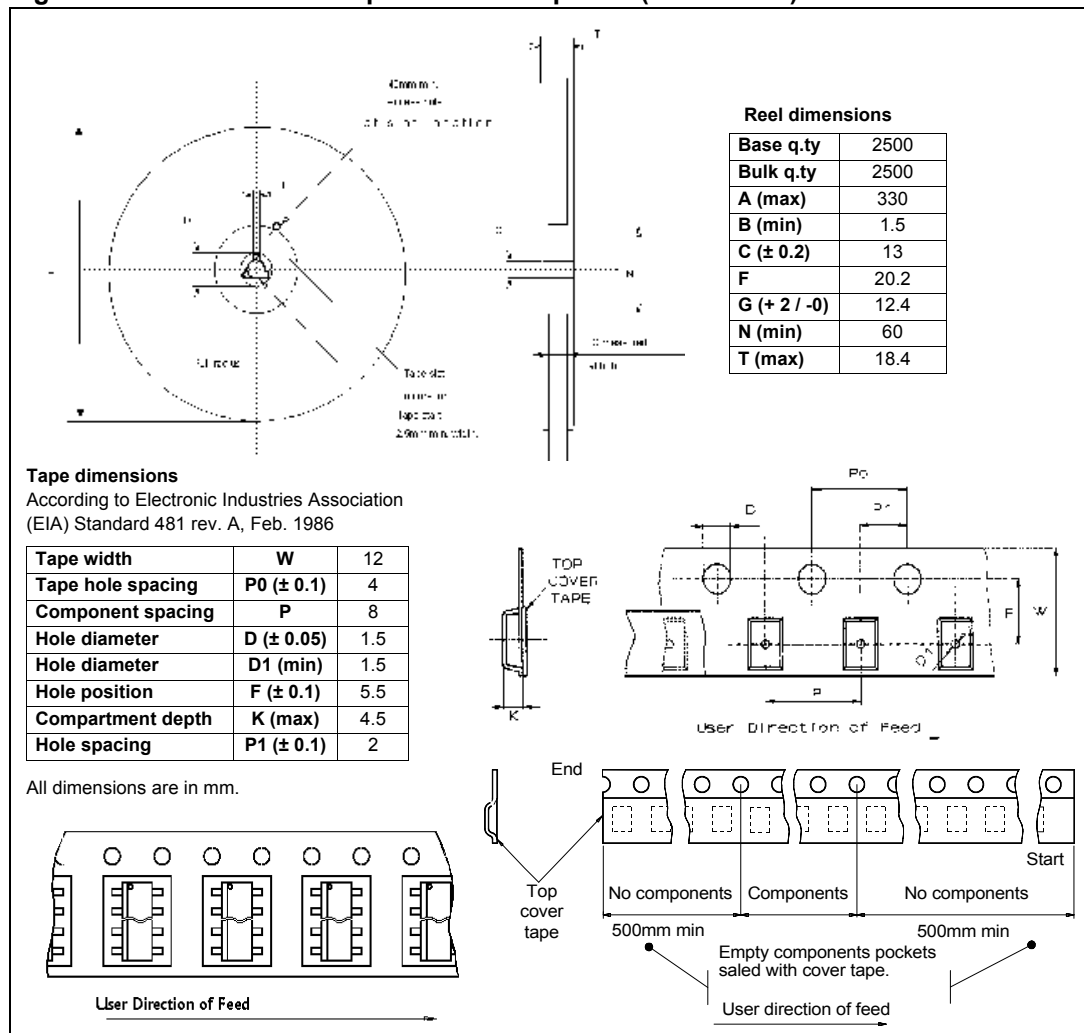


Figure 38. PowerSSO-12 tape and reel shipment (suffix "TR")



## 6 Order codes

Table 16. Device summary

Package	Order codes	
	Tube	Tape and reel
PowerSSO-12	VND5E160MJ-E	VND5E160MJTR-E



## 7 Revision history

**Table 17. Document revision history**

Date	Revision	Changes
08-Oct-2009	1	Initial release.
20-Sep-2013	2	Updated Disclaimer.

**Please Read Carefully:**

Information in this document is provided solely in connection with ST products. STMicroelectronics NV and its subsidiaries ("ST") reserve the right to make changes, corrections, modifications or improvements, to this document, and the products and services described herein at any time, without notice.

All ST products are sold pursuant to ST's terms and conditions of sale.

Purchasers are solely responsible for the choice, selection and use of the ST products and services described herein, and ST assumes no liability whatsoever relating to the choice, selection or use of the ST products and services described herein.

No license, express or implied, by estoppel or otherwise, to any intellectual property rights is granted under this document. If any part of this document refers to any third party products or services it shall not be deemed a license grant by ST for the use of such third party products or services, or any intellectual property contained therein or considered as a warranty covering the use in any manner whatsoever of such third party products or services or any intellectual property contained therein.

**UNLESS OTHERWISE SET FORTH IN ST'S TERMS AND CONDITIONS OF SALE ST DISCLAIMS ANY EXPRESS OR IMPLIED WARRANTY WITH RESPECT TO THE USE AND/OR SALE OF ST PRODUCTS INCLUDING WITHOUT LIMITATION IMPLIED WARRANTIES OF MERCHANTABILITY, FITNESS FOR A PARTICULAR PURPOSE (AND THEIR EQUIVALENTS UNDER THE LAWS OF ANY JURISDICTION), OR INFRINGEMENT OF ANY PATENT, COPYRIGHT OR OTHER INTELLECTUAL PROPERTY RIGHT.**

**ST PRODUCTS ARE NOT DESIGNED OR AUTHORIZED FOR USE IN: (A) SAFETY CRITICAL APPLICATIONS SUCH AS LIFE SUPPORTING, ACTIVE IMPLANTED DEVICES OR SYSTEMS WITH PRODUCT FUNCTIONAL SAFETY REQUIREMENTS; (B) AERONAUTIC APPLICATIONS; (C) AUTOMOTIVE APPLICATIONS OR ENVIRONMENTS, AND/OR (D) AEROSPACE APPLICATIONS OR ENVIRONMENTS. WHERE ST PRODUCTS ARE NOT DESIGNED FOR SUCH USE, THE PURCHASER SHALL USE PRODUCTS AT PURCHASER'S SOLE RISK, EVEN IF ST HAS BEEN INFORMED IN WRITING OF SUCH USAGE, UNLESS A PRODUCT IS EXPRESSLY DESIGNATED BY ST AS BEING INTENDED FOR "AUTOMOTIVE, AUTOMOTIVE SAFETY OR MEDICAL" INDUSTRY DOMAINS ACCORDING TO ST PRODUCT DESIGN SPECIFICATIONS. PRODUCTS FORMALLY ESCC, QML OR JAN QUALIFIED ARE DEEMED SUITABLE FOR USE IN AEROSPACE BY THE CORRESPONDING GOVERNMENTAL AGENCY.**

Resale of ST products with provisions different from the statements and/or technical features set forth in this document shall immediately void any warranty granted by ST for the ST product or service described herein and shall not create or extend in any manner whatsoever, any liability of ST.

ST and the ST logo are trademarks or registered trademarks of ST in various countries.

Information in this document supersedes and replaces all information previously supplied.

The ST logo is a registered trademark of STMicroelectronics. All other names are the property of their respective owners.

© 2013 STMicroelectronics - All rights reserved

STMicroelectronics group of companies

Australia - Belgium - Brazil - Canada - China - Czech Republic - Finland - France - Germany - Hong Kong - India - Israel - Italy - Japan - Malaysia - Malta - Morocco - Philippines - Singapore - Spain - Sweden - Switzerland - United Kingdom - United States of America

[www.st.com](http://www.st.com)