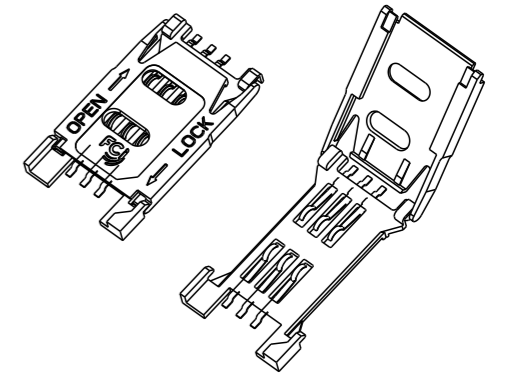
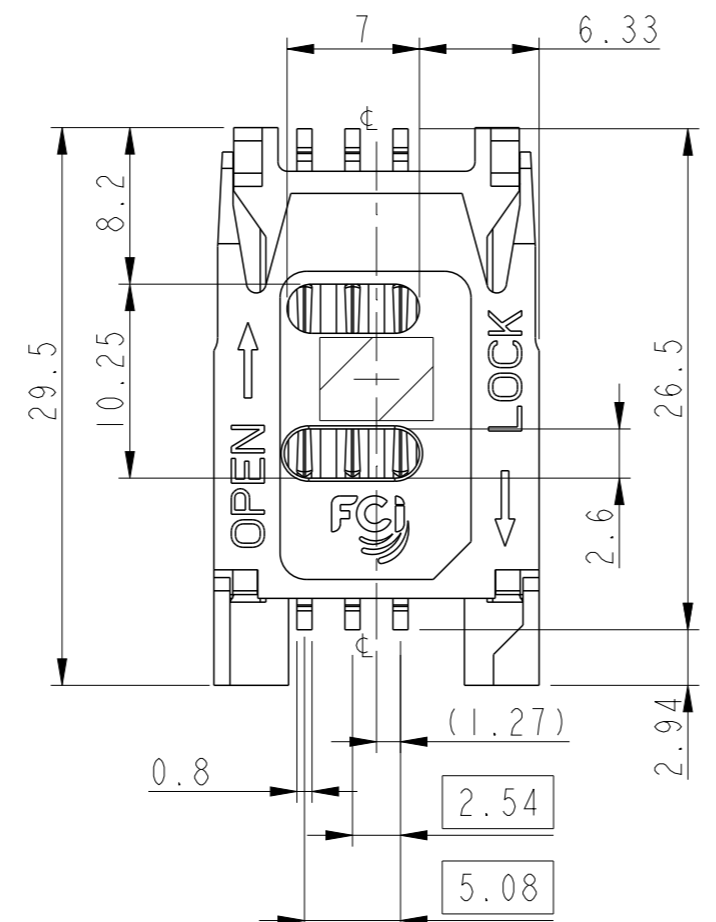
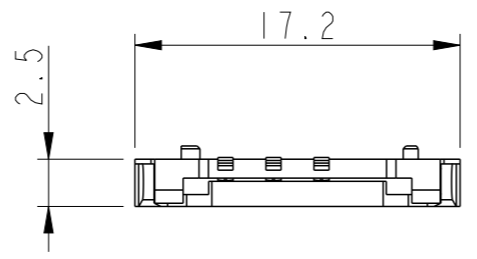
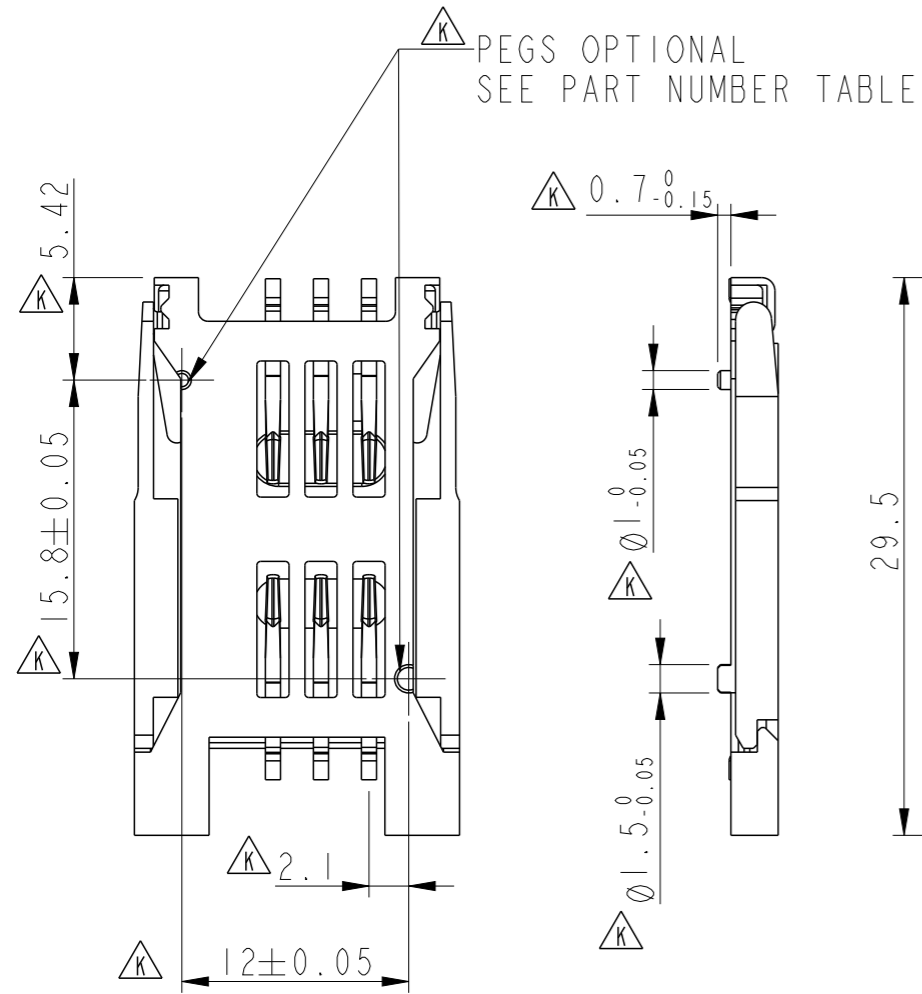




Copyright FCI.



SCALE 1:1



SCALE 5:2

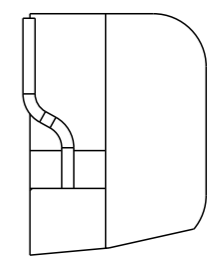
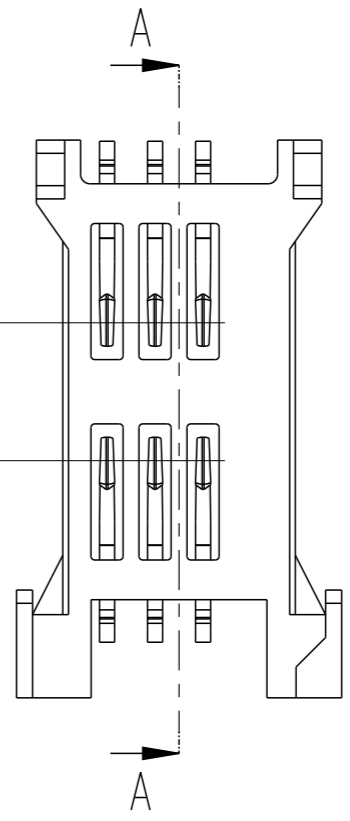
0.1

SEE DETAIL F

SECTION A-A

SCALE 5:2

SEE NOTE SHEET 2



DETAIL F  
SCALE 10:1

| General Tolerances |         |
|--------------------|---------|
| 0 to 10mm:         | ±0.1mm  |
| 10 to 25mm:        | ±0.15mm |
| 25 to 60mm:        | ±0.2mm  |
| 60 and more:       | ±0.3mm  |

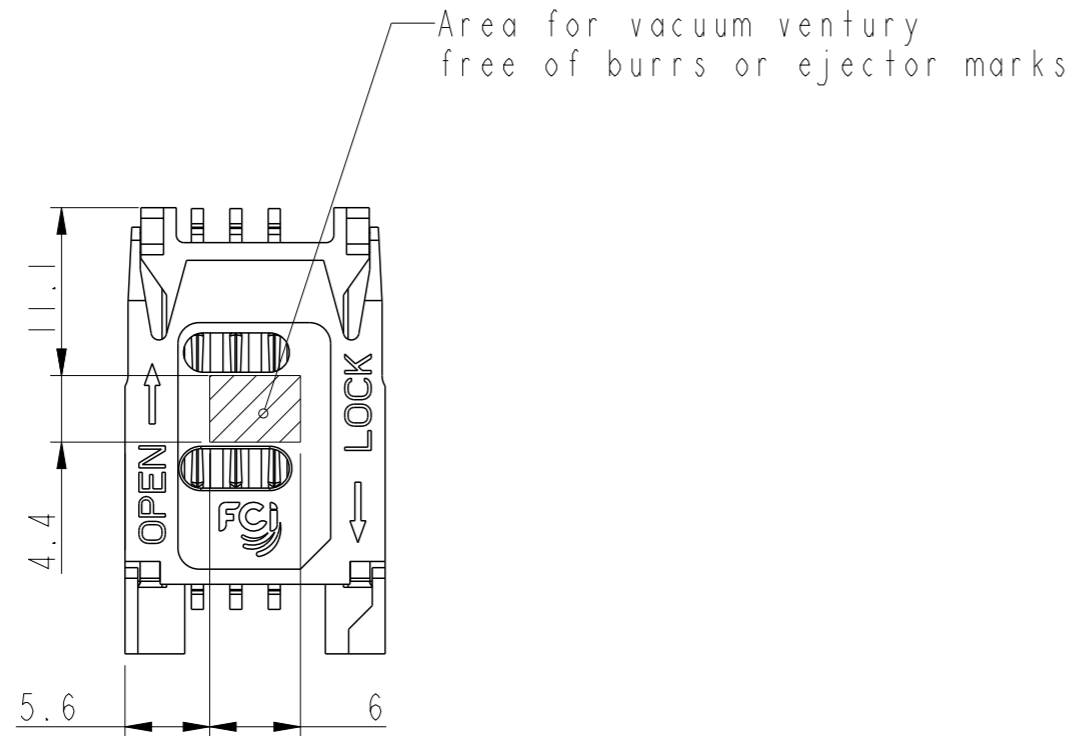
| PART NUMBER                    | DESCRIPTION        |
|--------------------------------|--------------------|
| 7111S2015X02LF                 | NO PEGS            |
| 7112S2015X02LF $\triangleleft$ | WITH POSITION PEGS |

|               |                            |
|---------------|----------------------------|
| spec ref      | --                         |
| tolerance std | ISO 406<br>ISO 1101        |
| surface       | ISO 1302                   |
| linear        | 0.X ±<br>0.XX ±<br>0.XXX ± |
| angular       | 0° ±°                      |

|      |               |            |
|------|---------------|------------|
| dr   | P-Mathew Nebu | 2011/05/09 |
| eng  | P-Mathew Nebu | 2015/04/10 |
| chr  | -             | -          |
| appr | K-Paul Biju   | 2015/04/13 |

|                |            |        |               |           |          |
|----------------|------------|--------|---------------|-----------|----------|
| projection     | mm         | size   | A3            | scale     | 5:2      |
| product family | MOBILE I/O | ecn no | ELX-I-20528-1 | rel level | Released |

|             |          |                            |                        |              |
|-------------|----------|----------------------------|------------------------|--------------|
| www.fci.com | cat. no. | see table                  | Product - Customer Drw | sheet 1 of 2 |
| FCI         | title    | SIM CARD READER WITH COVER | dwg no                 | VJW54355     |
|             | rev      | S20                        |                        | K            |



**NOTES:**

**A -MECHANICAL PROPERTIES:**

housing material: High Temp. Thermoplastic colour black, rated UL94V0

Contacts material: Copper Alloy

Contacts plating:

Contact area: Au over Ni / Equivalent GXT

Solder area: Matte Tin over Ni

Bare edge allowed.

Durability: 10000 mating cycles

Contacts force: 0.5 N MAX at maximum deflection

**B -ELECTRICAL PROPERTIES:**

Contact resistance: <100mΩ

Insulation resistance: >1000MΩ

Dielectrique withstanding voltage: >=1000Vrms

Current carrying capacity: min 10uA, MAX 1A

Voltage U5: 5V ±0.1V with R=560Ω

**C- ENVIRONMENT:**

Operation temperature range: -40°C to +85°C

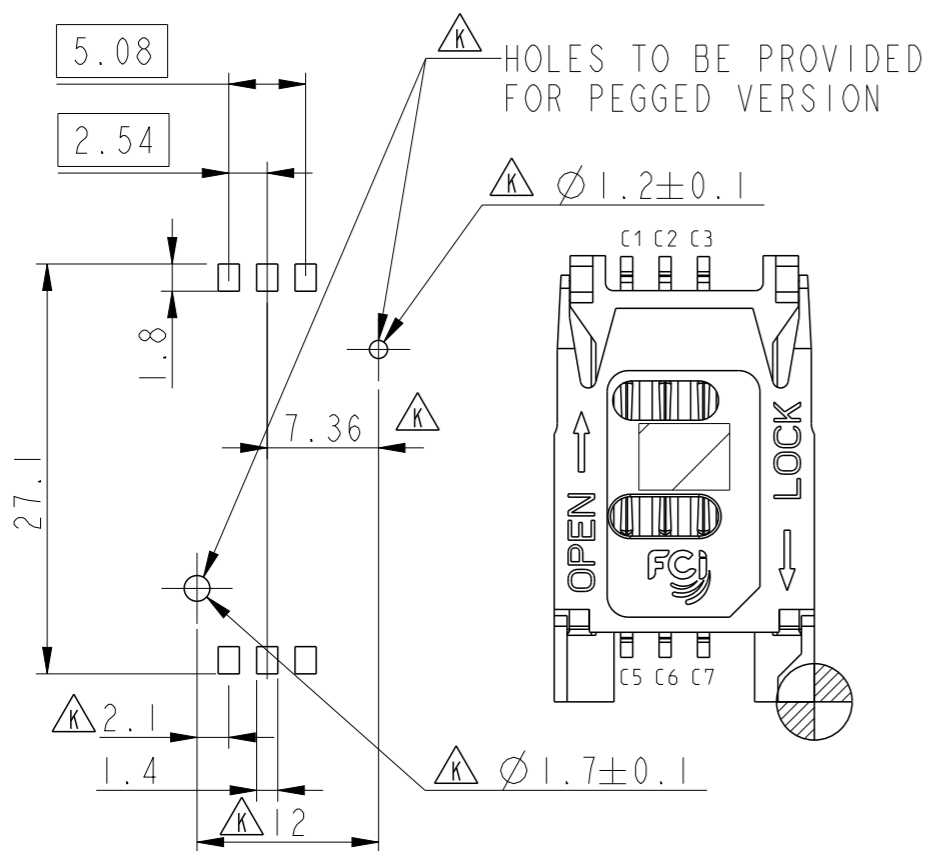
**D -PACKAGING:**

Tape and Reel

**E -APPLICABLE DOCUMENT:**

Standard: card standard ISO 7810 , ISO 7816 , GSM 11.11

**RECOMMENDED PCB LAYOUT**



**LEAD FREE VERSION:**

"This product meets European Union Directives and other country regulations as described in GS-47-0004"

The housing will withstand exposure to 260°C peak temperature for 10seconds in a convection reflow oven.

| General Tolerances |         |
|--------------------|---------|
| 0 to 10mm:         | ±0.1mm  |
| 10 to 25mm:        | ±0.15mm |
| 25 to 60mm:        | ±0.2mm  |
| 60 and more:       | ±0.3mm  |

|                                       |                     |      |               |            |                |            |           |                        |              |     |   |
|---------------------------------------|---------------------|------|---------------|------------|----------------|------------|-----------|------------------------|--------------|-----|---|
| spec ref                              | --                  | dr   | P-Mathew Nebu | 2011/05/09 | projection     | mm         | size      | A3                     | scale        | 2:1 |   |
| tolerance std                         | ISO 406<br>ISO 1101 | eng  | P-Mathew Nebu | 2015/04/10 |                |            | ecn no    | ELX-I-20528-1          |              |     |   |
| TOLERANCES UNLESS OTHERWISE SPECIFIED |                     | chr  | -             | -          |                |            | rel level | Released               |              |     |   |
| surface                               | ISO 1302            | appr | K-Paul Biju   | 2015/04/13 | product family | MOBILE I/O | dwg no    | VJW54355               |              | rev | K |
|                                       | linear              |      |               |            | www.fci.com    | cat. no.   | see table | Product - Customer Drw | sheet 2 of 2 |     |   |
|                                       | angular             |      |               |            |                |            |           |                        |              |     |   |



Copyright FCI.