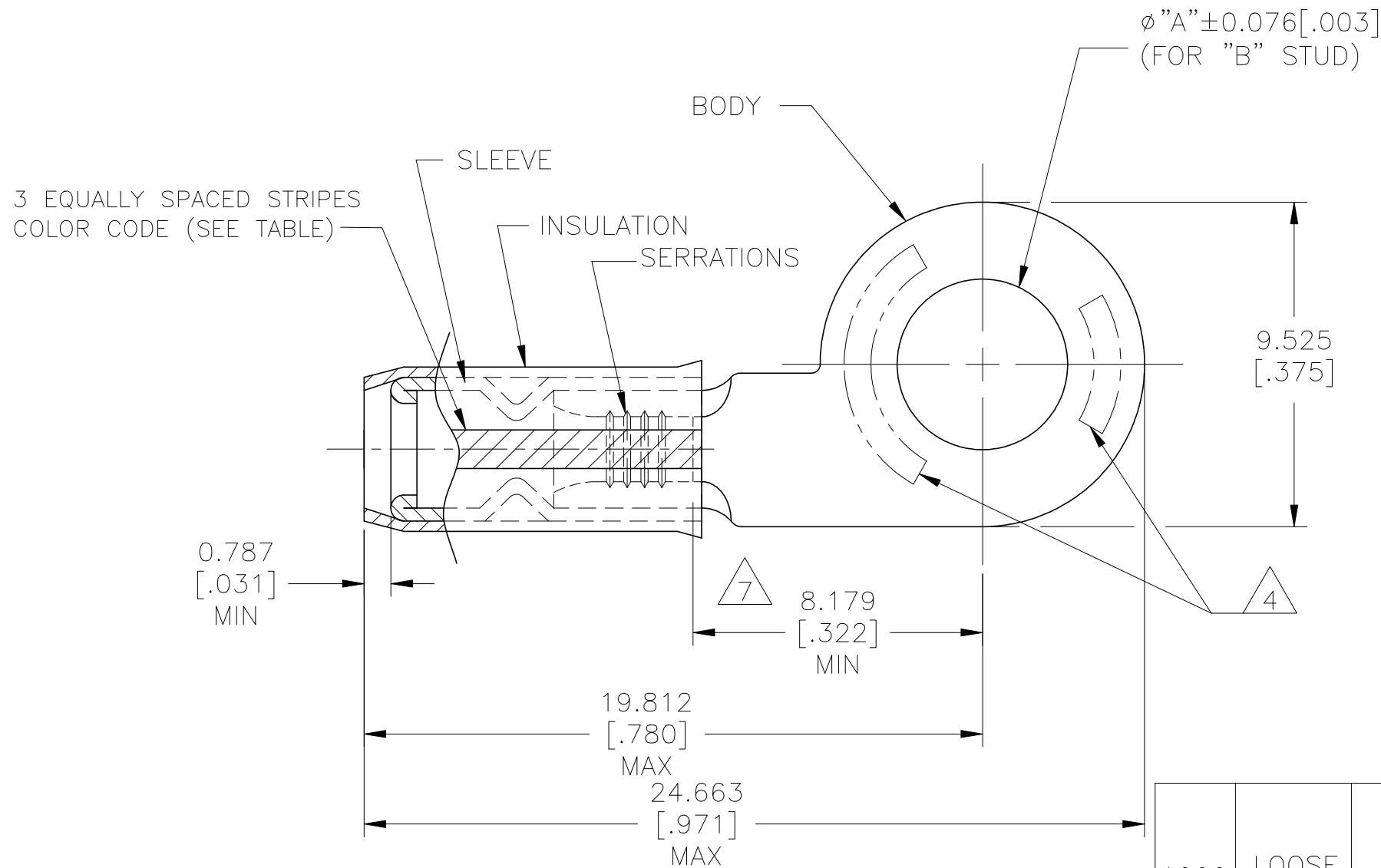


P	LTR	DESCRIPTION	DATE	DWN	APVD
H		REVISED PER ECR-23-175984	30MAY2023	BB	DSC



- 1 NOTE DELETED.
- 2 BODY MATERIAL THICKNESS:
0.787±0.051[.031±.002]
- 3 WIRE INSULATION DIAMETER: SEE TABLE
- 4 STAMP "AMP []" APPROX AS SHOWN, SEE TABLE
- 5 MATERIAL:
BODY & SLEEVE – COPPER PER ASTM B152
INSULATION – NYLON
- 6 FINISH:
BODY & SLEEVE – TIN PLATE 0.00254[.000100]
MIN EXT THK PER ASTM B545
INSULATION COLOR – RED
- 7 APPLIES FROM EDGE OF METAL WIRE BARREL TO CENTER OF STUD HOLE

1000	LOOSE PIECE	22	GREEN	3.683 [.145]	M3.5 [#6]	∅0.965[∅.038] ∅2.794[∅.110]	22* 1/2	52884-4
		20	RED	5.004 [.197]	#10	∅1.168[∅.046]	20* 1	52884-3
				3.683 [.145]	M3.5 [#6]	∅2.794[∅.110]		52884-2
QTY	PACKAGE TYPE	WIRE SIZE	STRIPE COLOR	"A"	"B"	WIRE INSULATION DIAMETER	4 STAMPING	PART NO

CUSTOMER SERVICE SYSTEMS		MAX RECOMMENDED OPERATING TEMPERATURE: 105°C[221°F] MAX		THIS DRAWING IS A CONTROLLED DOCUMENT.		DWN jr_ruth 08JUN09		TE Connectivity NAME: TERMINAL, RING TONGUE-OFFSET, IR, PIDG, WIRE SIZE: 22 & 20 AWG	
FOR ADDITIONAL PRODUCT INFORMATION OR COPIES OF DRAWINGS AND TECHNICAL DOCUMENTS		PRODUCT INFORMATION CENTER 1-800-522-6752		DIMENSIONS: mm [INCHES]		CHK TOM MICHELUTTI 08JUN09			
FOR APPLICATION TOOLING INFORMATION		TOOLING ASSISTANCE CENTER 1-800-722-1111		TOLERANCES UNLESS OTHERWISE SPECIFIED: 0 PLC ± - 1 PLC ± - 2 PLC ± - 3 PLC ± 0.127[.005] 4 PLC ± - ANGLES ± -		APVD TOM MICHELUTTI 08JUN09		RESTRICTED TO	
FOR ORDER ENTRY		1-800-526-5142		MATERIAL 5		FINISH 6		APPLICATION SPEC 114-2157	
CUSTOMER DRAWING						WEIGHT		SIZE A3 CAGE CODE 00779 DRAWING NO C-52284	
						SCALE NTS		SHEET 1 OF 1 REV H	