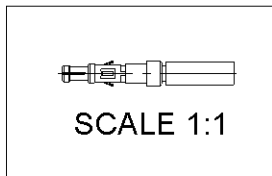
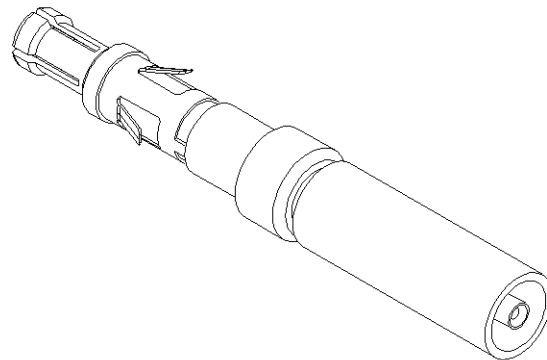
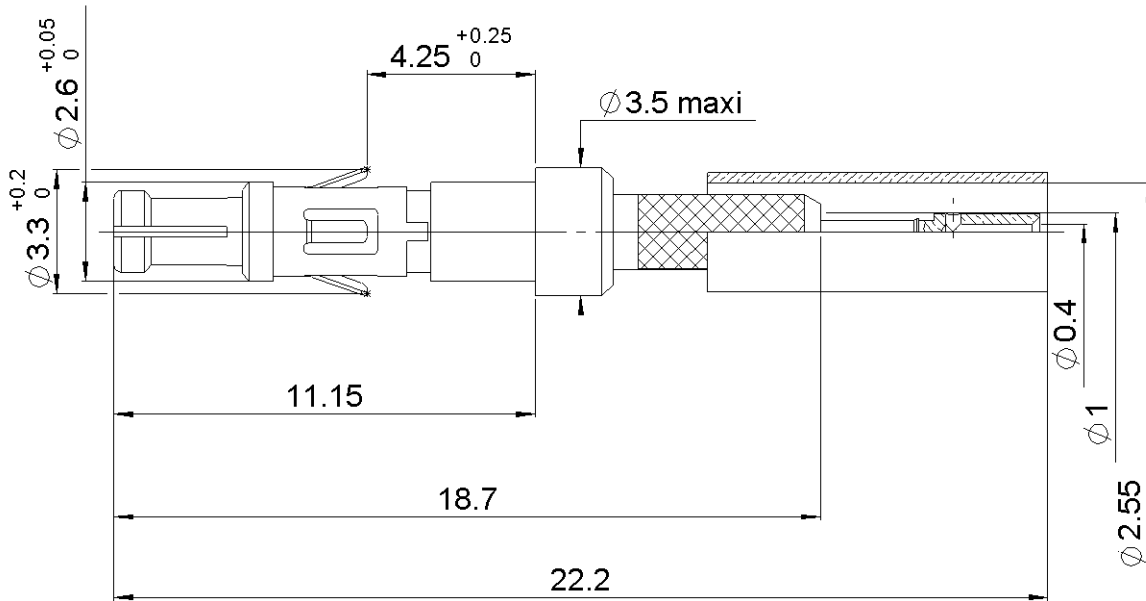
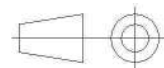


PAGE 1/2	ISSUE 1447B	SERIES MCC2	PART NUMBER R199001203
----------	-------------	-------------	------------------------



All dimensions are in mm.



COMPONENTS	MATERIALS	PLATING (µm)
Body	<b>BRONZE</b>	<b>NPGR</b>
Center contact	<b>BRASS</b>	<b>NPGR</b>
Outer contact	-	-
Insulator	<b>PTFE</b>	
Gasket	-	
Others parts	<b>BRASS</b>	<b>GOLD OVER NICKEL</b>
-	-	-
-	-	-

PAGE <b>2/2</b>	ISSUE <b>1447B</b>	SERIES <b>MCC2</b>	PART NUMBER <b>R199001203</b>
-----------------	--------------------	--------------------	-------------------------------

**PACKAGING**

Standard <b>100</b>	Unit <b>Contact us</b>	Other <b>Contact us</b>
------------------------	---------------------------	----------------------------

**ELECTRICAL CHARACTERISTICS**

Impedance	<b>50</b>	Ω
Frequency	<b>0-6</b>	GHz
VSWR	<b>1.12* + 0,0000</b>	x F(GHz) Maxi
Insertion loss	<b>0.2</b>	√F(GHz) dB Maxi
RF leakage	- ( <b>AD</b> )	- F(GHz)) dB Maxi
Voltage rating	<b>500</b>	Veff Maxi
Dielectric withstanding voltage	<b>750</b>	Veff mini
Insulation resistance	<b>5000</b>	MΩ mini

**MECHANICAL CHARACTERISTICS**

Center contact retention		
Axial force – Mating End	<b>NA</b>	N mini
Axial force – Opposite end	<b>NA</b>	N mini
Torque	<b>NA</b>	N.cm mini
Recommended torque		
Mating	<b>NA</b>	N.cm
Panel nut	<b>NA</b>	N.cm
Clamp nut	<b>NA</b>	N.cm
A/F clamp nut	<b>0,0000</b>	mm
Mating life	<b>500</b>	Cycles mini
Weight	<b>0,6600</b>	g

**ENVIRONMENTAL**

Operating temperature	<b>-25/+125</b>	°C
Hermetic seal	<b>NA</b>	Atm.cm3/s
Panel leakage	<b>NA</b>	

**SPECIFICATION**

**CABLE ASSEMBLY**

Stripping	a	b	c	d	e	f
mm	<b>2,5</b>	<b>6</b>	<b>11</b>	<b>0</b>	<b>8,5</b>	<b>0</b>

Assembly instruction: **Crimp 02**

Recommended cable(s)  
**RG 196**  
**RG 178 LC**  
**RG 178**  
**KX 21**

Characteristics indicated on this data sheet are those that can be achieved with the highest performance cable. Intrinsic limitations of the cable may diminish the performance of the assembly

Cable retention

- pull off	<b>32</b>	N mini
- torque	<b>NA</b>	N.cm

**TOOLING**

Part Number	Description	Hexagon
R282281000	CRIMPING TOOL	2x4 (pos. 4)
R282967030	POSITIONER FOR TOOL R282 281 000	
R282211000	CRIMPING TOOL	2.67
R282293000	CRIMPING TOOL M22520/5-01	
R282235003	CRIMPING DIES M22520/5-03	2.67

**OTHER CHARACTERISTICS**

-\***1.12 maxi between 0 to 3 GHz**