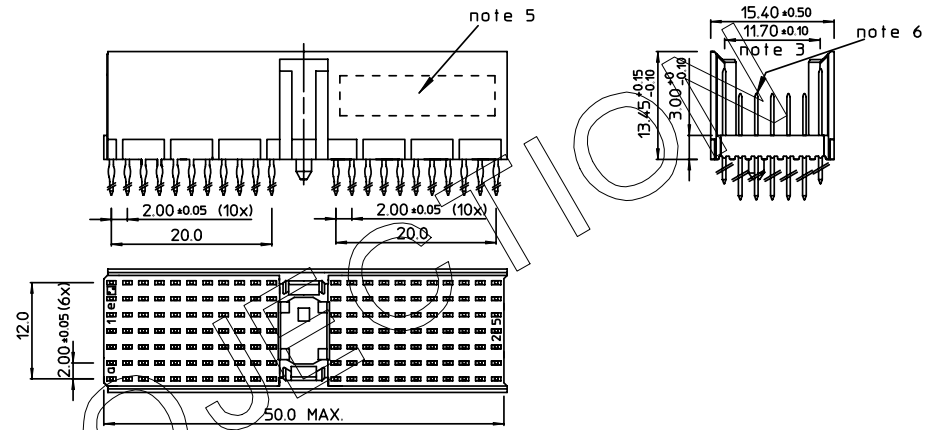


REV.	DATE	DESCRIPTION	BY	C'K'D'
A	2001-09-14	CONVERSION REVISION 02	KN	
B	2002-05-28	EC B20086	MF	
C	2005-10-05	105-0184	ALEX B	BKP
D	2006-08-09	106-0145	ALEX B	BKP

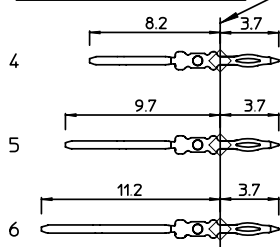
LOADING PATTERN MATING SIDE

f	6	6	6	6	6	6	6	6	6	6					6	6	6	6	6	6	6	6	6	6	6	6	6	6
e	5	5	5	5	5	5	5	5	5	5					5	5	5	5	5	5	5	5	5	5	5	5	5	5
d	5	5	6	5	5	5	6	5	6	5	4				6	5	4	5	6	5	6	5	6	5	5	5	5	5
c	5	6	5	6	5	5	5	5	5	5					5	5	5	5	5	6	5	6	5	5	5	5	5	5
b	5	5	5	5	5	5	5	5	5	5					5	5	4	5	5	5	5	5	5	5	5	5	5	5
a	5	5	5	5	5	5	5	5	5	5					5	5	5	5	5	5	5	5	5	5	5	5	5	5
Z	0	0	0	0	0	0	0	0	0	0					0	0	0	0	0	0	0	0	0	0	0	0	0	0
P	0	0	0	0	0	0	0	0	0	0					0	0	0	0	0	0	0	0	0	0	0	0	0	0
OP	1																											
	1																											

LOADED CONNECTOR ASSEMBLY (FOR EXAMPLE)

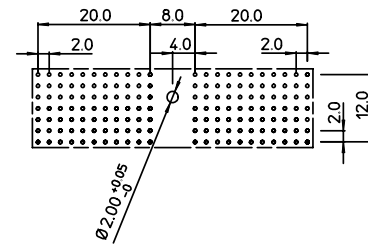


CONTACT OVERVIEW



SEATING PLANE FOR CONNECTOR

LAY-OUT P.C.B.-HOLE



LEAD FREE INDICATOR : LF = LEAD FREE (DIGIT 15 & 16)

HM2P07PDL235

PLATING CODE (DIGIT 13 AND 14) (REF DWG No. BS.C ,201844,003)

NOTES:

- 1. THIS PRODUCT IS CSA APPROVED.
- 2. THIS PRODUCT IS UL RECOGNIZED.
- 3. MEASURED AT THE BOTTOM.
- 4. MATERIAL CONTACT: PHOSPHORBRONZE
HOUSING: CREAM WHITE GLASSFILLED POLYESTER UL-94V0
- 5. CONNECTOR PRINTED WITH P/N AND DATE CODE.
- 6. FOR ACTUAL CONTACT LOADINGS, SEE LOADING PATTERN MATING SIDE.
- 7. SHAPE OF CONNECTOR HOUSING CAN ALTER DEPENDING ON PRODUCTION LOCATION.
- 8. THE PRODUCT (LF) MEETS EUROPEAN UNION DIRECTIVES AND OTHER COUNTRY REGULATIONS AS DESCRIBED IN GS-22-008
- 9. FOR RECOMMENDED PTH DIMENSIONS REFER DRAWING : BS.A ,201572,001

EUROPEAN PRO

1DEC ±0.2	APPR.	DATE	SIGN.	LOADING PATTERN OVERVIEW		
2DEC ±0.1	DRAFT	2000-07-27	M.Fret	CAT. No. HM2P07PDL235----		
ANGLES ±1°	CHECKED					
WE RESERVE THE RIGHT TO CHANGE DIMENSIONS OR REQUIREMENTS WITHOUT PRIOR NOTICE.	PRD. MGR.				SCALE	
	PR.ENG.MGR.				www.fciconnect.com	
	PR.MGT.MGR.					
ALL DIMENSIONS IN MM	REFERENCES			BS.C ,202788 ,028		
				D		

THIS IS OUR EXCLUSIVE PROPERTY. IT IS NOT TO BE COPIED, REPRINTED OR DISCLOSED TO A THIRD PARTY, NOR USED FOR MANUFACTURING WITHOUT OUR WRITTEN CONSENT, AND HAS TO BE RETURNED TO US IN CASE OF NO USAGE

DIT IS ONZE EIGENDOM EN MAG NOCH NAGEMAKT, HERDRUKT, OVERGEMAKT AAN DERDEN, NOCH VOOR FABRIKATIE GEBRUIKT WORDEN, ZONDER ONZE SCHRIFTELIJKE TOELATING. BIJ NIET GEBRUIK IS TERUGZENDING VERPLICHT.