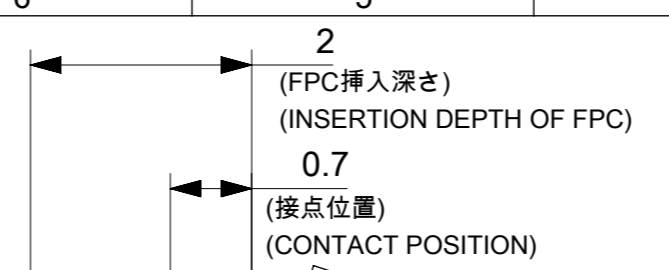
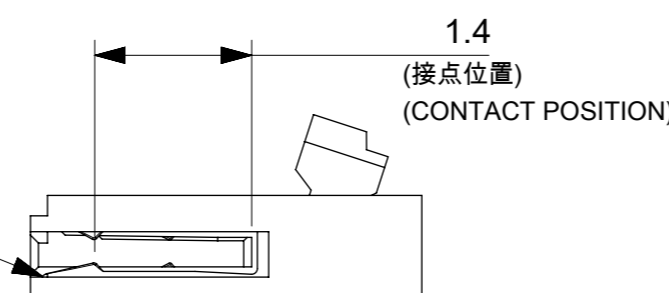


アクチュエータ
ACTUATOR
ハウジング
HOUSING
奇数極端子
ODD TERMINAL

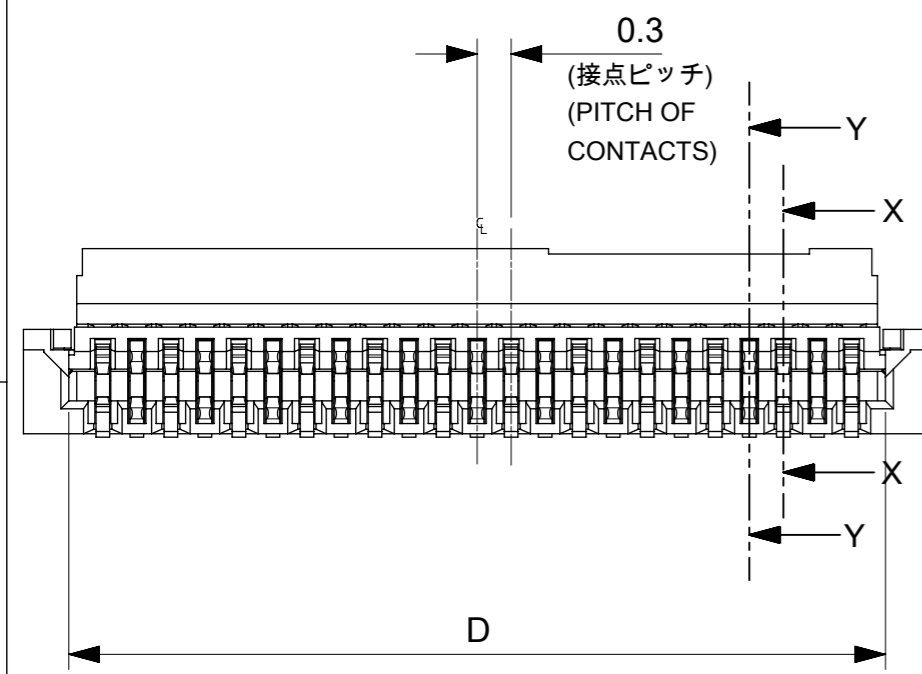


SECTION X-X

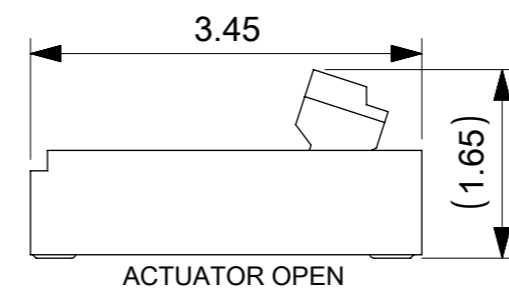


SECTION Y-Y

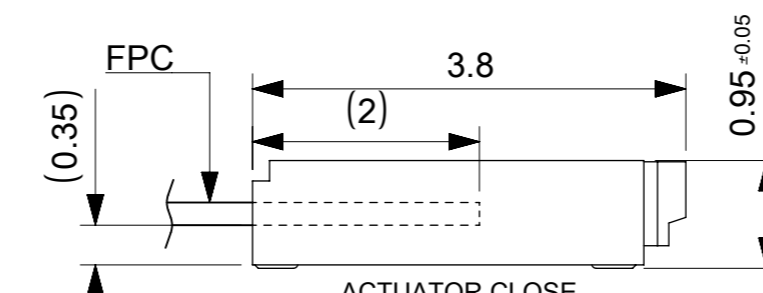
偶数極端子
EVEN TERMINAL



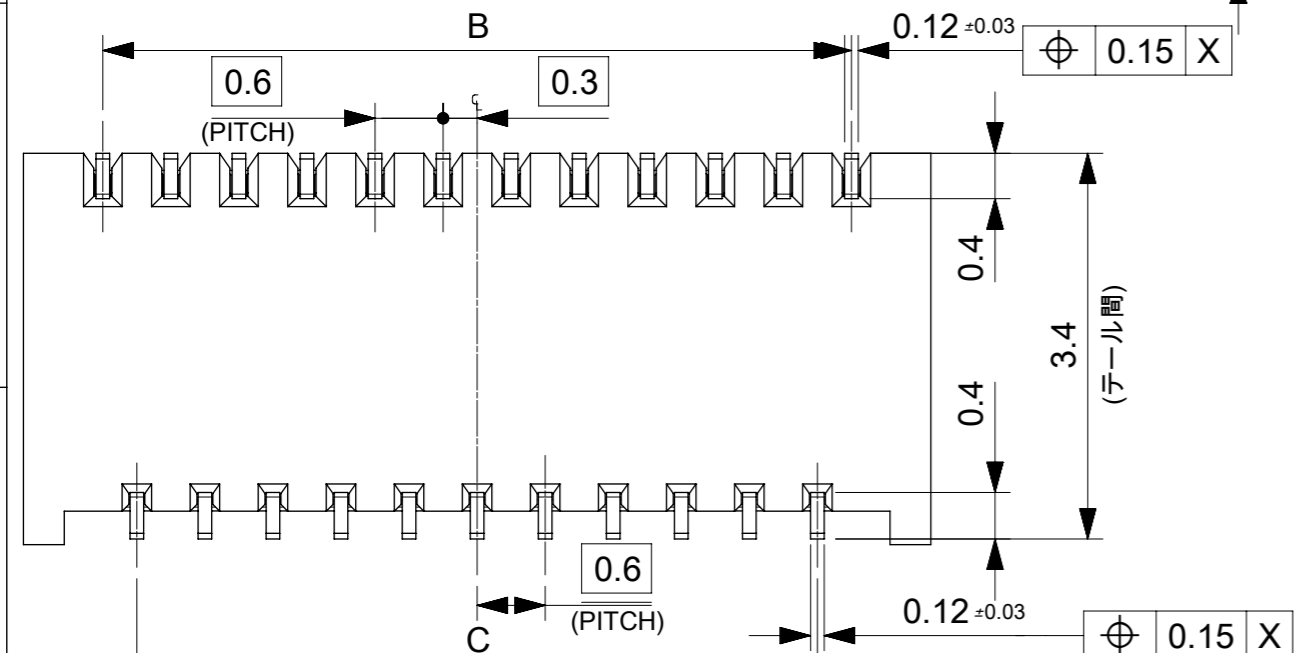
0.3
(接点ピッチ)
(PITCH OF CONTACTS)



ACTUATOR OPEN



ACTUATOR CLOSE



0.6
(PITCH)

B

0.12 ±0.03

⌀ 0.15 X

0.4

0.4

3.4
(テール間)

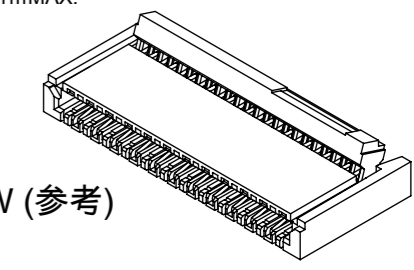
0.6
(PITCH)

0.12 ±0.03

⌀ 0.15 X

注記 NOTES

1. 使用材料 MATERIALS
ハウジング :液晶ポリマー(LCP)、ガラス充填、UL94 V-0、ナチュラル(白色系)
アクチュエータ :ポリアミド(PA)、ガラス充填、UL94、HB、黒色
奇数端子 :リン青銅 t=0.12mm
偶数端子 :リン青銅 t=0.12mm
HOUSING :LIQUID CRYSTAL POLYMER(LCP)、GLASS FILLED、UL94、V-0、NATURAL(WHITE)
ACTUATOR :POLYIMIDE(PA)、GLASS FILLED、UL94、HB、BLACK
ODD TERMINAL :PHOSPHOR BRONZE t=0.12mm
EVEN TERMINAL :PHOSPHOR BRONZE t=0.12mm
2. メッキ仕様 PLATING
端子 TERMINAL
テール部 :金メッキ
接点部 :金メッキ 0.1μm以上
下地 :ニッケルメッキ 1.0μm以上
TAIL AREA: Gold PLATING
CONTACT AREA: Gold PLATING 0.1μm MINIMUM
UNDER PLATING: Nickel PLATING 1.0μm MINIMUM
3. 端子の平坦度は0.1mm以下とする
COPLANALITY OF SOLDER TAILS: 0.1mm MAX.
4. ELV及びRoHS適合品
ELV AND RoHS COMPLIANT

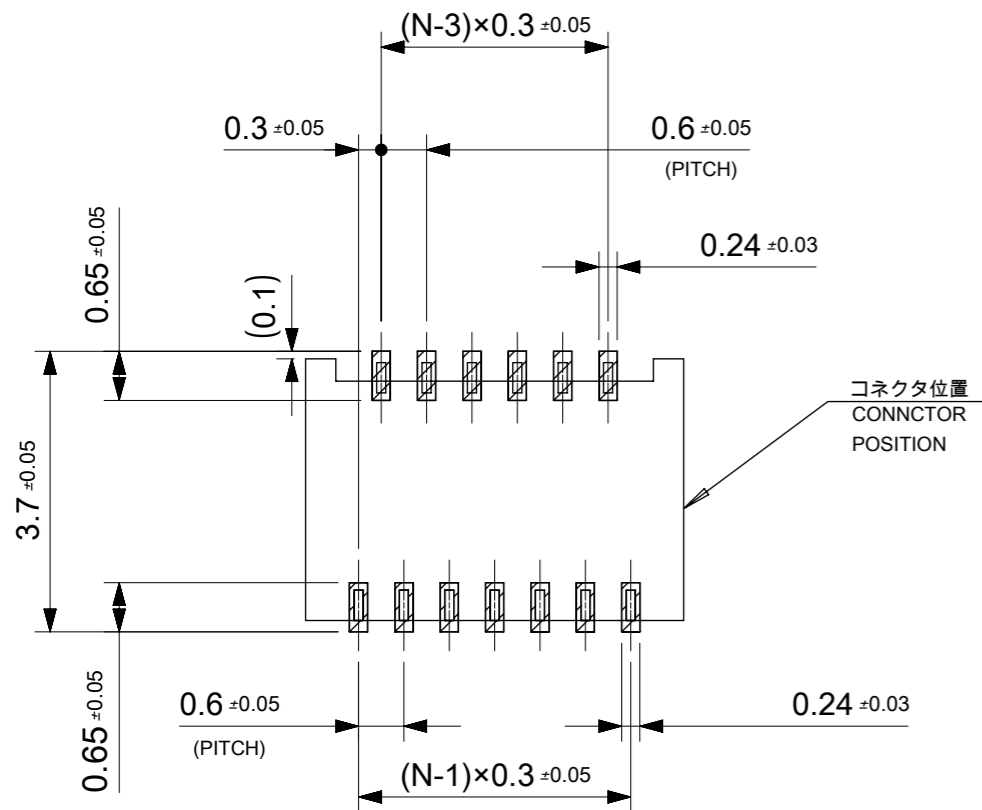


ISO VIEW (参考)

18.6	17.4	18.0	19.4	504740-6100	61
15.6	14.4	15.0	16.4	504740-5100	51
13.8	12.6	13.2	14.6	504740-4500	45
12.6	11.4	12.0	13.4	504740-4100	41
12.0	10.8	11.4	12.8	504740-3900	39
11.4	10.2	10.8	12.2	504740-3700	37
10.2	9.0	9.6	11.0	504740-3300	33
7.8	6.6	7.2	8.6	504740-2500	25
7.2	6.0	6.6	8.0	504740-2300	23
6.0	4.8	5.4	6.8	504740-1900	19
3.6	2.4	3.0	4.4	504740-1100	11
D	C	B	A	EMBOSSED TAPE	CIRCUITS
				ORDER NO. オーダー番号	

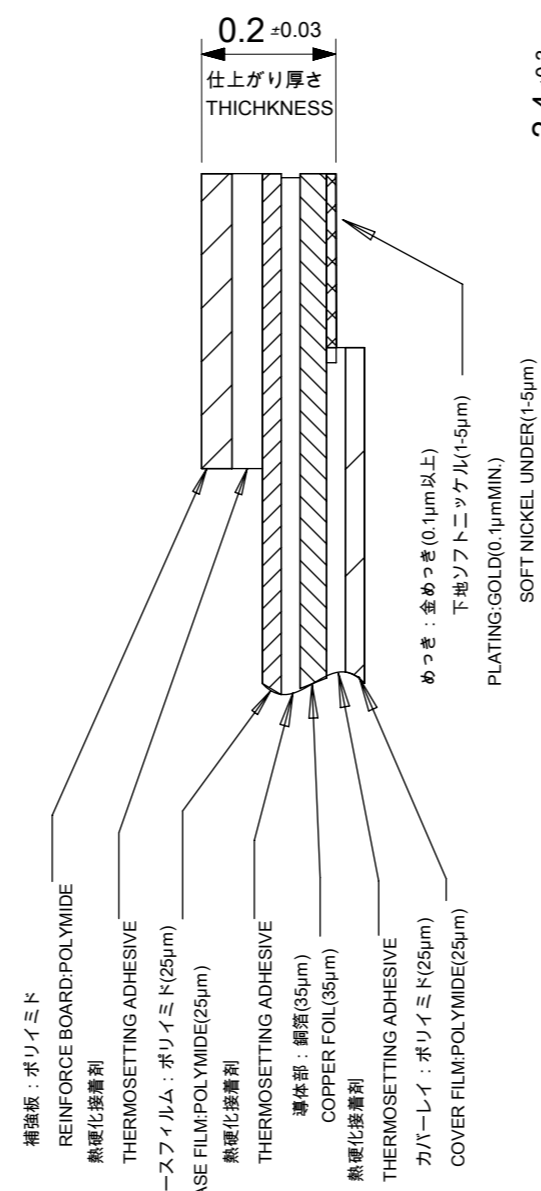
CONNECTOR SERIES NO. 504740-**09

THIS DRAWING CONTAINS INFORMATION THAT IS PROPRIETARY TO MOLEX ELECTRONIC TECHNOLOGIES, LLC AND SHOULD NOT BE USED WITHOUT WRITTEN PERMISSION		CURRENT REV DESC:		molex	
DIMENSION UNITS	SCALE				
mm	10:1			0.3 FPC CONN. BF H=0.95 HOUSING ASSY	
GENERAL TOLERANCES (UNLESS SPECIFIED)				PRODUCT CUSTOMER DRAWING	
ANGULAR TOL	± 1.0 °			DOCUMENT NUMBER	
4 PLACES	± 0.03	EC NO: 646888		5047401000	
3 PLACES	± 0.03	DRWN: TNAKAGAWA01		DOC TYPE	
2 PLACES	± 0.05	CHK'D: YMATSUMOTO		PSD	
1 PLACE	± 0.1	APPR: SHOSHIKAWA		000	
0 PLACES	± 0.2	INITIAL REVISION:		C	
DRAFT WHERE APPLICABLE MUST REMAIN WITHIN DIMENSIONS		THIRD ANGLE PROJECTION	DRAWING	SERIES	MATERIAL NUMBER
			A3-SIZE	504740	CUSTOMER
					GENERAL
					SHEET NUMBER
					1 OF 2

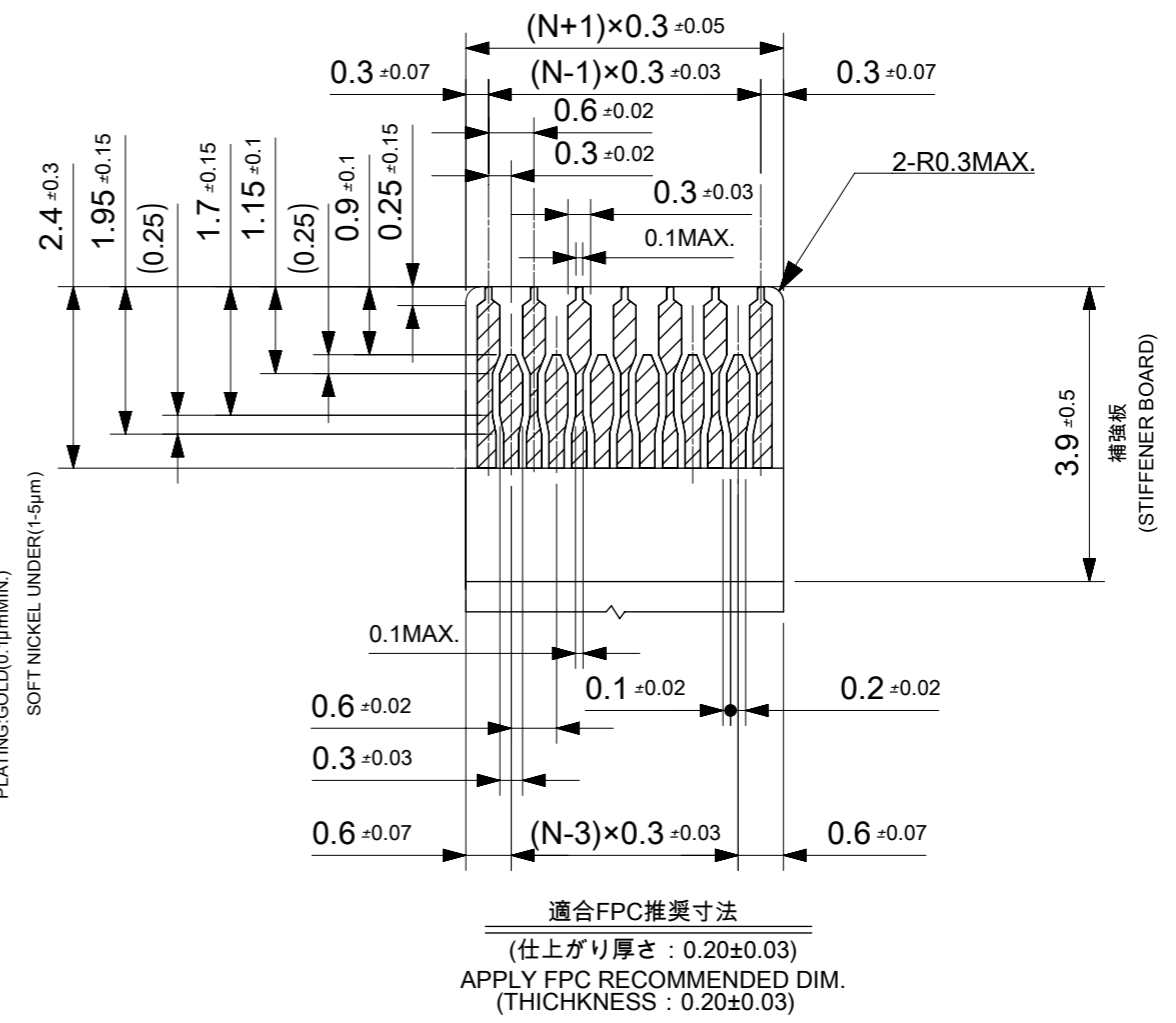


参照基板レイアウト(マウント面)
P.W. BOARD PATTERN
DIM.(REF)

推奨メタルマスク厚さ : 0.1mm
RECOMMENDED METAL MASK THICKNESS : 0.1mm
推奨開口率 : 80%
APERTURE RATE : 80%



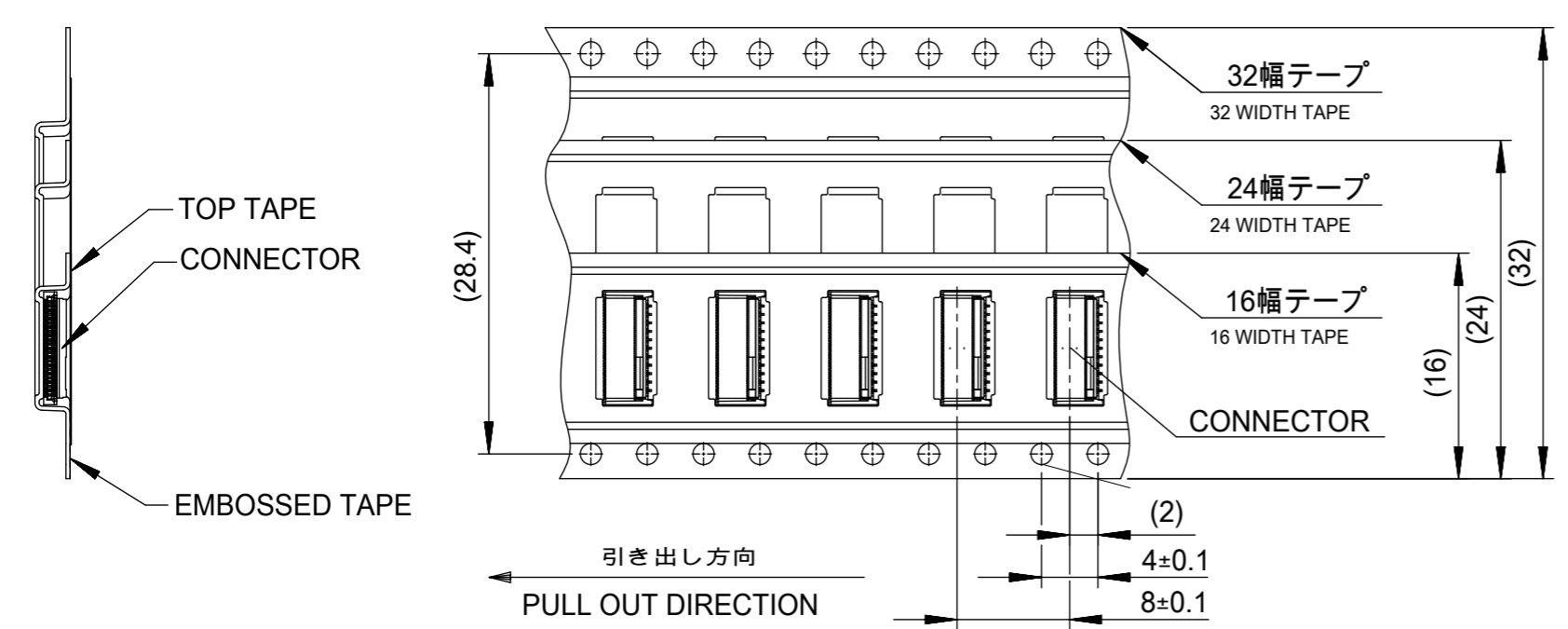
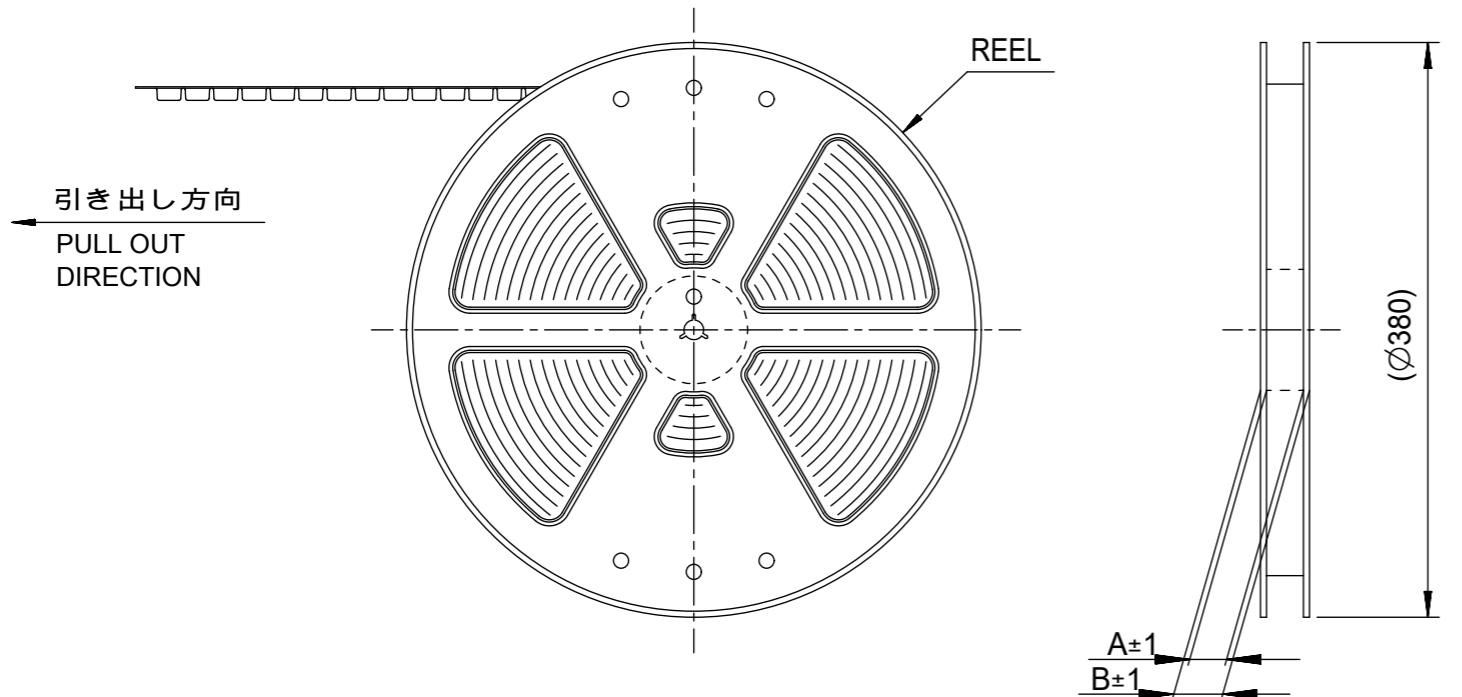
FPC構成推奨仕様
STRUCTURE OF FPC



FPCについて (ABOUT FPC)
抜き方向は、導体側から補強版側を推奨致します。
補強板材質はポリイミド、接着剤は熱硬化接着剤を推奨します。
尚、接着剤の接点部への付着は導通不良の原因になりますので、染み出しが無い様、お願い致します。
RECOMMENDED PUNCHER DIRECTION:
FROM CONDUCTOR SIDE TO STIFFENER BOARD SIDE.
RECOMMENDED MATERIAL:
STIFFENER BOARD: POLYIMIDE
BONDING AGENT: THERMOSETTING AGENT
PLEASE PUT APPROPRIATE AMOUNT OF ADHESIVE ON ADHEREND
BECAUSE THERE IS A POSSIBILITY THAT
THE EXTRA ADHESIVE CAUSES THE DEFECT IN ELECTRICAL CONTINUITY.

※1 補強板の長さが図面通りに確保できない場合は、カバーレイと補強板のオーバーラップ寸法を0.5mm以上としてください。
WHEN STIFFNER BOARD DIMENSION CAN NOT SECURE AS DRAWING, PLEASE GIVE THE OVERLAP SIZE OF COVER FILM AND STIFFNER BOARD AS 0.5mm MINIMUM.

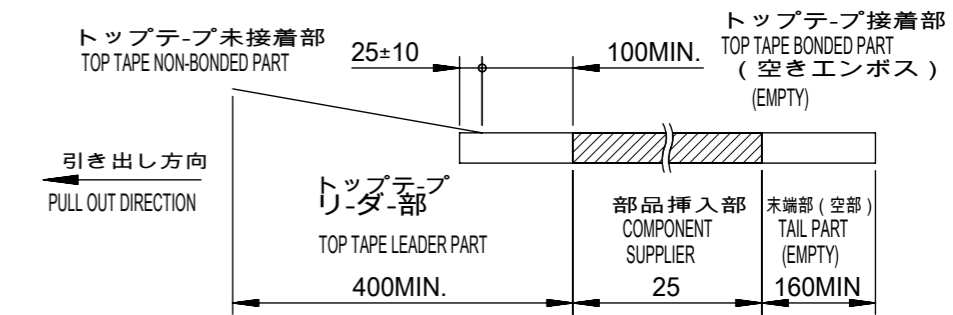
THIS DRAWING CONTAINS INFORMATION THAT IS PROPRIETARY TO MOLEX ELECTRONIC TECHNOLOGIES, LLC AND SHOULD NOT BE USED WITHOUT WRITTEN PERMISSION		CURRENT REV DESC:		molex	
DIMENSION UNITS	SCALE				
mm	1:1			0.3 FPC CONN. BF H=0.95 HOUSING ASSY	
GENERAL TOLERANCES (UNLESS SPECIFIED)					
ANGULAR TOL	± 1.0 °				
4 PLACES	± 0.03	EC NO: 646888			
3 PLACES	± 0.03	DRWN: TNAKAGAWA01	2020/10/08		
2 PLACES	± 0.05	CHK'D: YMATSUMOTO	2020/10/14		
1 PLACE	± 0.1	APPR: SHOSHIKAWA	2020/10/14		
0 PLACES	± 0.2	INITIAL REVISION:		DOCUMENT NUMBER	
DRAFT WHERE APPLICABLE MUST REMAIN WITHIN DIMENSIONS		DRWN: SHIRATA	2015/03/03	5047401000	
THIRD ANGLE PROJECTION		APPR: KMORIKAWA	2016/08/02	DOC TYPE	DOC PART
DRAWING		SERIES		PSD	000
A3-SIZE		504740		REVISION	C
MATERIAL NUMBER		CUSTOMER		SHEET NUMBER	
GENERAL		GENERAL		2 OF 2	



エンボステープ内の製品の向き
DIRECTION OF CONNECTOR IN
EMBOSSSED TAPE

NOTES

- 製品詳細寸法については、図面 5047401000をご参照下さい。
REFER TO THE 5047401000 ABOUT DIMENSIONS IN DETAIL.
- 梱包数量 : 5000 個/リール
NUMBER OF CONNECTORS : 5000 PCS/REEL
- リードテープ長さ
LEAD TAPE LENGTH



- トップテープの剥離強度については、IEC60286-3 に準拠
TOP TAPE PEEL FORCE IS DEFINED BY IEC60286-3.
- 材料
キャリアテープ : ポリスチレン (PS)
トップテープ : PET, OTHER
リール : ポリスチレン (PS) <リサイクル材を含む>

MATERIAL
CARRIER TAPE : POLYSTYRENE(PS)
TOP TAPE : PET, OTHER
REEL : POLYSTYRENE(PS)
<RECYCLE MATERIAL CONTAINED>

32	37.4	33.4	504740-6100	61
			504740-5100	51
24	29.4	25.4	504740-4500	45
			504740-4100	41
			504740-3900	39
			504740-3700	37
			504740-3300	33
			504740-2500	25
16	21.4	17.4	504740-2300	23
			504740-1900	19
			504740-1100	11
テープ幅 TAPE WIDTH	B	A	EMBOSSSED PACKAGE	CIRCUIT
CONNECTION SERIES NO.	504740-**09			
オーダー番号 ORDER NO.				

THIS DRAWING CONTAINS INFORMATION THAT IS PROPRIETARY TO MOLEX ELECTRONIC TECHNOLOGIES, LLC AND SHOULD NOT BE USED WITHOUT WRITTEN PERMISSION

DIMENSION UNITS mm	SCALE 1:1	CURRENT REV DESC:		molex	
GENERAL TOLERANCES (UNLESS SPECIFIED)	ANGULAR TOL \pm 1.0°				
4 PLACES \pm 0.2	EC NO: 692510	DRWN: NARENC 2022/01/17		0.3 FPC CONN. BACK FLIP HGT=0.95MM EMBSTP PKG	
3 PLACES \pm 0.25	CHK'D: TKON	APPR: SHOSHIKAWA 2022/01/20		PRODUCT CUSTOMER DRAWING	
2 PLACES \pm 0.3	INITIAL REVISION:	DRWN: TONO 2013/12/03		DOCUMENT NUMBER	DOC TYPE
1 PLACE \pm 0.1	DRWN: TONO	APPR: YNOGAWA 2014/03/05		SD-504740-002	PSD
0 PLACES \pm	THIRD ANGLE PROJECTION	DRAWING	SERIES	MATERIAL NUMBER	CUSTOMER
DRAFT WHERE APPLICABLE MUST REMAIN WITHIN DIMENSIONS		A3-SIZE	504740	SEE TABLE	GENERAL MARKET
					SHEET NUMBER
					1 OF 1