



Metal circular connector

(Suitable for EMC requirements)

Description

“UTO” Bantam industrial circular connectors are a range of multiway connectors available in 8 shell sizes and 8 insert arrangements all interchangeable, interchangeable and intermountable with the Trim-Trio “UTG”, “UTGS” and “UTP industrial connector families.

“UTO” is equipped with identical shells from military connectors complying to MIL-C-26482 spec. Strong and rugged built to resist every environmental and mechanical requirement for indoor and outdoor applications. In combination with the shielded backshell, “UTO” offers the perfect solution to EMC requirements.

Features and benefits

- Suitable for EMC requirements.
- Shielded backshell is independent of the cable diameter and its shielding.
- Available in 8 shell sizes and 8 insert arrangements.
- Available in plug and receptacle version for both male and female contacts.
- Shells and accessories are made from tin plated corrosion resistant Aluminium.
- Plastic inserts with flammability rating: UL94-V0.
- Alu. bayonet ring:
 - Metal wave spring loaded.
 - Locks with audible positive “click”
 - Assures 500 matings and unmatings



Performance characteristics

| | |
|-------------------------------------|---|
| Operating temperature: | -55°C to +125°C |
| Insulation resistance: | 5000 MΩ min. |
| Test potential: | 2000 VAC |
| Durability: | 500 matings and unmatings. |
| Vibration resistance: | Per MIL-STD202 method 204 |
| Thermal shock: | Per MIL-STD202 method 207 |
| Corrosion: | Salt spray per MIL-STD 202 method 101 |
| Shielding effectiveness: | 95 dB at 1 Mhz (see shielded connectors section) |
| Degree of protection per DIN 40050: | IP65 in mated condition. “H” version used with UTG-PG cable clamp |

Construction

| | |
|-------------------------|----------------------------------|
| Shells and accessories: | Aluminium alloy |
| Coupling ring: | Aluminium alloy |
| Tri-lock pins: | Stainless steel |
| Coupling spring: | Spring steel |
| Insert: | Glass-filled thermoplast UL94-V0 |
| Finish: | Bright tin (standard) |

Contact accommodation

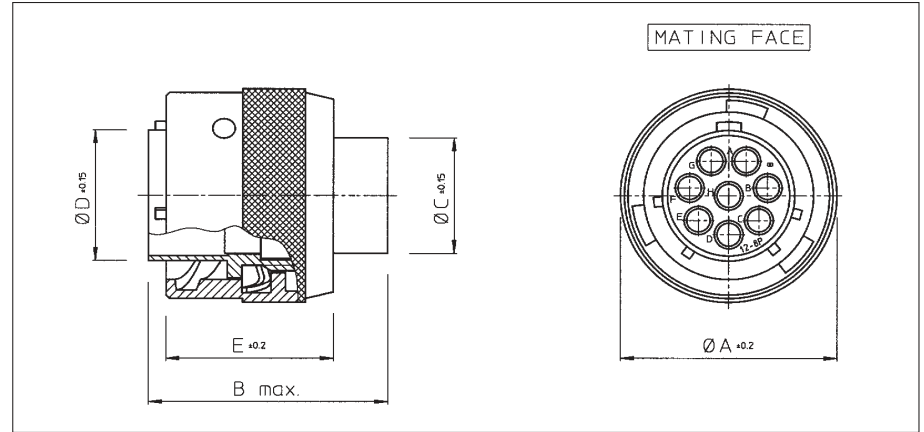
- “UTO” connectors accept Trim-Trio crimp-type removable snap-lock contacts (see contacts section)
- Contacts to be ordered separately.

How to order

| | UTO | 0 | 14 | 12 | P | - | H | -- | T | B |
|-----------------------------|-----|---|----|----|--|---|---|----|---|---|
| | UTO | 6 | 14 | 12 | S | - | | | | B |
| Body variation: | | 0 : Wall mounting receptacle 6 : Cable plug 1 : Free hanging receptacle 7 : Bulk head receptacle for rear panel mounting | | | | | | | | |
| Shell size: | | | | | | | | | | |
| Insert arrangement: | | | | | | | | | | |
| Type of contacts: | | | | | P : Pin contacts S : Socket contacts | | | | | |
| Insert polarisation: | | | | | No letter : Standard version | | | | | |
| Application: | | | | | No letter : Standard version H : Water protected version (only receptacle) | | | | | |
| Design variation: | | | | | No letter : Standard version Others : Special versions | | | | | |
| Plating: | | | | | T : Bright tin (Standard version) | | | | | |
| Packing: | | | | | No letter: Standard version: Each connector individually packed in plastic bag B: Bulk packing per qty of 100 pcs | | | | | |



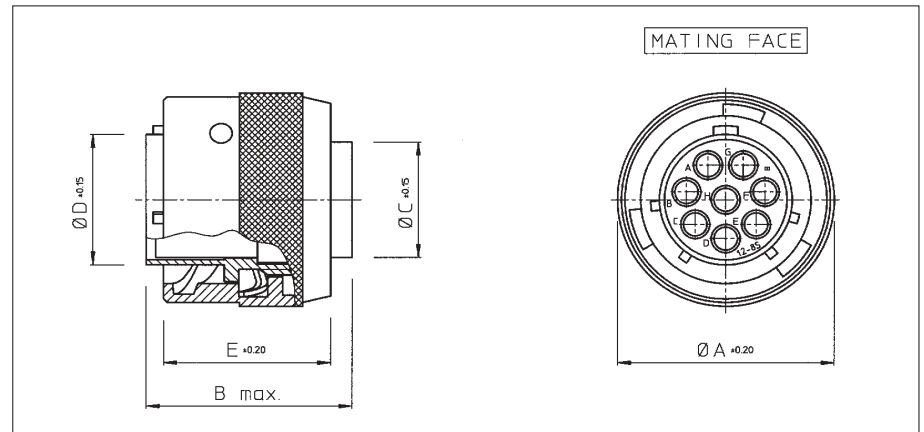
Cable plug for pin contacts (UT06- - - -PT)



| Part number | Shell size | $\varnothing A_{\pm 0.2}$ | B max. | $\varnothing C_{\pm 0.15}$ | $\varnothing D_{\pm 0.15}$ | E ± 0.2 |
|-------------|------------|---------------------------|--------|----------------------------|----------------------------|-------------|
| UT06104PT | 10 | 21.6 | 31.8 | 10.2 | 12.3 | 19.1 |
| UT06128PT | 12 | 24.8 | | 13.4 | 15.1 | |
| UT061412PT | 14 | 28.0 | | 16.7 | 18.3 | |
| UT061619PT | 16 | 31.2 | | 19.7 | 21.5 | |
| UT061823PT | 18 | 34.3 | | 21.7 | 24.0 | |
| UT062028PT | 20 | 37.5 | | 24.9 | 27.2 | |
| UT062235PT | 22 | 40.7 | | 28.1 | 30.4 | |
| UT062448PT | 24 | 43.9 | 31.2 | 33.5 | | |

For bulk packing (qty 100 pcs) add B at the end of cat. Nr. eg. UT061412PTB

Cable plug for socket contacts (UT06- - - -ST)

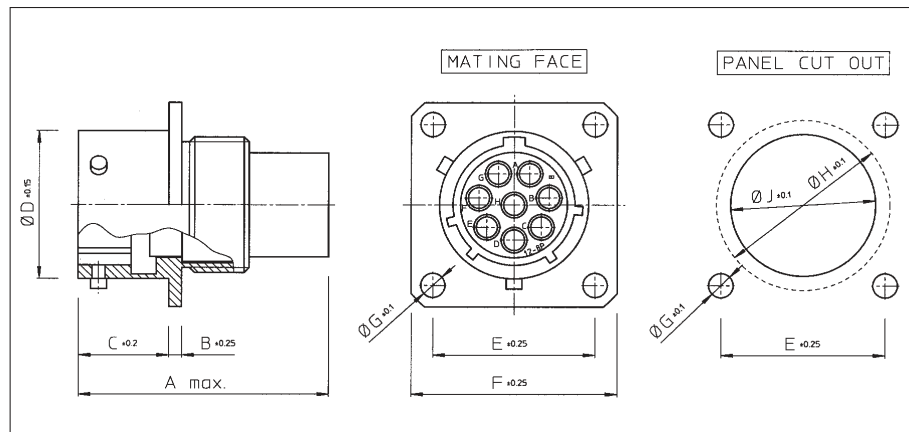


| Part number | Shell size | $\varnothing A_{\pm 0.2}$ | B max. | $\varnothing C_{\pm 0.15}$ | $\varnothing D_{\pm 0.15}$ | E ± 0.2 |
|-------------|------------|---------------------------|--------|----------------------------|----------------------------|-------------|
| UT06104ST | 10 | 21.6 | 31.8 | 10.2 | 12.3 | 19.1 |
| UT06128ST | 12 | 24.8 | | 13.4 | 15.1 | |
| UT061412ST | 14 | 28.0 | | 16.7 | 18.3 | |
| UT061619ST | 16 | 31.2 | | 19.7 | 21.5 | |
| UT061823ST | 18 | 34.3 | | 21.7 | 24.0 | |
| UT062028ST | 20 | 37.5 | 24.9 | 24.9 | 27.2 | |
| UT062235ST | 22 | 40.7 | 26.2 | 28.1 | 30.4 | |
| UT062448ST | 24 | 43.9 | | 31.2 | 33.5 | |

For bulk packing (qty 100 pcs) add B at the end of cat. Nr. eg. UT061412STB



Wall mounting receptacle for pin contacts (UT00- - - -PT)

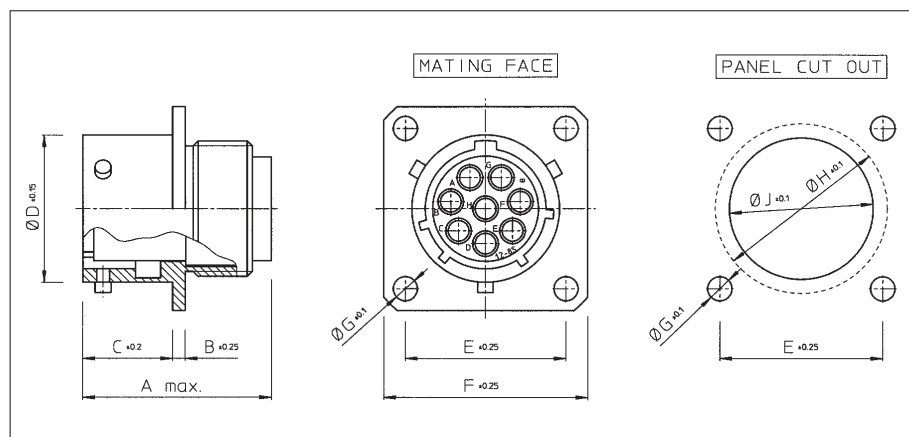


| Part number | Shell size | A max. | B ± 0.25 | C ± 0.2 | $\varnothing D$ ± 0.15 | E ± 0.25 | F ± 0.25 | $\varnothing G$ ± 0.1 | $\varnothing H$ ± 0.1 | $\varnothing J$ ± 0.1 |
|-------------|------------|--------|--------------|-------------|----------------------------|--------------|--------------|---------------------------|---------------------------|---------------------------|
| UT00104PT | 10 | 31.7 | 1.6 | 11.3 | 15.0 | 18.3 | 23.8 | 3.2 | 17.3 | 15.1 |
| UT00128PT | 12 | | | | 19.0 | 20.6 | 26.2 | | 21.8 | 18.2 |
| UT001412PT | 14 | | | | 22.2 | 23.0 | 28.6 | | 25.0 | 21.4 |
| UT001619PT | 16 | | | | 25.3 | 24.6 | 31.0 | | 28.1 | 24.6 |
| UT001823PT | 18 | | | | 28.5 | 26.9 | 33.3 | | 31.3 | 27.8 |
| UT002028PT | 20 | 33.3 | 2.4 | 14.5 | 31.7 | 29.4 | 36.5 | 34.5 | 30.9 | |
| UT002235PT | 22 | | | 34.9 | 31.8 | 39.7 | 37.7 | 34.1 | | |
| UT002448PT | 24 | | | 15.3 | 38.0 | 34.9 | 42.9 | 3.9 | 40.9 | 37.3 |

For waterprotected version add "H" behind "P" e.g. UT001412PHT

For bulk packing (qty 100 pcs) add B at the end of cat. Nr. eg. UT001412PTB

Wall mounting receptacle for socket contacts (UT00- - - -ST)

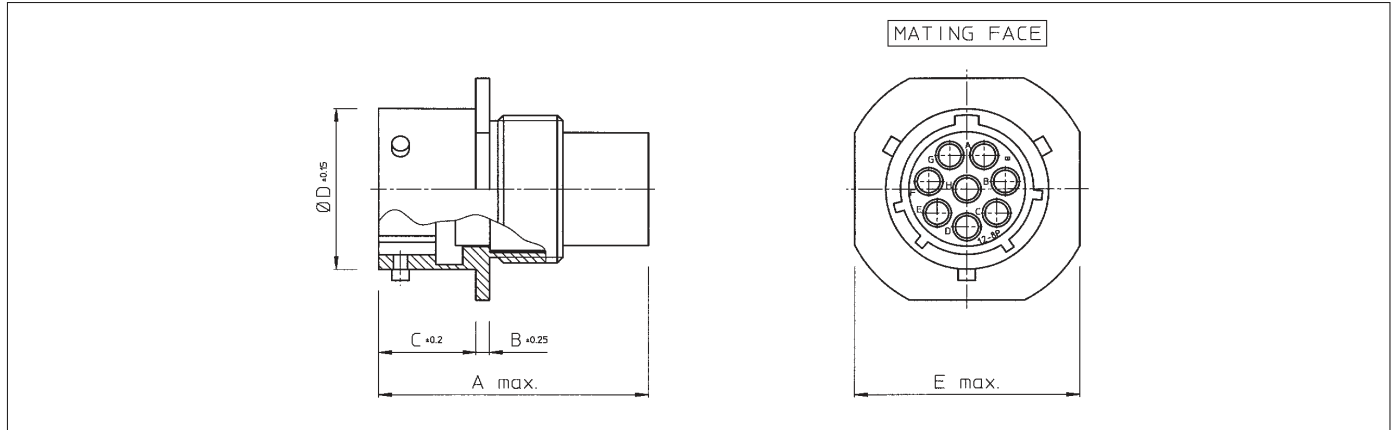


| Part number | Shell size | A max. | B ± 0.25 | C ± 0.2 | $\varnothing D$ ± 0.15 | E ± 0.25 | F ± 0.25 | $\varnothing G$ ± 0.1 | $\varnothing H$ ± 0.1 | $\varnothing J$ ± 0.1 |
|-------------|------------|--------|--------------|-------------|----------------------------|--------------|--------------|---------------------------|---------------------------|---------------------------|
| UT00104ST | 10 | 24.3 | 1.6 | 11.3 | 15.0 | 18.3 | 23.8 | 3.2 | 17.3 | 15.1 |
| UT00128ST | 12 | | | | 19.0 | 20.6 | 26.2 | | 21.8 | 18.2 |
| UT001412ST | 14 | | | | 22.2 | 23.0 | 28.6 | | 25.0 | 21.4 |
| UT001619ST | 16 | | | | 25.3 | 24.6 | 31.0 | | 28.1 | 24.6 |
| UT001823ST | 18 | | | | 28.5 | 26.9 | 33.3 | | 31.3 | 27.8 |
| UT002028ST | 20 | 25.9 | 2.4 | 14.5 | 31.7 | 29.4 | 36.5 | 34.5 | 30.9 | |
| UT002235ST | 22 | | | 34.9 | 31.8 | 39.7 | 37.7 | 34.1 | | |
| UT002448ST | 24 | | | 15.3 | 38.0 | 34.9 | 42.9 | 3.9 | 40.9 | 37.3 |

For waterprotected version add "H" behind "P" e.g. UT001412SHT

For bulk packing (qty 100 pcs) add B at the end of cat. Nr. eg. UT001412STB

Free hanging receptacle for pin contacts (UT01- - - -PT) - suitable for cable to cable applications

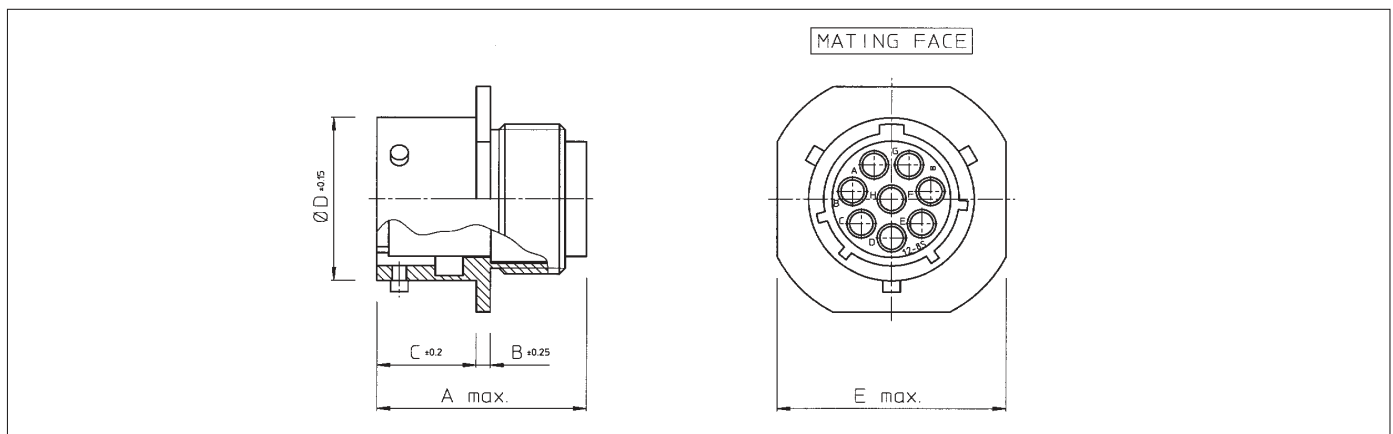


| Part number | Shell size | A max. | B ±0.25 | C ±0.2 | Ø D ±0.15 | Ø E max. |
|-------------|------------|--------|---------|--------|-----------|----------|
| UT01104PT | 10 | 31.7 | 1.6 | 11.3 | 14.9 | 24.1 |
| UT01128PT | 12 | | | | 19.0 | 26.4 |
| UT011412PT | 14 | | | | 22.2 | 28.8 |
| UT011619PT | 16 | | | | 25.3 | 31.2 |
| UT011823PT | 18 | | | | 28.5 | 33.6 |
| UT012028PT | 20 | 33.3 | 2.4 | 14.5 | 31.7 | 36.8 |
| UT012235PT | 22 | | | 34.9 | 39.9 | |
| UT012448PT | 24 | | | 15.3 | 38.0 | 43.1 |

For waterprotected version add "H" behind "P" e.g. UT011412PHT

For bulk packing (qty 100 pcs) add B at the end of cat. Nr. eg. UT011412PTB

Free hanging receptacle for pin contacts (UT01- - - -ST) - suitable for cable to cable applications



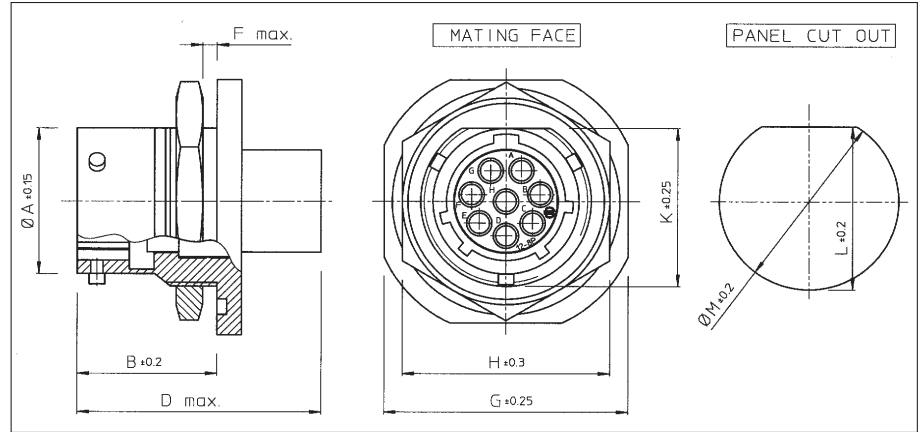
| Part number | Shell size | A max. | B ±0.25 | C ±0.2 | Ø D ±0.15 | Ø E max. |
|-------------|------------|--------|---------|--------|-----------|----------|
| UT01104ST | 10 | 24.3 | 1.6 | 11.3 | 14.9 | 24.1 |
| UT01128ST | 12 | | | | 19.0 | 26.4 |
| UT011412ST | 14 | | | | 22.2 | 28.8 |
| UT011619ST | 16 | | | | 25.3 | 31.2 |
| UT011823ST | 18 | | | | 28.5 | 33.6 |
| UT012028ST | 20 | 25.9 | 2.4 | 14.5 | 31.7 | 36.8 |
| UT012235ST | 22 | | | 34.9 | 39.9 | |
| UT012448ST | 24 | | | 15.3 | 38.0 | 43.1 |

For waterprotected version add "H" behind "P" e.g. UT011412SHT

For bulk packing (qty 100 pcs) add B at the end of cat. Nr. eg. UT011412STB



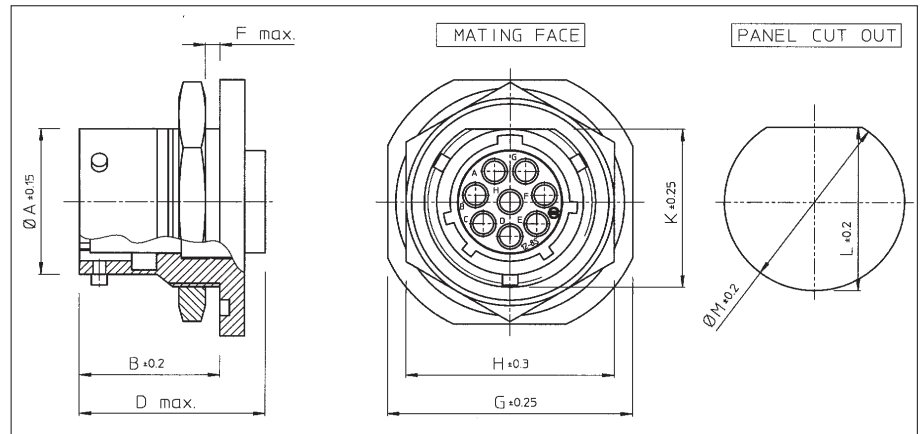
Bulk head receptacle for pin contacts (UT07- - -PT) - suitable for rear panel mounting



| Part number | Shell size | A ±0.15 | B ±0.2 | D max. | F max. | G ±0.25 | H ±0.2 | K ±0.2 | L ±0.12 | Ø M ±0.2 |
|-------------|------------|------------|-----------|-----------|-----------|------------|-----------|-----------|------------|-------------|
| UT07104PT | 10 | 14.9 | 18.0 | 31.7 | 3.2 | 27.0 | 22.2 | 16.6 | 17.0 | 17.7 |
| UT07128PT | 12 | 19.0 | | | | 31.8 | 27.0 | 20.8 | 21.2 | 22.5 |
| UT071412PT | 14 | 22.2 | | | | 34.9 | 30.2 | 23.9 | 24.3 | 25.7 |
| UT071619PT | 16 | 25.3 | | | | 38.1 | 33.3 | 27.1 | 27.5 | 28.7 |
| UT071823PT | 18 | 28.5 | | | | 41.3 | 36.5 | 30.3 | 30.6 | 32.0 |
| UT072028PT | 20 | 31.7 | 22.7 | 33.3 | 6.4 | 46.1 | 39.7 | 33.4 | 33.8 | 35.2 |
| UT072235PT | 22 | 34.9 | | | | 49.2 | 42.9 | 36.6 | 37.0 | 38.4 |
| UT072448PT | 24 | 38.0 | | | | 52.4 | 46.0 | 39.8 | 40.1 | 41.5 |

For waterprotected version add "H" behind "P" e.g. UT071412PHT
 For bulk packing (qty 100 pcs) add B at the end of cat. Nr. eg. UT071412PTB

Bulk head receptacle for pin contacts (UT07- - -ST) - suitable for rear panel mounting



| Part number | Shell size | A ±0.15 | B ±0.2 | D max. | F max. | G ±0.25 | H ±0.2 | K ±0.2 | L ±0.12 | Ø M ±0.2 |
|-------------|------------|------------|-----------|-----------|-----------|------------|-----------|-----------|------------|-------------|
| UT07104ST | 10 | 14.9 | 18.0 | 24.3 | 3.2 | 27.0 | 22.2 | 16.6 | 17.0 | 17.7 |
| UT07128ST | 12 | 19.0 | | | | 31.8 | 27.0 | 20.8 | 21.2 | 22.5 |
| UT071412ST | 14 | 22.2 | | | | 34.9 | 30.2 | 23.9 | 24.3 | 25.7 |
| UT071619ST | 16 | 25.3 | | | | 38.1 | 33.3 | 27.1 | 27.5 | 28.7 |
| UT071823ST | 18 | 28.5 | | | | 41.3 | 36.5 | 30.3 | 30.6 | 32.0 |
| UT072028ST | 20 | 31.7 | 22.7 | 25.9 | 6.4 | 46.1 | 39.7 | 33.4 | 33.8 | 35.2 |
| UT072235ST | 22 | 34.9 | | | | 49.2 | 42.9 | 36.6 | 37.0 | 38.4 |
| UT072448ST | 24 | 38.0 | | | | 52.4 | 46.0 | 39.8 | 40.1 | 41.5 |

For waterprotected version add "H" behind "P" e.g. UT071412SHT
 For bulk packing (qty 100 pcs) add B at the end of cat. Nr. eg. UT071412STB