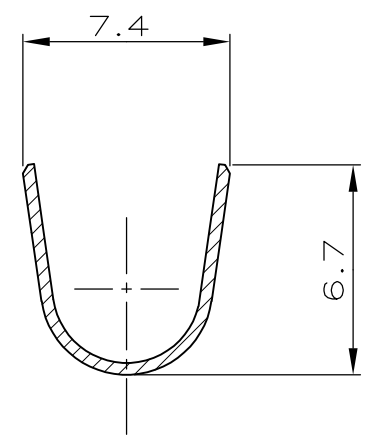
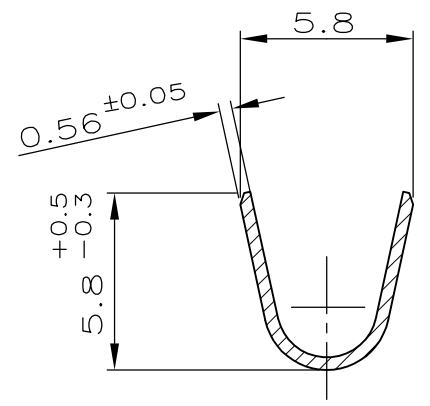


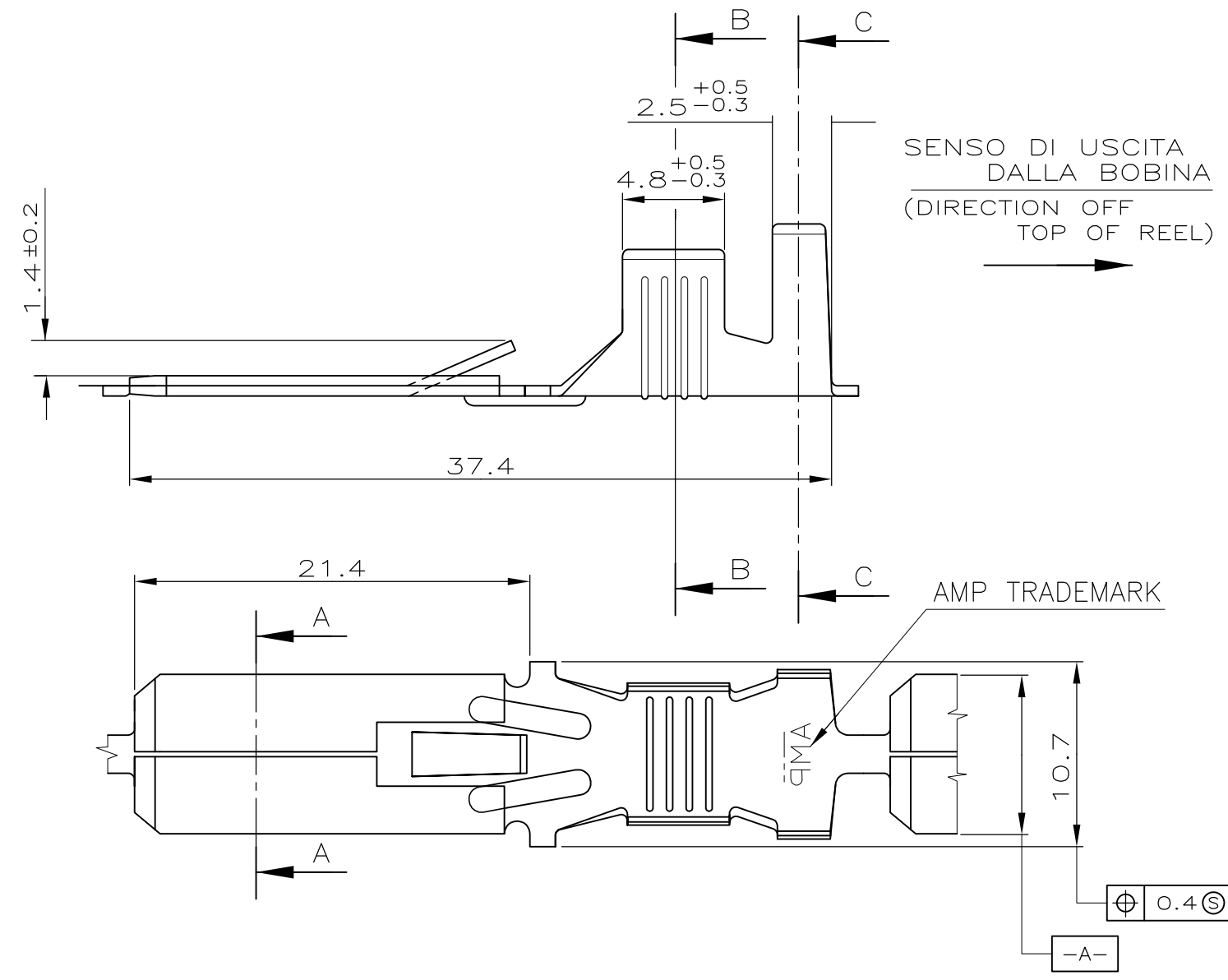
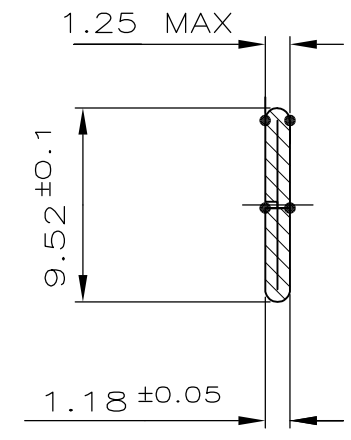
SEZIONE C-C
(SECTION C-C)



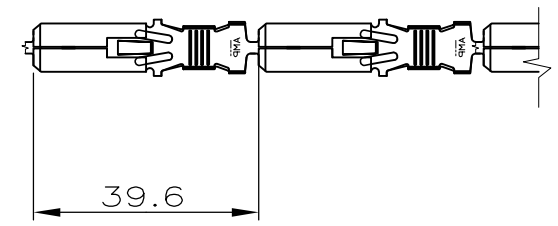
SEZIONE B-B
(SECTION B-B)



SEZIONE A-A
(SECTION A-A)



1) STATO DI FORNITURA -SCALA 1:1
(SUPPLYING CONDITION -SCALE 1:1-)



2) CONFEZIONATO CON CARTA INTERPOSTA SU BOBINA DI CARTONE DIAMETRO 12" (REELED ON 12" DIA CARTON REEL WITH INTERLAYER PAPER)

3) SPECIFICA DI PRODOTTO 108-20020, SPECIFICA DI AGGRAFFATURA 114-20021 (PRODUCT SPEC. 108-20020, APPLICATION SPEC. 114-20021).

4 OBSOLETE PARTS: OBSOLETE CIS STREAMLINING PER D.RENAUD/D.SINISI

SUPERSEDED BY 280075-4	STAGNATO (TIN PLATED)	BRONZO FOSFOROSO (PH. BRONZE)	N	280075-6
SUPERSEDED BY 280075-2	STAGNATO (TIN PLATED)	OTTONE (BRASS)	N	280075-5
	PRE-STAGNATO (PRE-TIN PL)	BRONZO FOSFOROSO (PH. BRONZE)	P	280075-4
	NUDO (UNPLATED)	BRONZO FOSFOROSO (PH. BRONZE)	N	280075-3
	PRE-STAGNATO (PRE-TIN PL)	OTTONE (BRASS)	P	280075-2
	FINITURA / COLORE (FINISH / COLOUR)	MATERIALE (MATERIAL)	REV.	NUMERO (P/N)

CUSTOMER DWG. FOR REFERENCE ONLY		DISEGNO PER CLIENTE SOLO PER RIFERIMENTO	
THIS DRAWING IS UNPUBLISHED		RELEASE FOR PUBLICATION 19	
© COPYRIGHT 19 BY AMP INCORPORATED, HARRISBURG, PA. ALL INTERNATIONAL RIGHT RESERVED. AMP PRODUCTS MAY BE COVERED BY U.S. AND FOREIGN PATENT AND/OR PATENT PENDING			
R2	REVISED PER ECO-10-000445	KK	HMR 29 JAN 10
R1	UPDATED		16-03 2009
R	SUPERSEDED PARTS ET00-0136-03	H.Y	C.T. 25 JUL 2003
P	REVISED PER ET00-0152-01	H.Y	C.T. 22 APR 2002
N3	REVISED PER EC ET00-0126-01	R.F	C.T. 15 MAY 2001
N2	REVISED PER EC ET00-0267-00	M.G	R.M. 13-10 2000
N1	REVISED PER EC ET00-0225-99	M.G	R.M. 04-5 2000
N	REVISED PER EC ET00-0289-99	R.F	C.T. 8-10 '99
M1	RELEASED FOR PROD. -5 & -6 PER EC ET00-0191-99	H.Y	C.T. 01-6 '99
M	ADDED P/N-6, PER EC ET00-0353-98	C.T	C.T. 3-12 '98
REV.	REVISIONI (REVISION RECORD)	DIS.	CONTR. DATA (DR.) (CHK) (DATE)

TOLLERANZE: SE NON DIVERSAMENTE SPECIFICATO (TOLERANCES: UNLESS OTHERWISE SPECIFIED)		DIAM. ISOLANTE (INS. DIA. RANGE)	RANGO FILO (WIRE RANGE)	SCALA (SCALE)
± 0.3		3.4-5.1 mm	3-6 mm ²	-
ANGOLI (ANGLES)		AMP		
± 2°		AMP ITALIA S.p.A. Corso F.lli Cervi, 15 COLLEGNO (TORINO)		
DIS. (DR.)		DESCRIZIONE (DESCRIPTION)		
R.FABRIS		FASTIN-FASTON Connector, .375"sr TAB TERMINAL		
CONT. (CHK) C.TARTARI		LOC.	SIZE	NUMERO (DWG NO)
14 SEPT 99		1	A3	C-280075
APP. (APP.)		REV.	FOGLIO (SHEET)	
14 SEPT 99		R2	1 (OF) 1	

DISTRIBUZIONE (PRINT, DIST.)