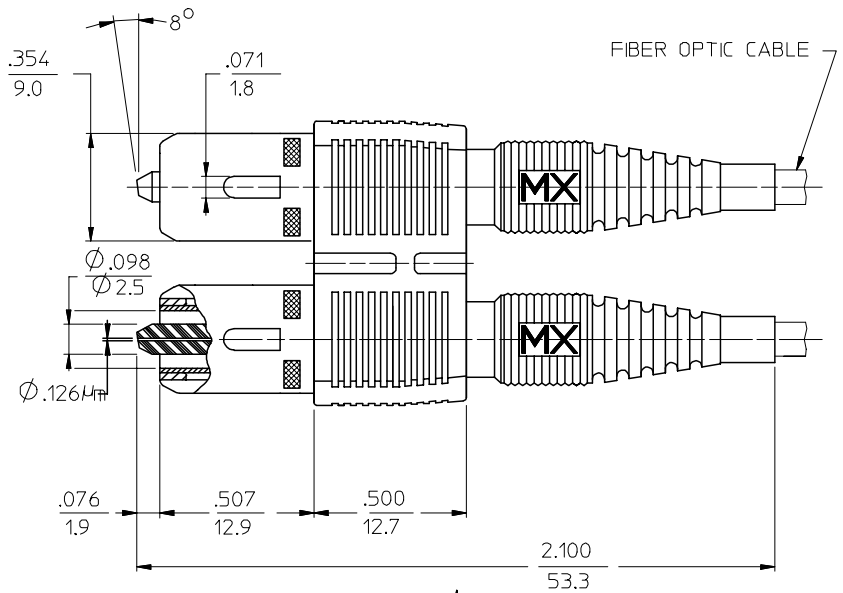
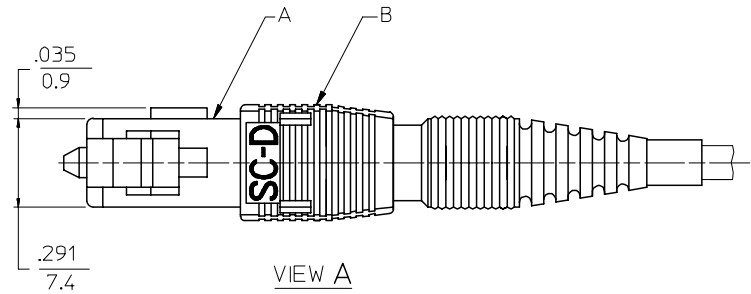
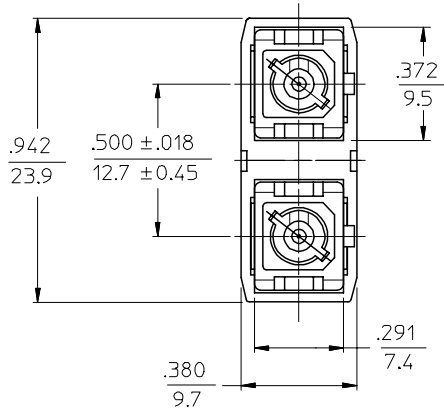


10	9	8	7	6	5	4	3	2	1
CONNECTOR P/N	MATERIAL OF FERRULE	COLOR OF HOUSING A	COLOR OF HOUSING B	COLOR OF BOOT	CONNECTOR TYPE	CABLE OD mm			
106060-5000	ZIRCONIA	GREEN	GREEN	GREEN	SINGLE MODE	3			



NOTES:

1. DUST CAPS ARE NOT SHOWN.

ENTER DESCRIPTION EC NO: MF2006-0177 DRWN:PGIBLIN CHKD: APPR:IGUMIN 2005/12/06 2005/12/06 2005/12/07	QUALITY SYMBOLS ▽=0 ▽=0	GENERAL TOLERANCES (UNLESS SPECIFIED)		DIMENSION STYLE	SCALE	DESIGN UNITS	THIRD ANGLE PROJECTION	
		mm	INCH	IN/MM	2.5:1	INCH		
		4 PLACES ± ---	± ---	PGIBLIN	DATE	TITLE		
		3 PLACES ± ---	± ---	CHECKED BY	DATE	SC-D/APC TYPE CONNECTOR		
2 PLACES ± ---	± ---	APPROVED BY	DATE	MOLEX INCORPORATED				
1 PLACE ± ---	± ---	ANGULAR ±1/2°		MATERIAL NO.	DOCUMENT NO.	SHEET NO.		
DRAFT WHERE APPLICABLE MUST REMAIN WITHIN DIMENSIONS		1060605000		SD-106060-5000		1 OF 01		
REV A	DESCRIPTION	THIS DRAWING CONTAINS INFORMATION THAT IS PROPRIETARY TO MOLEX INCORPORATED AND SHOULD NOT BE USED WITHOUT WRITTEN PERMISSION						