

**Technical specification :**

Rated voltage: IEC 61076-2-104	30 V
Current rating: IEC 61076-2-104	3 A at 40°C
Insulation resistance: IEC 60512	≥100 MΩ
Pollution degree: IEC 60664-1	3/2
Degree of protection: IEC 60529	IP 67, in mated condition
Temperature range: IEC 60664-1	-30°C ... +80°C
Mating cycles: IEC 60512-9a	≥100

**Materials:**

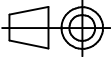

Contact:	CuZn
Contact plating:	Nickel, gold plated
Contact carrier:	TPU GF, UL 94
Moulding body:	TPU, UL 94, grey

**Contact assignment:**

- 1 ■ brown
- 2 ■ white
- 3 ■ blue
- 4 ■ black
- 5 ■ grey

Part no:	Description:	Length L:	Cable:
42-11116	SAL - 8B - RSS5.1 - 2 / K1	2m	TPU, UL 20549, black, 5x0,25mm <sup>2</sup> Cable: 781-K12500
42-11117	SAL - 8B - RSS5.1 - 3 / K1	3m	
42-11118	SAL - 8B - RSS5.1 - 5 / K1	5m	
42-11119	SAL - 8B - RSS5.1 - 10 / K1	10m	
42-xxxxx	SAL - 8B - RSS5.1 - ... / K1	x	

D see data sheet cable

DO NOT ALTER CAD DRAWING BY HAND Directive 2002/95/EC RoHS compliant	Index:a 23.08.11 BCB Ä3941 data modified	 dim. in mm	<b>title:</b> Male connector ø8 axial, snap, B-coding									
	tolerance of cable: L ≤ 4m: L + 40mm L > 4m: L + 1%			<table border="1"> <tr> <td></td> <td>date</td> <td>name</td> </tr> <tr> <td>drawn</td> <td>06.08.10</td> <td>Fromm</td> </tr> <tr> <td>appd.</td> <td>06.08.10</td> <td>Mankopf</td> </tr> </table>		date	name	drawn	06.08.10	Fromm	appd.	06.08.10
		date		name								
	drawn	06.08.10		Fromm								
appd.	06.08.10	Mankopf										
THIS DRAWING MAY NOT BE COPIED OR REPRODUCED IN ANY WAY, AND MAY NOT BE PASSED ON TO A THIRD PARTY WITHOUT WRITTEN PERMISSION. OWNERSHIP AND COPYRIGHT OF CONEC GmbH		<b>dwg no:</b> 42K1A245										
		<b>part no:</b> see table										