

63132-3 ✓ ACTIVE

MAG-MATE

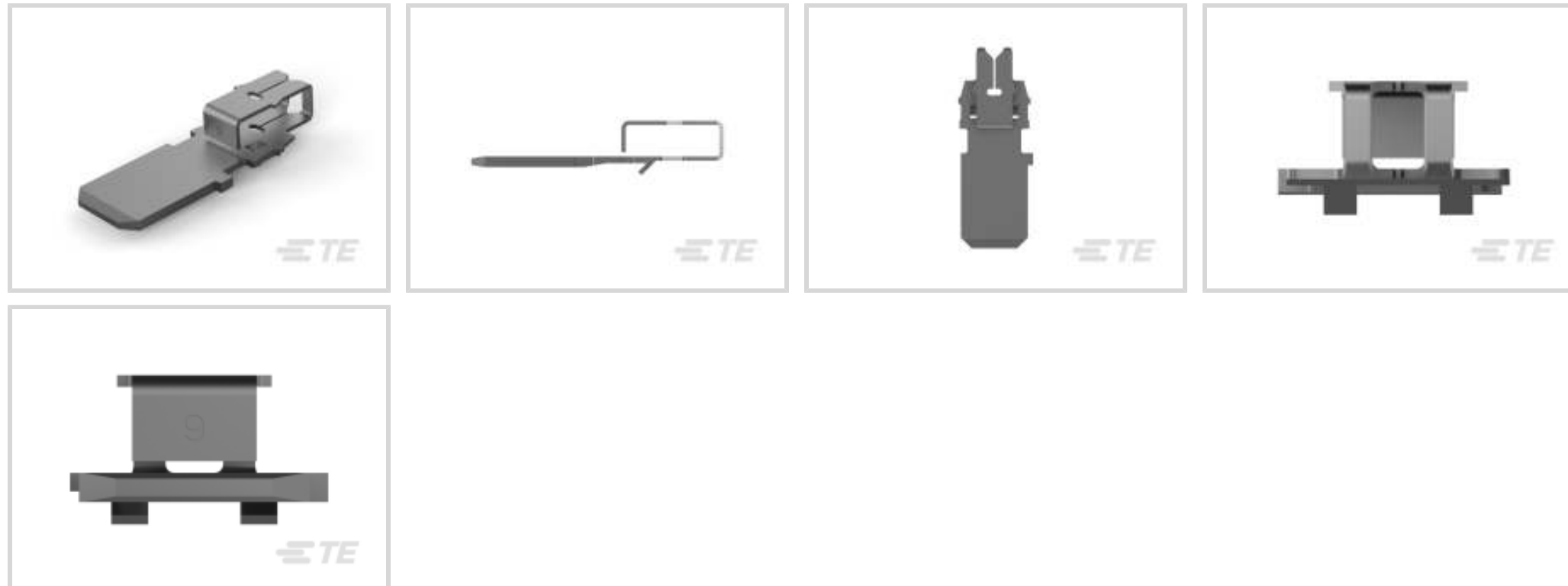
TE Internal #: 63132-3

Magnet Wire Terminals, Tab, Mating Tab Width .25 in [6.35 mm],
Size 3, 28 – 25 AWG Aluminum Wire, .08 – .16 mm Aluminum Wire,
MAG-MATE

[View on TE.com >](#)



Terminals & Splices > Magnet Wire Terminals



Magnet Wire Terminal Type: **Tab**

Mating Tab Width: **6.35 mm [.25 in]**

Mating Tab Thickness: **.8 mm [.032 in]**

Compatible With Cavity Size: **Size 3**

Aluminum Wire Size: **28 – 25 AWG**

Features

Product Type Features

Compatible With Discrete Wire Type

Magnet Wire, Solid

Body Features

Compatible With Cavity Size

Size 3

Contact Features

Magnet Wire Terminal Type

Tab

Mating Tab Width

6.35 mm [.25 in]

Mating Tab Thickness

.8 mm [.032 in]

Terminal Plating Material

Tin

Terminal Orientation

Straight

Termination Features

Termination Method to Wire & Cable

Insulation Displacement (IDC)

Mechanical Attachment

Mating Retention Type

Dimple

Dimensions

Terminal Height	7.87 mm[.3 in]
Aluminum Wire Size	.08 – .16 mm
Magnet Wire Size	.25 – .36 mm
Stock Thickness (Magnet Wire Side)	.3 mm[.012 in]
Product Length	18.97 mm[.747 in]

Usage Conditions

Insulation Option	Uninsulated
Operating Temperature Range	-65 – 150 °C[-85 – 302 °F]

Operation/Application

Compatible With Wire Base Material	Aluminum, Copper
------------------------------------	------------------

Identification Marking

Identification Number	6
-----------------------	---

Packaging Features

Packaging Quantity	6500
Packaging Method	Reel, Reel/Carton

Other

Terminals & Splices Comment	Two magnet wires may be terminated in the same terminal slot if diameters are equal., Varnish resist coating., With Latches
-----------------------------	---

Product Compliance

[For compliance documentation, visit the product page on TE.com>](#)

EU RoHS Directive 2011/65/EU	Compliant
EU ELV Directive 2000/53/EC	Compliant
China RoHS 2 Directive MIIT Order No 32, 2016	No Restricted Materials Above Threshold
EU REACH Regulation (EC) No. 1907/2006	Current ECHA Candidate List: JUNE 2023 (235) Candidate List Declared Against: JAN 2023 (233) Does not contain REACH SVHC
Halogen Content	Low Halogen - Br, Cl, F, I < 900 ppm per homogenous material. Also BFR/CFR/PVC Free
Solder Process Capability	Not applicable for solder process capability

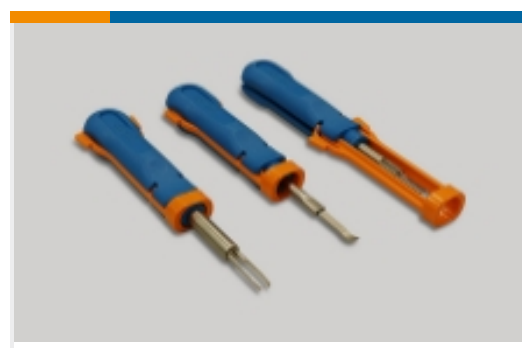
Product Compliance Disclaimer

This information is provided based on reasonable inquiry of our suppliers and represents our current actual knowledge based on the information they provided. This information is subject to change. The part numbers that TE has identified as EU RoHS compliant have a maximum concentration of 0.1% by weight in homogenous materials for lead, hexavalent chromium, mercury, PBB, PBDE, DBP, BBP, DEHP, DIBP, and 0.01% for cadmium, or qualify for an exemption to these limits as defined in the Annexes of Directive 2011/65/EU (RoHS2). Finished electrical and electronic equipment products will be CE marked as required by Directive 2011/65/EU. Components may not be CE marked. Additionally, the part numbers that TE has identified as EU ELV compliant have a maximum concentration of 0.1% by weight in homogenous materials for lead, hexavalent chromium, and mercury, and 0.01% for cadmium, or qualify for an exemption to these limits as defined in the Annexes of Directive 2000/53/EC (ELV). Regarding the REACH Regulation, the information TE provides on SVHC in articles for this part number is based on the latest European Chemicals Agency (ECHA) 'Guidance on requirements for substances in articles' posted at this URL: <https://echa.europa.eu/guidance-documents/guidance-on-reach>

Compatible Parts

 <p>TE Part # 63128-3 TAB, .250 FASTON,MAG-MATE</p>	 <p>TE Part # 62651-1 MAG-MATE 250FTAB 30-27 013TPBR</p>	 <p>TE Part # 63328-1 MAG-MATE 250F TAB TPBR</p>	 <p>TE Part # 63499-1 MAG-MATE 250 F TAB 30-27 TPBR</p>
 <p>TE Part # 63027-1 MAGMATE 250F-TAB 30-27 TPBR.</p>	 <p>TE Part # 63128-1 MAG-MATE 250 F TAB 27-23 TPBR</p>	 <p>TE Part # 63132-1 MAG-MATE 250 F TAB 30-27 TPBR</p>	 <p>TE Part # 63132-2 MAG-MATE 250 F TAB 30-27 BR</p>
 <p>TE Part # 63133-1 MAG-MATE 250 F TAB 33-31 TPBR</p>	 <p>TE Part # 63499-2 MAG-MATE 250 F TAB 30-27 TPBR</p>	 <p>TE Part # 63590-5 SPEC,LEAF,300 SERIES,MAG-MATE</p>	 <p>TE Part # 63898-1 MAG-MATE 250FTAB 30-27 TPBR</p>

Also in the Series | **MAG-MATE**



Insertion & Extraction Tools(7)

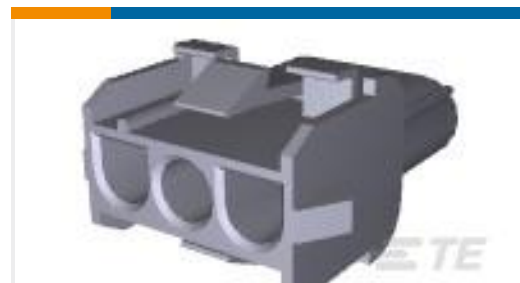
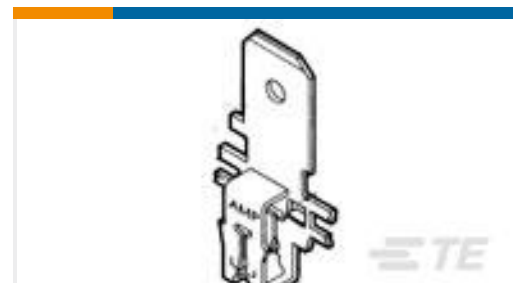
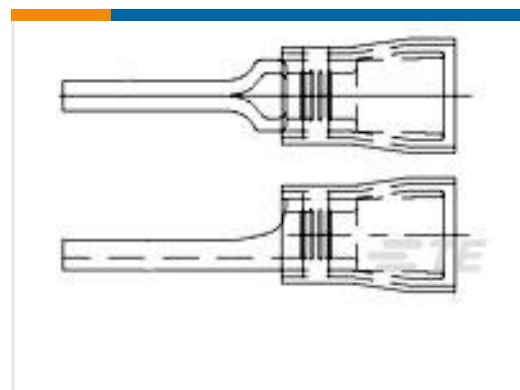


Magnet Wire Terminals(435)



PCB Terminals(1)

Customers Also Bought

TE Part #1-480703-0
04P UMNL CAP HSG NATLTE Part #1-480701-0
03P UMNL CAP HSG NATLTE Part #63128-3
TAB, .250 FASTON,MAG-MATETE Part #6-2176087-2
RP 1J 0.166W 301R 0.1% 25PPM 1K RLTE Part #696153-2
TERM, WIRE PIN, PIDG, 22-16, T&RTE Part #696394-2
TERM, WIRE PIN, PIDG, 16-14, T&RTE Part #CM9614-000
SBP100143WE5TE Part #2292799-3
AS16 BACKSHELL, 4P PLUG, NC12,
MC

Documents

Product Drawings

TAB, .250 FASTON,MAG-MATE

English

CAD Files

3D PDF

3D

Customer View Model

[ENG_CVM_CVM_63132-3_Y.2d_dxf.zip](#)

English

Customer View Model

[ENG_CVM_CVM_63132-3_Y.3d_igs.zip](#)

English

Customer View Model

[ENG_CVM_CVM_63132-3_Y.3d_stp.zip](#)

English

By downloading the CAD file I accept and agree to the [Terms and Conditions](#) of use.



Datasheets & Catalog Pages

Magnet Wire Terminals & Splices

English

Product Specifications

Application Specification

English

Application Specification

Japanese

MAG-MATE Standard Series .300 Box Height Special Latch Type Terminal

Japanese

Product Environmental Compliance

Product Compliance

English

Product Compliance

English