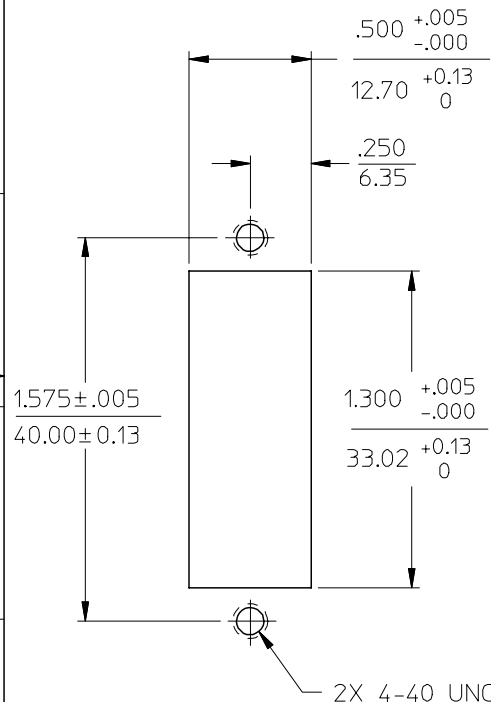
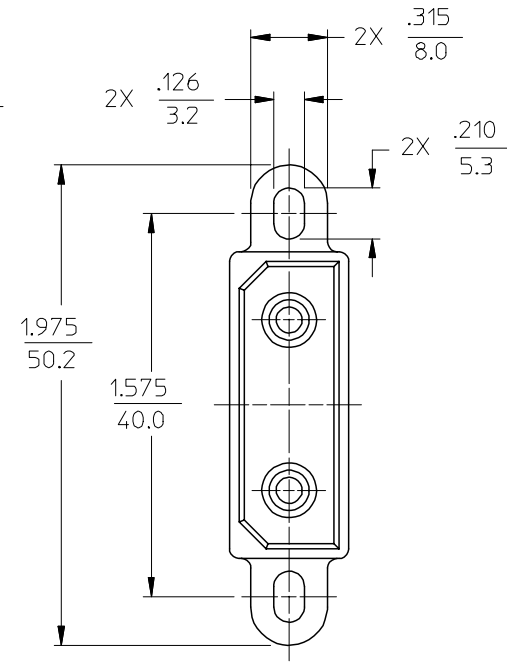
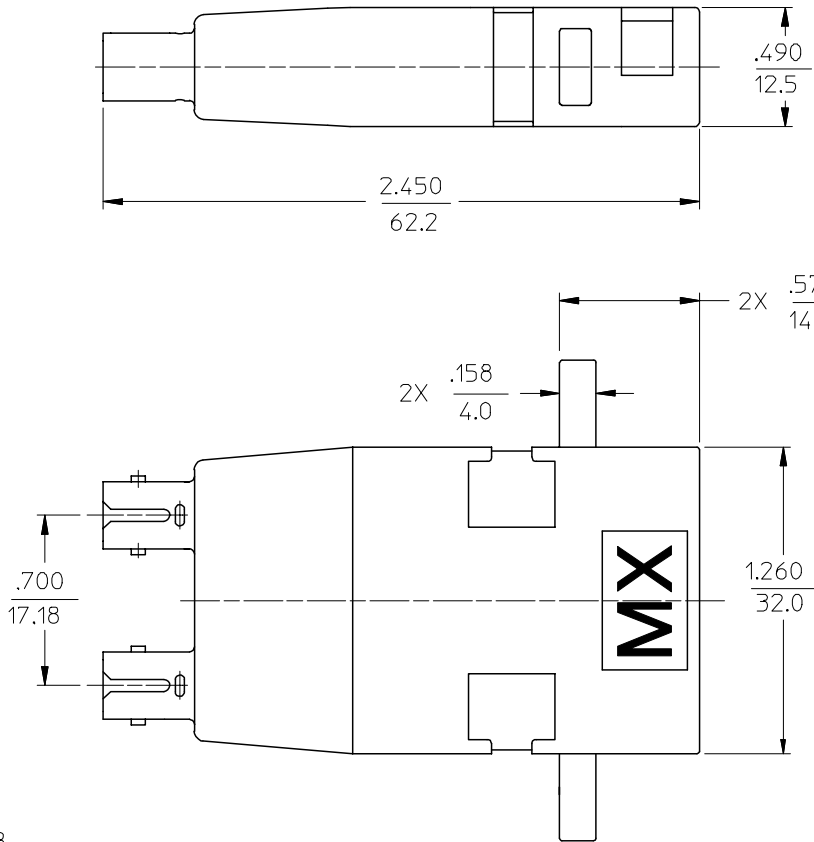


10	9	8	7	6	5	4	3	2	1
P/N of ADAPTER	MATERIAL of SLEEVE	COLOR of DUST CAP & DUST COVER							
106140-0300	CERAMIC	BLACK							
106143-0300	PLASTIC	RED							



RECOMMENDED MOUNTING HOLE

NOTES:
1. ALL DIMENSIONS ARE FOR REFERENCE ONLY EXCEPT THOSE ON MOUNTING HOLE.



ENTER DESCRIPTION EC NO: MF2006-0283 DRWN:PGIBLIN 2005/11/28 CHKD: 2005/11/28 APPR:IGUMIN 2005/11/28 A	QUALITY SYMBOLS ▽=0 ▽=0	GENERAL TOLERANCES (UNLESS SPECIFIED)		DIMENSION STYLE IN/MM	SCALE 2:1	DESIGN UNITS INCH	THIRD ANGLE PROJECTION	
		4 PLACES ± --- ± ---	DRAWN BY PGIBLIN	DATE 2005/10/26	TITLE ST-ESCON ADAPTER (SCREW MOUNT)			
		3 PLACES ± --- ± ---	CHECKED BY	DATE	APPROVED BY			
		2 PLACES ± --- ± ---	APPROVED BY		DATE	MATERIAL NO. SEE TABLE		
1 PLACE ± --- ± ---	ANGULAR ±1/2°		DRAFT WHERE APPLICABLE MUST REMAIN WITHIN DIMENSIONS		DOCUMENT NO. SD-10614X-0300	SHEET NO. 1 OF 01		
				SIZE B	THIS DRAWING CONTAINS INFORMATION THAT IS PROPRIETARY TO MOLEX INCORPORATED AND SHOULD NOT BE USED WITHOUT WRITTEN PERMISSION			