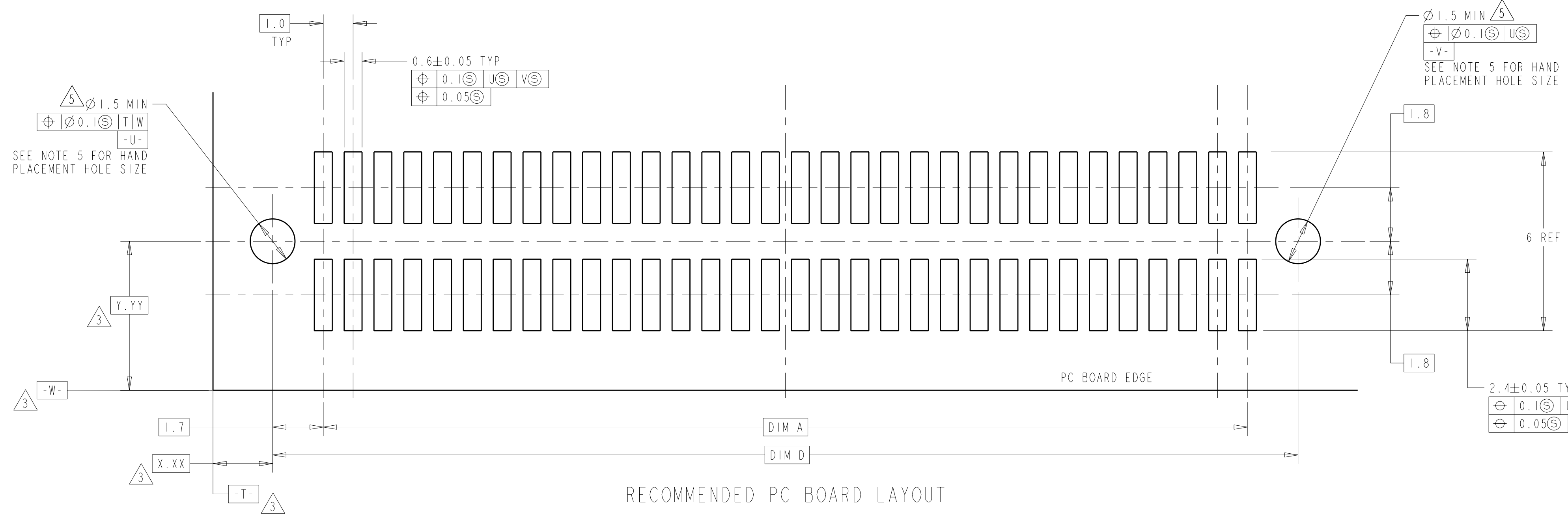
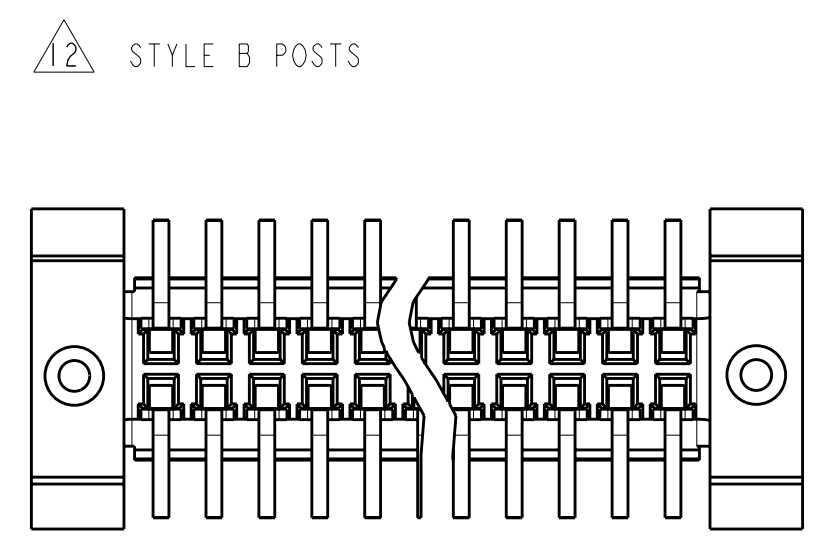
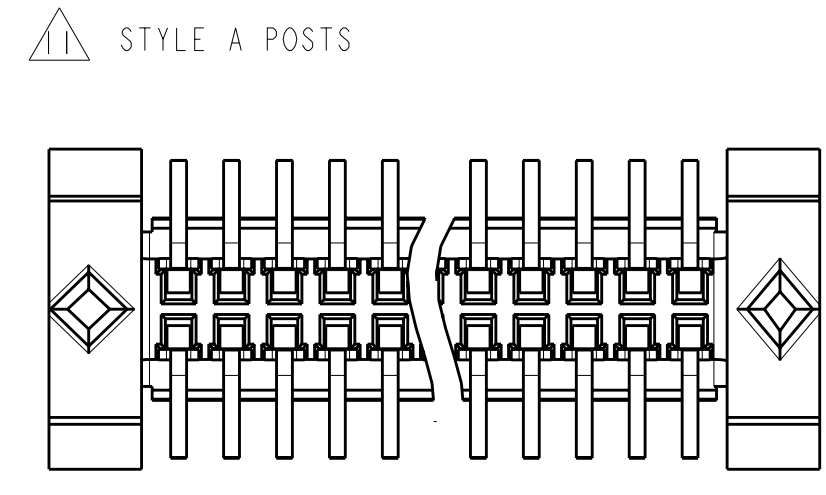
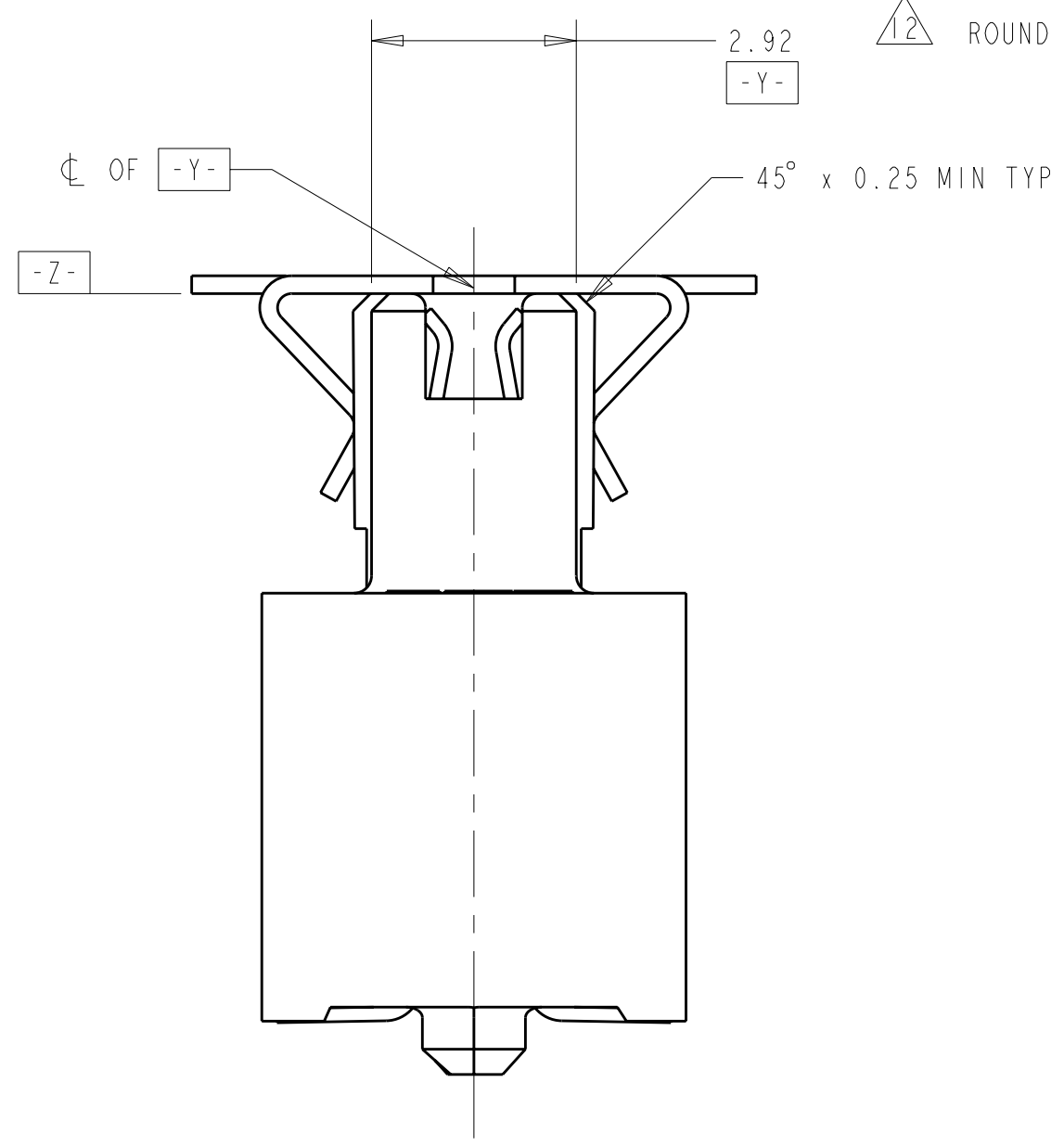
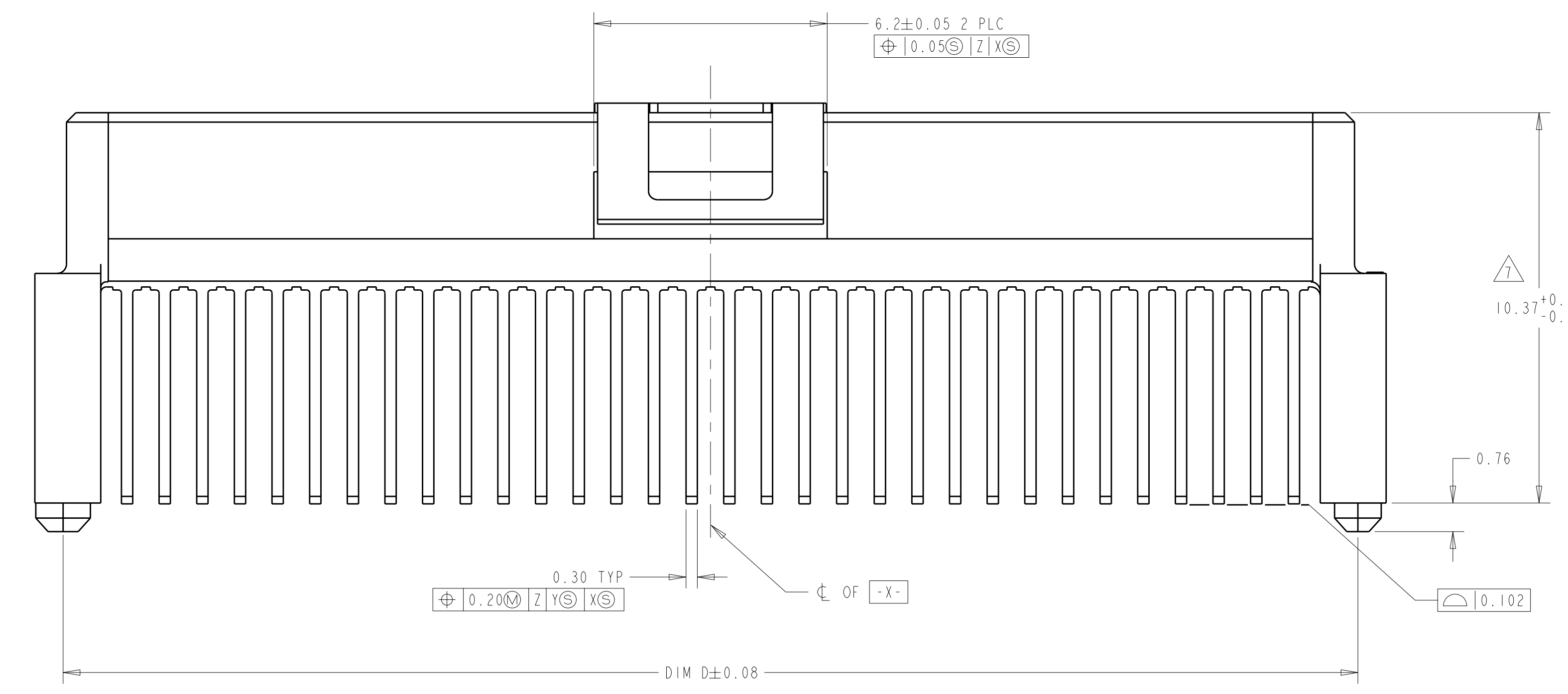
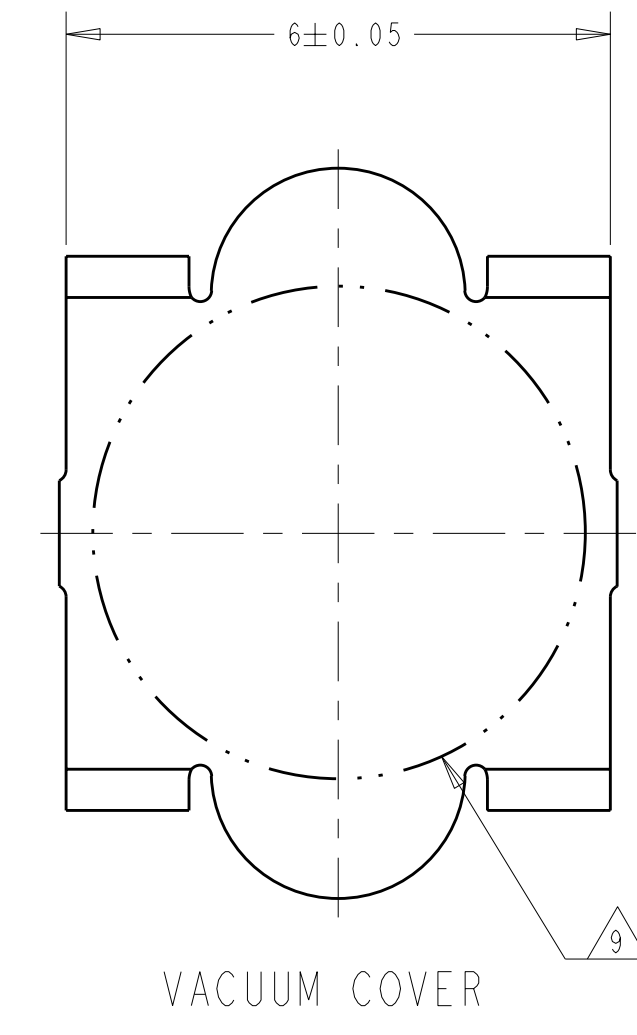
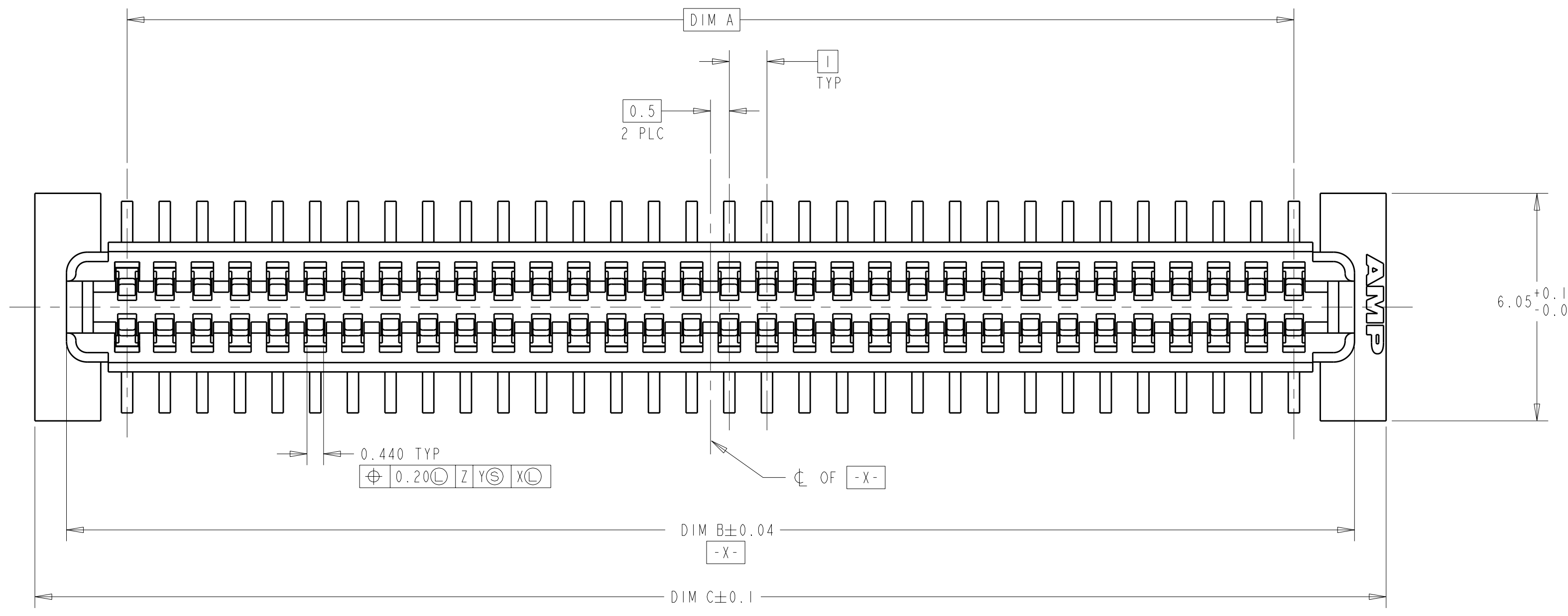


| LOC | DIST | REV | DATE | BY | APP'D |
|-----|------|-----|-----------|-----|-------|
| AD | 00 | 0 | 01OCT2004 | BC | RW |
| | | A | 22JAN2007 | BC | DB |
| | | B | 10JUL2008 | DH | DB |
| | | B1 | 25AUG2009 | AEG | DD |

- 1 HOUSING MATERIAL: HIGH TEMPERATURE THERMOPLASTIC, COLOR: BLACK. CONTACT MATERIAL: PHOSPHOR BRONZE.
- 2 CONTACT FINISH: NICKEL UNDERPLATE ALL OVER, MATING SURFACES PLATED TO MEET PL1 PERFORMANCE REQUIREMENTS OF INDUSTRY SPECIFICATION EIA-700AAAB, SOLDER TAILS PLATED TIN.
- 3 DATUM LOCATIONS AND BASIC DIMENSIONS TO BE ESTABLISHED BY THE CUSTOMER, CONSULT AMP ENGINEERING WHEN PLACING MULTIPLE CONNECTORS ON A PC BOARD.
- 4 PACKAGED IN TAPE ON REEL PER EIA-481.
- 5 1.4±0.05 DIAMETER HOLE WHEN PLACING BY HAND.
- 6 SHORTER SOLDER LANDS MAY BE USED PER EIA 700AAAB, HOWEVER 2.4 LENGTH ASSURES OPTIMUM SOLDER FILLET REGARDLESS OF MANUFACTURER OF CONNECTOR.
- 7 REFERRED TO AS DIM H = 5.30±0.1 IN EIA 700AAAB SPECIFICATION.
- 8 VACUUM COVER NOT SHOWN IN SOME VIEWS FOR CLARITY.
- 9 5.5 MIN DIAMETER TARGET AREA FOR VACUUM PICK-UP.
- 10 CONTACT FINISH: 0.00381 MINIMUM MATTE TIN PER ASTM B 545 ON SOLDER AREA. 0.00127 MINIMUM GOLD PER ASTM B 488 ON MATING AREA. BOTH OVER 0.00127 MINIMUM NICKEL PER SAE-AMS-QQ-N-290 ON ENTIRE CONTACT.
- 11 SQUARE AND DIAMOND SHAPED POSTS
- 12 ROUND SHAPED POSTS



| POST STYLE | FINISH | DIM D | DIM C | DIM B | DIM A | STACK HEIGHTS | POS | PART NUMBER |
|------------|--------|-------|-------|-------|-------|---------------|-----|-------------|
| 12 | 10 | 44.4 | 44.4 | 44.22 | 41 | 14, 15 | 84 | 3-5146896-2 |
| 12 | 10 | 34.4 | 35.9 | 34.22 | 31 | 14, 15 | 64 | 3-5146896-1 |
| 12 | 2 | 44.4 | 44.4 | 44.22 | 41 | 14, 15 | 84 | 2-5146896-2 |
| 12 | 2 | 34.4 | 35.9 | 34.22 | 31 | 14, 15 | 64 | 2-5146896-1 |
| 11 | 10 | 44.4 | 45.9 | 44.22 | 41 | 14, 15 | 84 | 1-5146896-2 |
| 11 | 10 | 34.4 | 35.9 | 34.22 | 31 | 14, 15 | 64 | 1-5146896-1 |
| 11 | 2 | 44.4 | 45.9 | 44.22 | 41 | 14, 15 | 84 | 5146896-2 |
| 11 | 2 | 34.4 | 35.9 | 34.22 | 31 | 14, 15 | 64 | 5146896-1 |

THIS DRAWING IS UNPUBLISHED. RELEASED FOR PUBLICATION BY TYCO ELECTRONICS CORPORATION, ALL RIGHTS RESERVED.

| | | | | | |
|-------------|---|------|---------|------------------|---|
| DIMENSIONS: | TOLERANCES UNLESS OTHERWISE SPECIFIED: | DWN | 01OCT04 | | Tyco Electronics Corporation Harrisburg, PA 17105-3608 |
| mm | 9 PLC ± 1 PLC ±0.03 5 PLC ±0.003 4 PLC ± | CHK | 01OCT04 | | NAME |
| MATERIAL | FINISH | APVD | 01OCT04 | SIZE | CAGE CODE DRAWING NO |
| | SEE TABLE | | | A11 | 00779 C=5146896 |
| | | | | CUSTOMER DRAWING | SCALE 10:1 SHEET 1 OF 1 REV B1 |