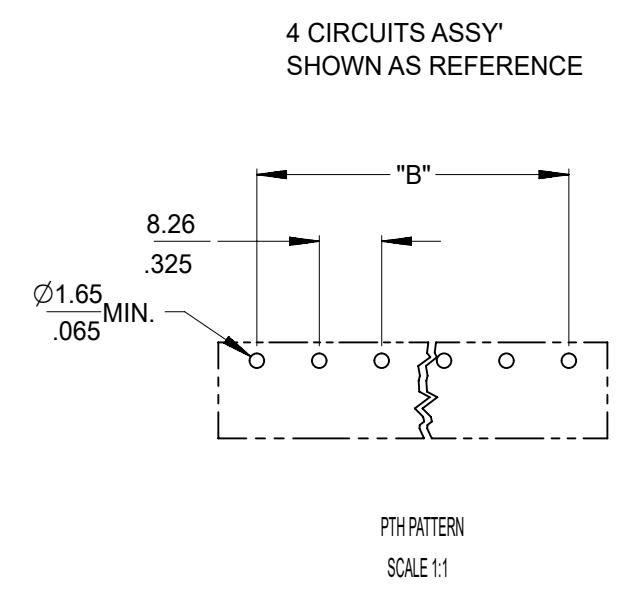
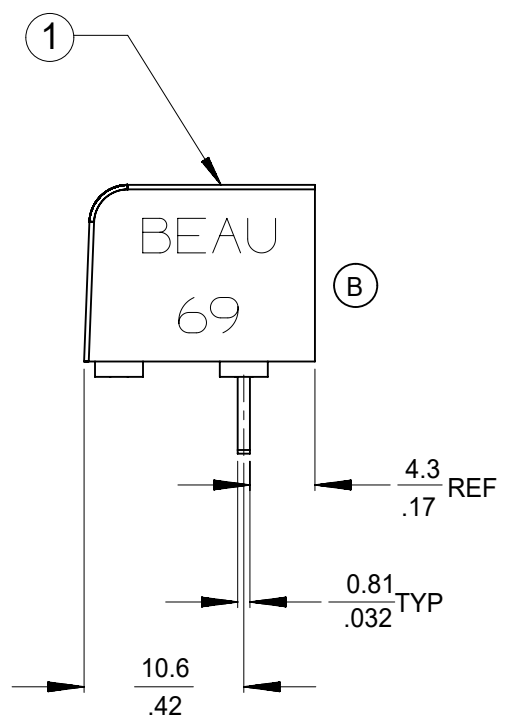
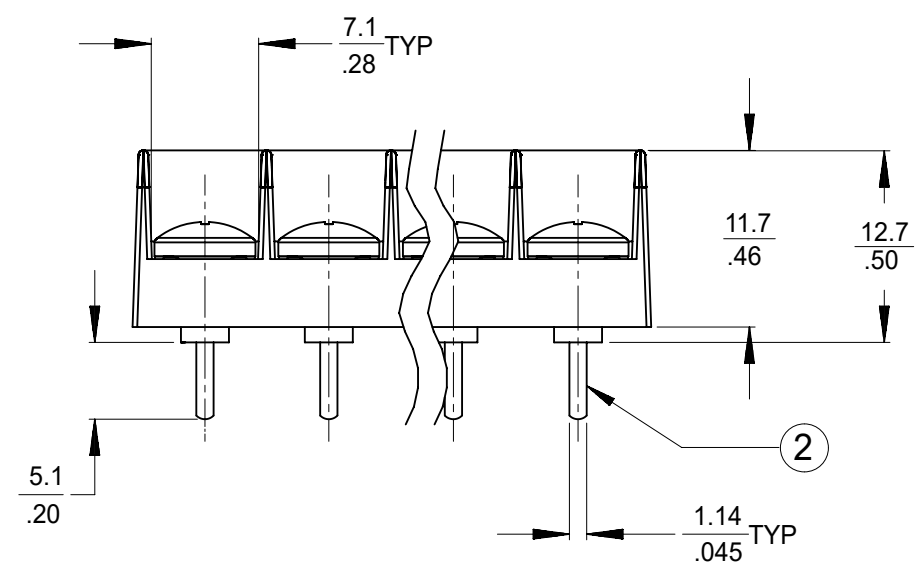
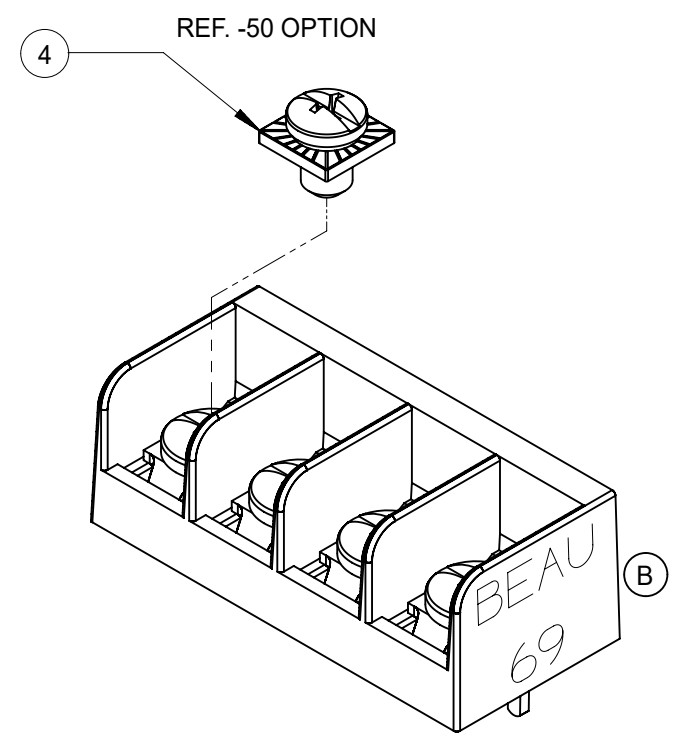
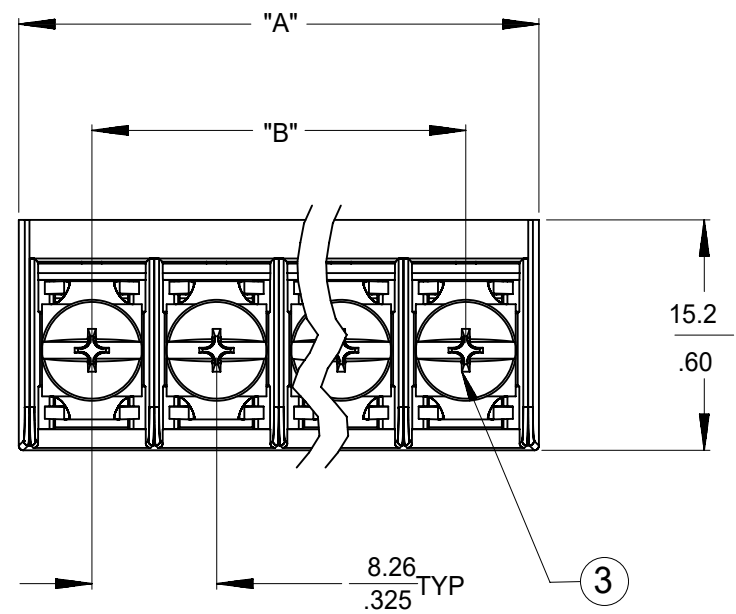


| NO. OF CIRCUITS | DIM. "A" | | DIM. "B" | | ASSEMBLY MATERIAL NO. (STANDARD) | ASSEMBLY MATERIAL NO. (-50 OPT) |
|-----------------|----------|------|----------|------|----------------------------------|---------------------------------|
| | mm | in | mm | in | | |
| 02 | 17.9 | .71 | 8.3 | .33 | | 386907802 |
| 03 | 26.2 | 1.03 | 16.5 | .65 | | 386907803 |
| 04 | 34.4 | 1.36 | 24.8 | .98 | | 386907804 |
| 06 | 50.9 | 2.01 | 41.3 | 1.63 | | 386907806 |
| 08 | 67.4 | 2.66 | 57.8 | 2.28 | | 386907808 |
| 09 | 75.7 | 2.98 | 66.0 | 2.60 | | 386907809 |
| 14 | 117.0 | 4.61 | 107.3 | 4.23 | 386906614 | |
| 15 | 125.2 | 4.93 | 115.6 | 4.55 | | 386907815 |
| 16 | 133.5 | 5.26 | 123.8 | 4.88 | | 386907816 |



- NOTES:
 1. MATERIAL: SEE TABLE
 2. FINISHES: SEE TABLE.
 3. "XX" REFERS TO THE QUANTITY OF CIRCUITS.
 4. ROHS COMPLIANT.

| ITEM | QTY. | DESCRIPTION | MATERIAL | FINISH |
|------|------|--|-----------------|--------------------|
| 4 | XX | SCREW #6-32X.155 PAN PHSLZN/BR/STEEL -50 OPT | STEEL | ZN, CLEAR CHROMATE |
| 3 | XX | SCREW #6-32X.160 PAN PHSLNI/BRASS (STANDARD) | BRASS | NICKEL PLATE |
| 2 | XX | TERMINAL, PC | BRASS | TIN PLATE |
| 1 | 1 | INSULATOR | POLYESTER (PBT) | BLACK |

THIS DRAWING CONTAINS INFORMATION THAT IS PROPRIETARY TO MOLEX ELECTRONIC TECHNOLOGIES, LLC AND SHOULD NOT BE USED WITHOUT WRITTEN PERMISSION

| | | | | | |
|--|------------------------|---|---|-----------------|----------------|
| DIMENSION UNITS MM/IN | SCALE 2:1 | CURRENT REV DESC: OBSOLETE PART NUMBERS AS PER PCN#510807 | molex | | |
| GENERAL TOLERANCES (UNLESS SPECIFIED) | | | | | |
| 4 PLACES ± | | | 8.26/.325 SR TRI-BARRIER TERMINAL STRIP CS, PC ASSY | | |
| 3 PLACES ± | | | PRODUCT CUSTOMER DRAWING | | |
| 2 PLACES ± 0.13 | ± 0.01 | | DOCUMENT NUMBER | | |
| 1 PLACE ± 0.3 | ± | | SD-38690-001 | | |
| 0 PLACES ± | ± | | DOC TYPE | DOC PART | REVISION |
| ANGULAR TOL ± 2.0° | | | PSD | 001 | B1 |
| DRAFT WHERE APPLICABLE MUST REMAIN WITHIN DIMENSIONS | THIRD ANGLE PROJECTION | DRAWING | SERIES | MATERIAL NUMBER | CUSTOMER |
| | | B-SIZE | 38690 | SEE CHART | GENERAL MARKET |
| | | | | | SHEET NUMBER |
| | | | | | 1 OF 1 |