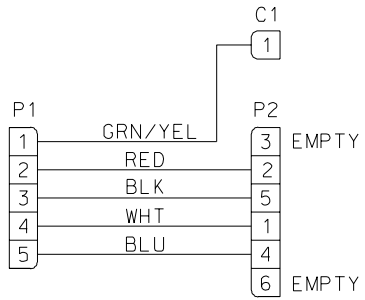
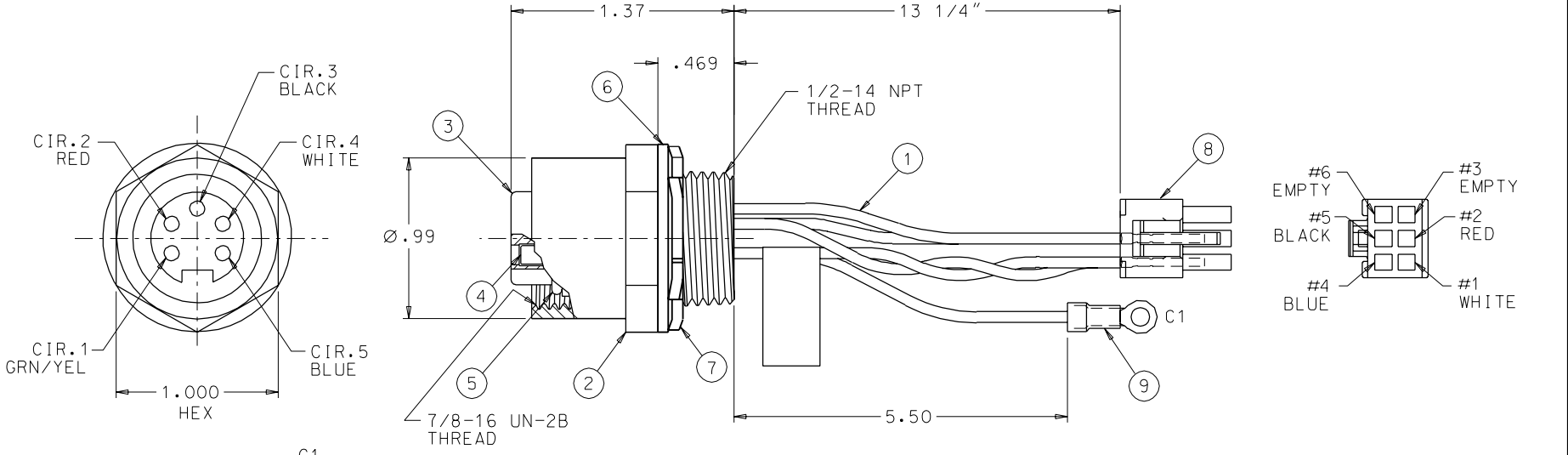


10	9
MOLEX PART NO.	MILLER ELECTRIC PART NO.
849150076	198 956

REV	DATE	ECN NO.	APPVD BY	REL BY
A	3-6-00	UM2000-0466 PROD. REL.	FVW	
B	2-9-01	UM2001-0241		



WIRING DIAGRAM

UL AND C(UL) RECOGNIZED SPECIFICATIONS:
 VOLTAGE RATING-250V
 CURRENT RATING-4 AMPS

1. RECOMMENDED MOUNTING HOLE SIZE: .875"/.844" DIAMETER.

NOTES: UNLESS OTHERWISE SPECIFIED

ITEM	QTY	DESCRIPTION	MATERIAL/FINISH
9	1	TERMINAL, RING TONGUE, #10 STUD	PVC INSULATED
8	1	CONNECTOR, DUAL ROW	NYLON
7	1	LOCKNUT	STEEL/ZINC PLATED
6	1	GASKET	NEOPRENE
5	1	O-RING/SEAL	BUNA-N/COLOR:BLACK
4	5	CONTACT, SOCKET	CU ALLOY/GOLD PLATED
3	1	INSERT, 5/C	PVC/COLOR:GRAY
2	1	RCPT. SHELL, INT. THDS.	ALUMINUM/BLACK ANODIZE
1	SEE ABOVE	WIRE, 22 AWG.	PVC INSULATED

QUALITY SYMBOLS MAJOR CRITICAL SPC	UNLESS SPECIFIED: ALL DIMENSIONS IN INCHES GENERAL TOLERANCES: 3 PLACE ±.005 2 PLACE ±.01 ANGULAR ±2°	SCALE: --- DWG SIZE: B THIRD ANGLE PROJECTION	REVISE ON CAD ONLY TITLE: MINI-C, RECEPTACLE, FEMALE, 5 POLE, 22 AWG., DEVICE NET
	DRAWN BY & DATE: GF 3-6-00 CHECKED BY & DATE: DW 3-6-00 APPROVED BY & DATE: DW 3-6-00	MOLEX INCORPORATED Orange, CA 92868	
	Uni-Mate CAGE CODE: 58967	PART NO.: SEE CHART DRAWING NO.: SD-84915-0076	SHEET NO.: 1 OF 1
	THIS DRAWING CONTAINS INFORMATION THAT IS PROPRIETARY TO MOLEX INCORPORATED AND SHOULD NOT BE USED WITHOUT WRITTEN PERMISSION.		