



RAYCHEM

TE Internal #: 9437153001

Hook Up Wire, Spec 100G, 750/1300V Voltage Rating, Tin-Plated Copper, 13 AWG Wire Size, 2.5 mm² Wire Size, Operating Temperature Range -55 – 125 °C

[View on TE.com >](#)

Wire & Cable > Hook Up Wire



Cable Type: **Spec 100G**

Voltage Rating: **750/1300 V**

Wire & Cable Insulation Material: **Halogen-Free Polymer**

Conductor Material: **Tin-Plated Copper**

Wire Size: **13 AWG**

Features

Product Type Features

Cable Style	Primary
Product Type	Cable
Product Classification	Cable - Spec 99 & 100

Configuration Features

Number of Conductors	1
Number of Strands	37

Electrical Characteristics

Voltage Rating	750/1300 V
----------------	------------

Body Features

Wire & Cable Insulation Material	Halogen-Free Polymer
Conductor Material	Tin-Plated Copper
Wire Color (Base)	Blue

Dimensions

Overall Outside Diameter	2.59 mm[.102 in]
Wire Diameter	2.59 mm[.102 in]
Conductor Diameter	1.93 mm[.076 in]
Cable Insulation Thickness	.25 mm



Strand Size	37 AWG
-------------	--------

Wire Size	2.5 mm ²
-----------	---------------------

Usage Conditions

Cable Type	Spec 100G
------------	-----------

Operating Temperature Range	-55 – 125 °C
-----------------------------	--------------

Other

Wire Source	United Kingdom
-------------	----------------

Product Compliance

[For compliance documentation, visit the product page on TE.com>](#)

EU RoHS Directive 2011/65/EU	Compliant
------------------------------	-----------

EU ELV Directive 2000/53/EC	Compliant
-----------------------------	-----------

China RoHS 2 Directive MIIT Order No 32, 2016	No Restricted Materials Above Threshold
---	---

EU REACH Regulation (EC) No. 1907/2006	Current ECHA Candidate List: JUNE 2023 (235) Candidate List Declared Against: JUNE 2023 (235) Does not contain REACH SVHC
--	---

Halogen Content	Out of Scope - excluded from Halogen requirements
-----------------	---

Solder Process Capability	Not applicable for solder process capability
---------------------------	--

Product Compliance Disclaimer

This information is provided based on reasonable inquiry of our suppliers and represents our current actual knowledge based on the information they provided. This information is subject to change. The part numbers that TE has identified as EU RoHS compliant have a maximum concentration of 0.1% by weight in homogenous materials for lead, hexavalent chromium, mercury, PBB, PBDE, DBP, BBP, DEHP, DIBP, and 0.01% for cadmium, or qualify for an exemption to these limits as defined in the Annexes of Directive 2011/65/EU (RoHS2). Finished electrical and electronic equipment products will be CE marked as required by Directive 2011/65/EU. Components may not be CE marked. Additionally, the part numbers that TE has identified as EU ELV compliant have a maximum concentration of 0.1% by weight in homogenous materials for lead, hexavalent chromium, and mercury, and 0.01% for cadmium, or qualify for an exemption to these limits as defined in the Annexes of Directive 2000/53/EC (ELV). Regarding the REACH Regulation, the information TE provides on SVHC in articles for this part number is based on the latest European Chemicals Agency (ECHA) 'Guidance on requirements for substances in articles' posted at this URL: <https://echa.europa.eu/guidance-documents/guidance-on-reach>

Compatible Parts



TE Part # 650076-000
D-436-38

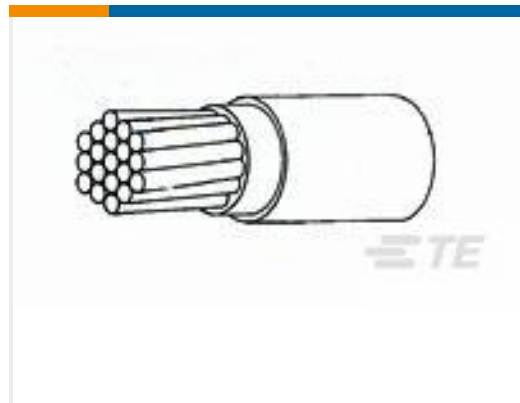
Customers Also Bought



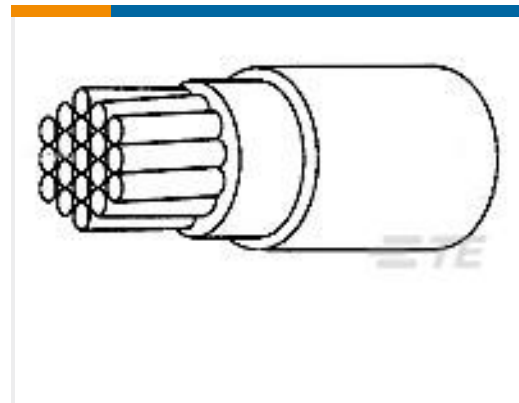
TE Part #2160253004
55A0111-26-6



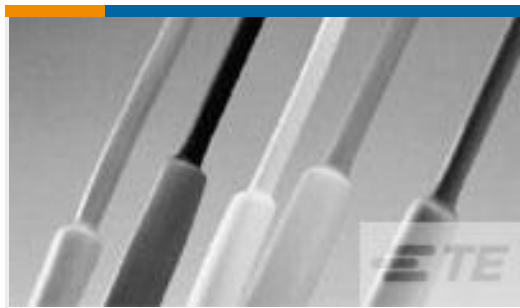
TE Part #2820003010
44A0111-16-0



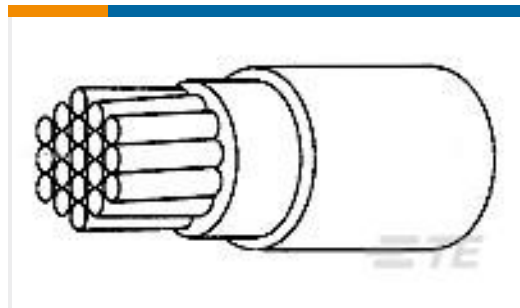
TE Part #2820093010
44A0111-16-9



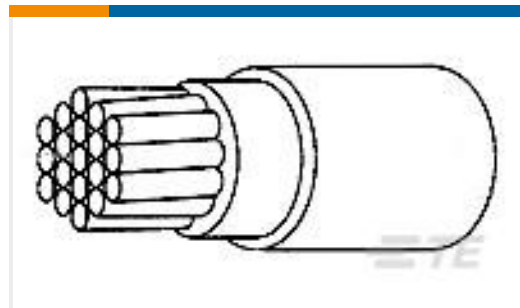
TE Part #7402913001
99M0111-22-0



TE Part #1941974001
ZH-100-1-0-SP



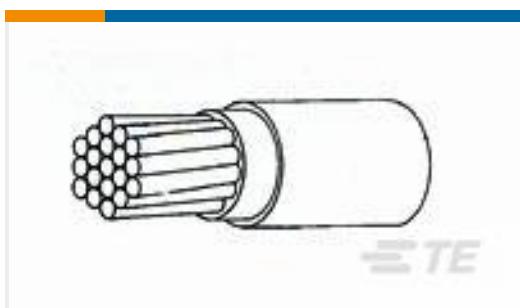
TE Part #9675813001
100G0111-0.50-6



TE Part #7627653001
99M0111-22-2



TE Part #1SNA190002R2100
D70/32.FF



TE Part #9656663001
44A0111-16-9CK0001



TE Part #NB26702001
TFER-3/4-X-STK

Documents

Product Drawings

[100G0111-2.50-6](#)

English

Datasheets & Catalog Pages

[1654025_Sec9_Zerohal100G](#)

English

[Raychem Wire and Cable Quick Reference Guide](#)

English

100G0111-2.50-6

Hook Up Wire, Spec 100G, 750/1300V Voltage Rating, Tin-Plated Copper, 13 AWG
Wire Size, 2.5 mm² Wire Size, Operating Temperature Range -55 – 125 °C

