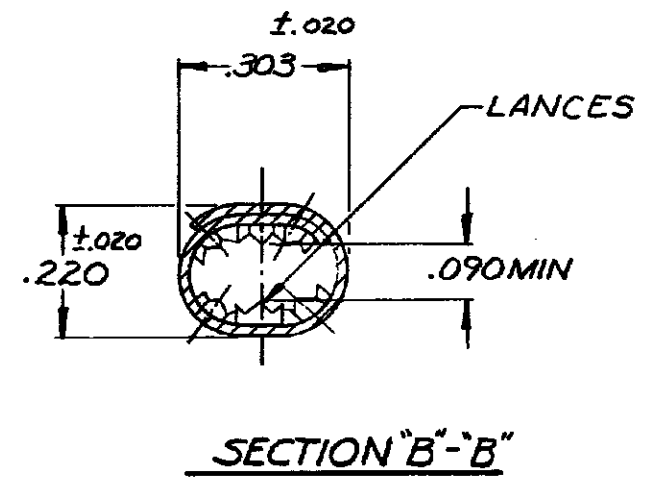
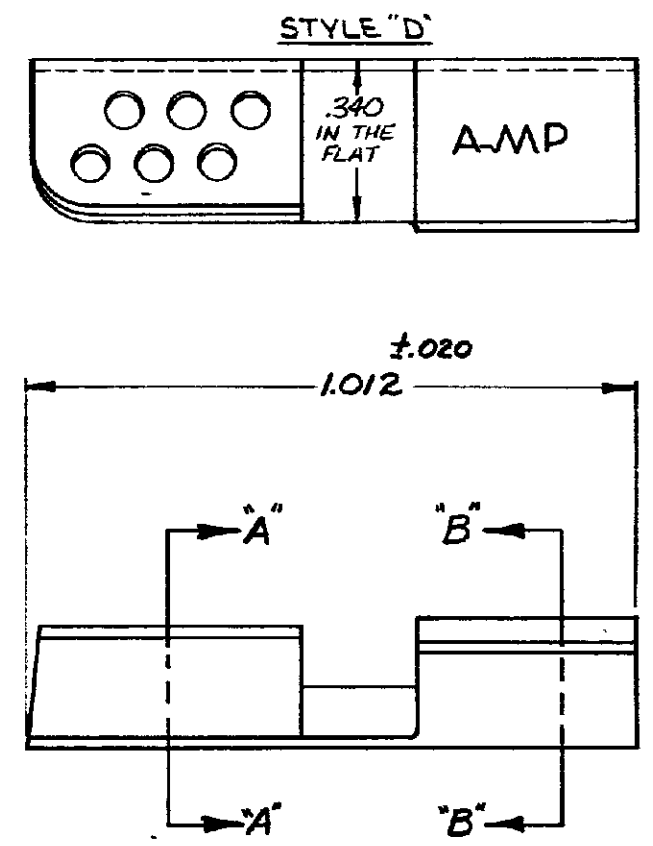
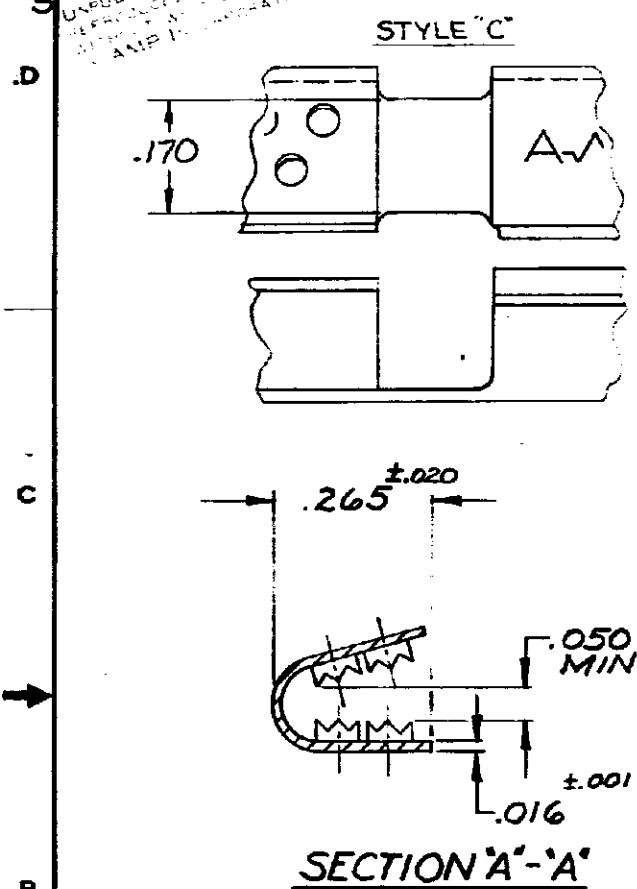


DRAWING MADE IN AMERICAN PROJECTION

© 1965 BY AMP INCORPORATED. ALL RIGHTS RESERVED. AMP PRODUCTS COVERED BY PATENTS AND/OR PATENTS PENDING.

REVISIONS				
ZONE	LTR	DESCRIPTION	DATE	APPROVED
	B	NPS 73-0008	7-2-73	<i>[Signature]</i>
	C	REVISED PER ECN P-7615	11/20/75	2-11-26-75



PART NO.	STYLE
1-332006-2	"D"
1-332006-0	"C"

UNLESS OTHERWISE SPECIFIED DIMENSIONS ARE IN INCHES:  
 TOLERANCES ON:  
 DECIMALS ±.008  
 ANGLES ±5°

MATERIAL  
 COPPER (QQ-C-576)  
 TIN PLATE (MIL-T-10727)  
 .0001 MIN THK.

CONTRACT NO. #

DR. *Shawna Podes* 7-2-73

CHK. *[Signature]* 7-2-73

APPD. *Abel* 7-2-73

REL. *[Signature]* 7-9-72

DSGN APPD

OTHER APPD

**AMP** AMP INCORPORATED  
 HARRISBURG, PENNSYLVANIA

NAME: **TERMI-FOIL BOND CLIP**  
 CMA=6925

SIZE	CODE IDENT NO.	NUMBER
<b>B</b>	<b>00779</b>	<b>332006</b>

SCALE 4:1 SHEET 1 OF 1